



# SZOMK



85g

AK-H-60

▶ Enclosure Manufacturer  
[www.chinaenclosure.com](http://www.chinaenclosure.com)

# SZOMK

Customizable  
cutout, sticker  
silkscreed, color



Weight: 85g

Model No. AK-H-60

Size: 180\*81\*45mm

7\*3.2\*1.7inch

# SZOMK



# SZOMK



**SZOMK**



**SZOMK**



**SZOMK**

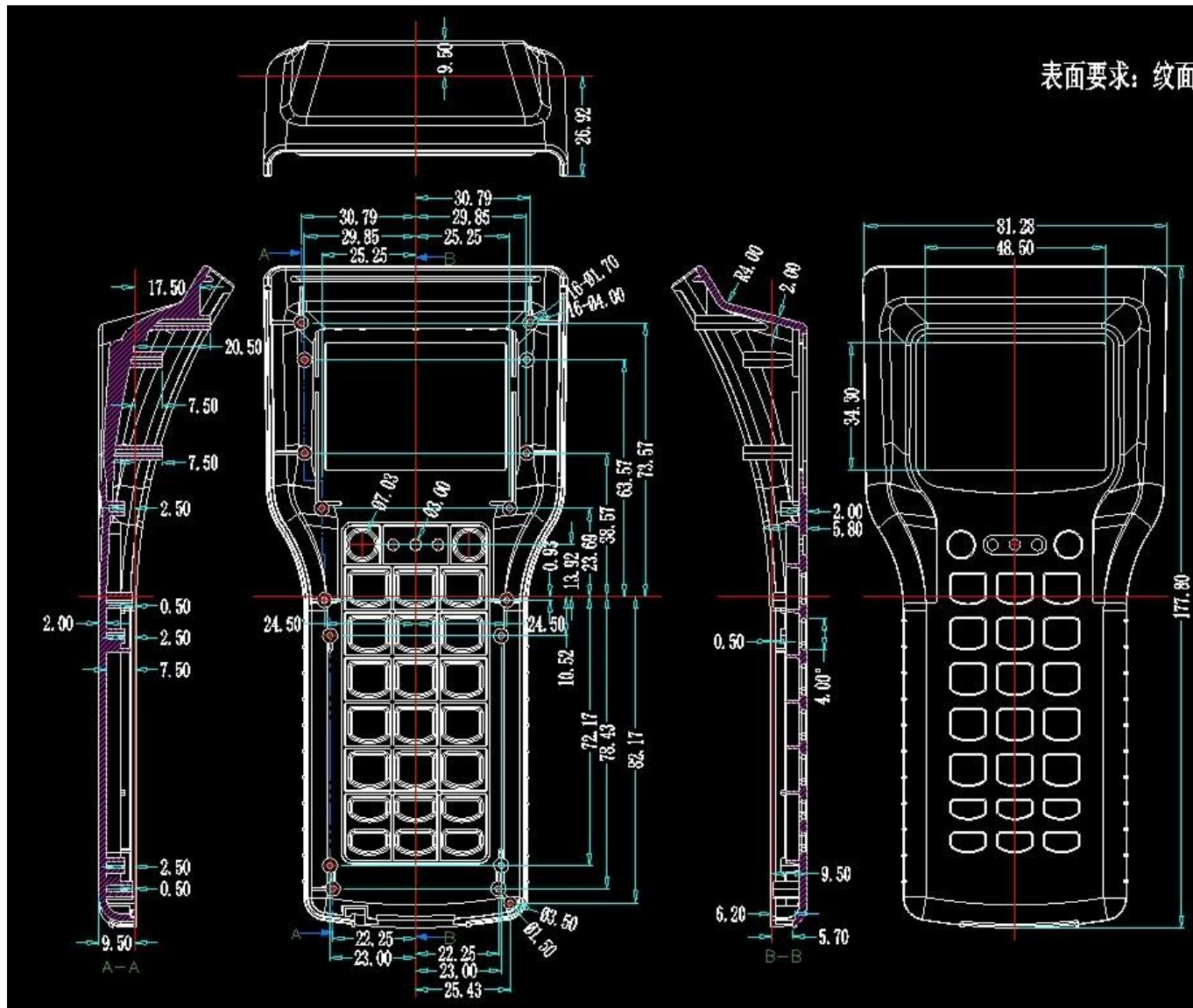




**SZOMK**



表面要求：纹面







*Plate*



*Silkscreen*



*Sticker*

*We can do  
customize*

*Cutout*



*Silicone Seals*



*Color*



# We can do customize

Cut holes  
Silkscreen  
Sticker



# We can do customize

change the color



# We can do customize

PVC lable  
Acrylic plate  
Sticker



# We can do customize

Cut holes  
Silkscreen  
Laser carve





**We can do customize**

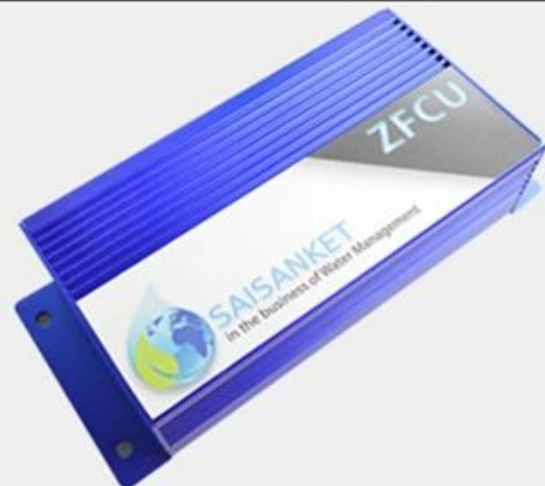


**UV  
Protection**



# We can do customize

Cut holes  
Silkscreen  
Sticker







## Company Information



### Shenzhen Futian Huaqiang Electronic World OMK Electronic Sales Department

This complex, during long years of efforts with its own experienced group and sole facilities for improvement of productions and promotion of products quality, is now one of the largest suppliers of all kinds of metallic and plastic enclosures in different fields of electronic, electrical, communication, medical, industrial and research projects purposes.

In today's industrial world and with the rapid development of all industries, the need of these products is sensed more than ever. Therefore by offering the best quality and service, we try to meet these needs and help you to reach your ideals.

## Exhibition



## Certificate



## Factory and showroom



## Packaging & Shipping



Shenzhen Futian Huaqiang Electronic World OMK  
Electronic Sales Department

Tel: +86-755-83222882 E-mail: [hyj@szomk.com.cn](mailto:hyj@szomk.com.cn)



# SZOMK

## Our packaging

Plastic foam packaging



Metal shell packaging

Plastic box packaging





QQ

2033950667



Tel

81-755-83222882  
+86 15361444713



Add

16-6Floor, 505Building, Shangbu In dustry  
Area, Hangtian RD, Futian District , Shenzhen  
China



Email

william@szomk.ent



Skype

szomk-002

24