

# SZOMK OEM ABS PCB AK-W-17 200X145X64mm



1. [Empty box]
2. [Empty box]
3. [Empty box]
4. [Empty box]
5. [Empty box]
6. [Empty box]



[Empty line]  
[Empty line]  
[Empty line]

**SZOMK**



▶ **Enclosure Manufacturer**  
[www.chinaenclosure.com](http://www.chinaenclosure.com)

**SZOMK**



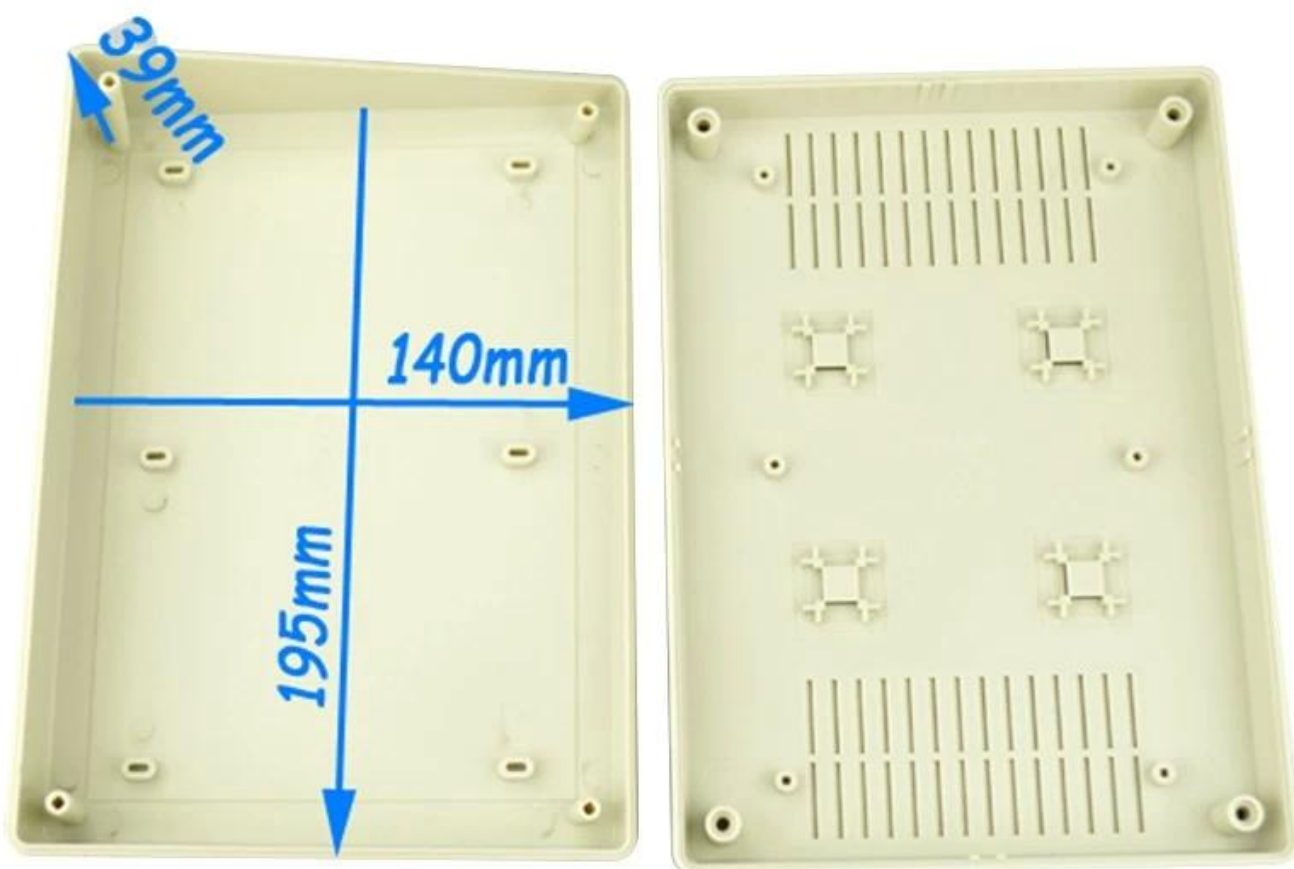
**SZOMK**



**SZOMK**

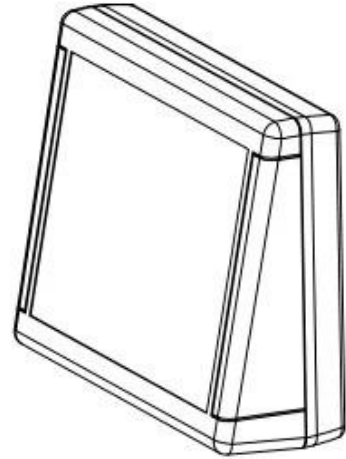
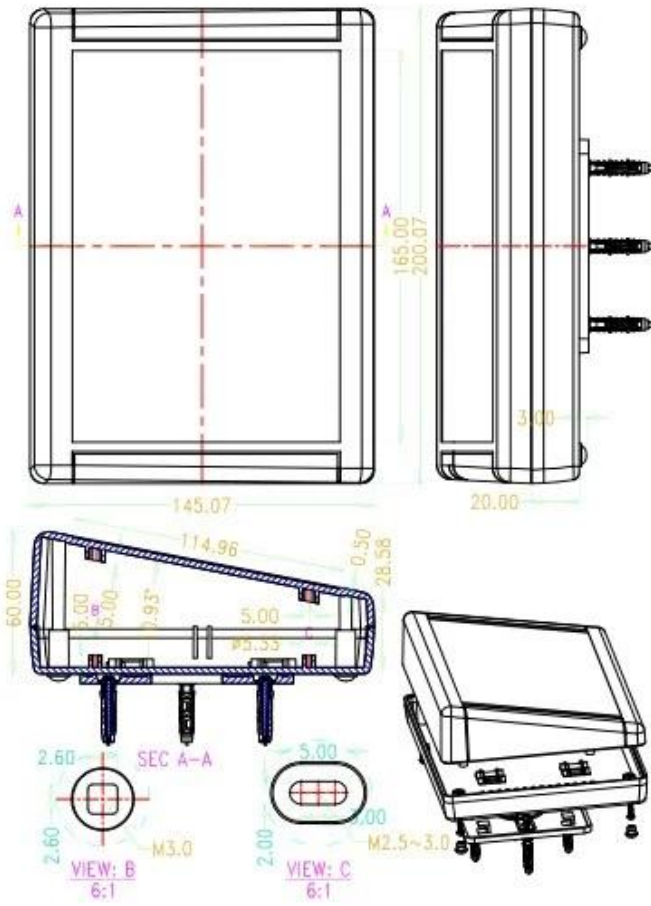


# SZOMK

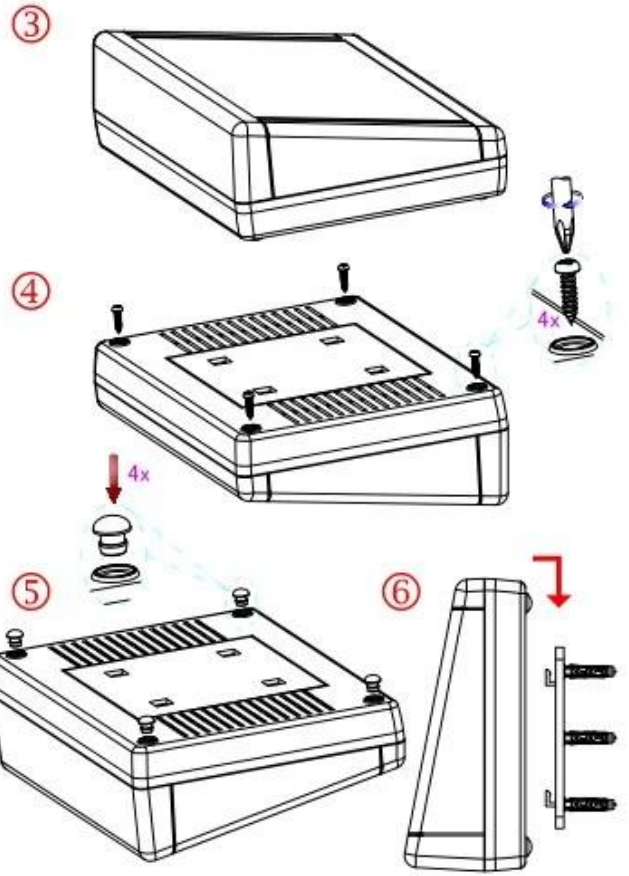
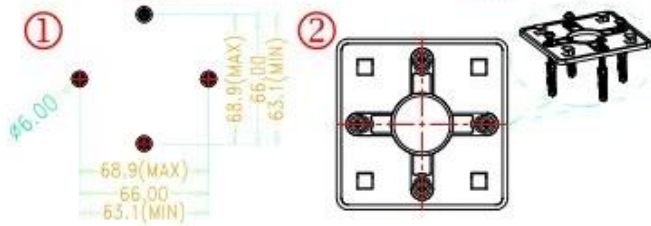
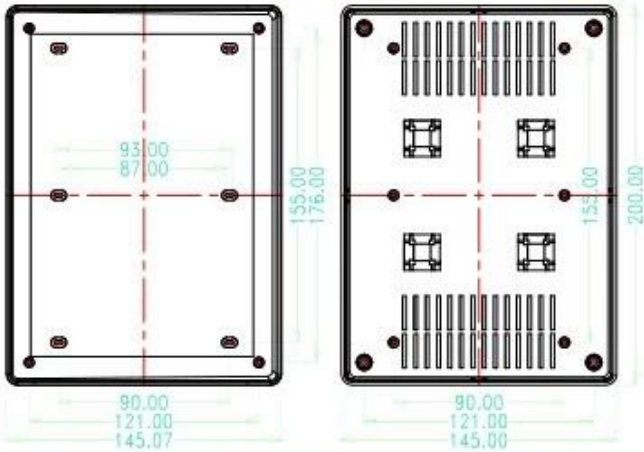


szomk.004@gmail.com

# BMW 50002



## Accessories





T/T, WESTERN UNION, MONEY  
GRAM AND PAYPAL ACCPETED.

Skype: 13691908477

Tel: 86-13691908477

Email: felix@chinaenclosure.com

[Contact Us](#)