

SZOMK



▶ **Enclosure Manufacturer**
www.chinaenclosure.com

SZOMK

Customizable
cutout, sticker
silkscreen, color



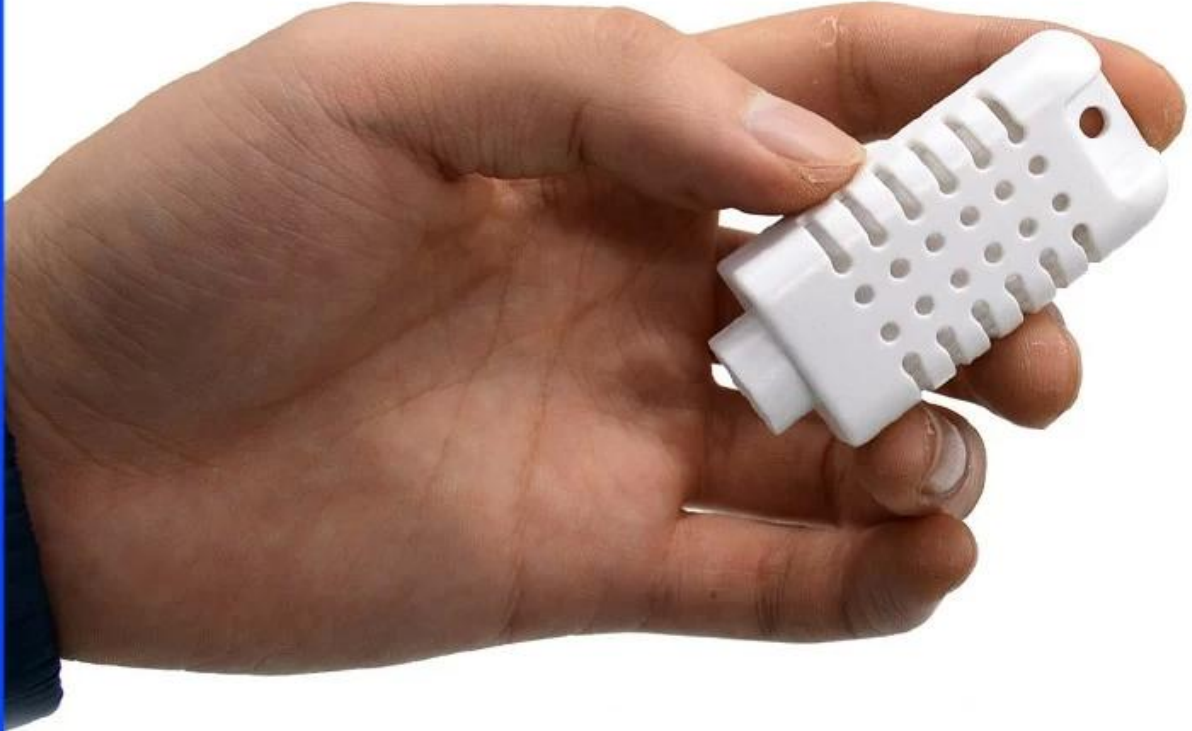
Weight: 8g
Model No. AK-N-22

Size: 2.32*1.02*0.47 inch
59*26*12 mm

SZOMK

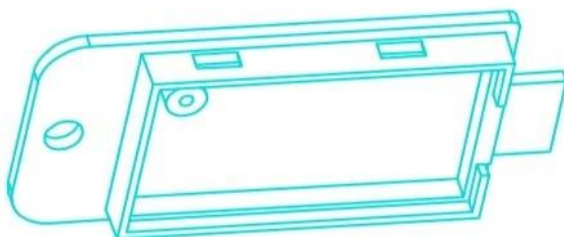
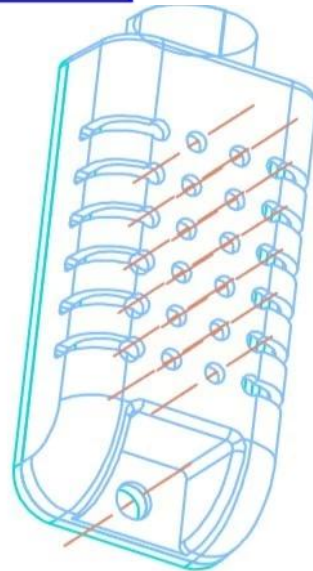
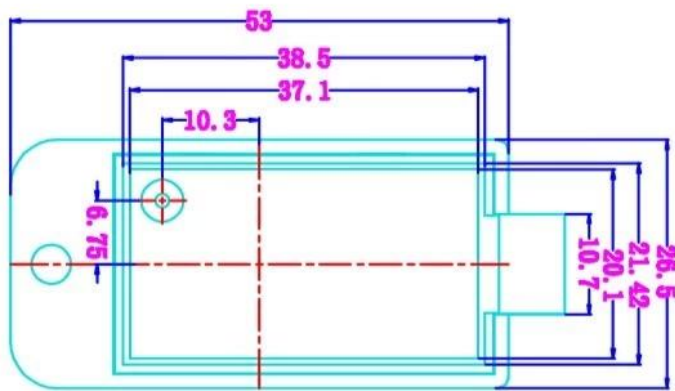
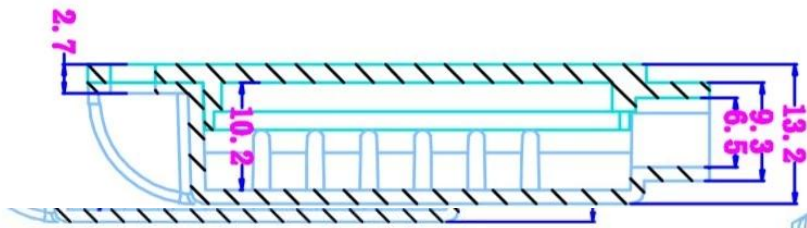
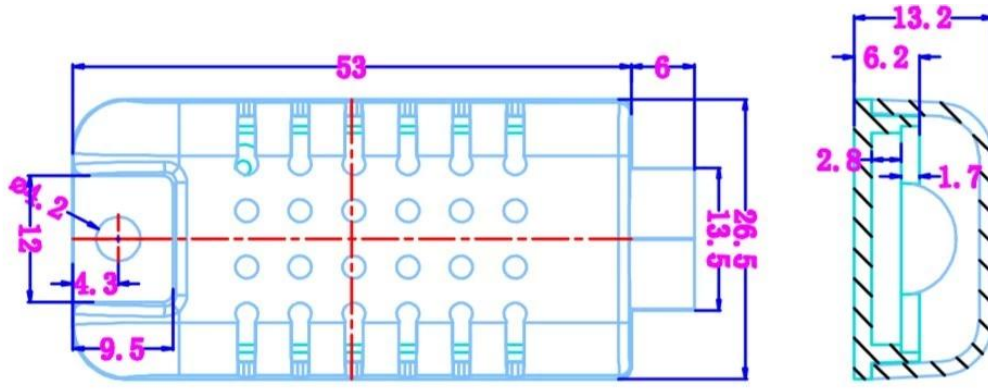


SZOMK



SZOMK





□□□□□□□□

- 1. □□□□□□□□□□
- 2. □□□□□□□□□□□□□□
- 3. □□□□□□□□□□□□□□□□□□□□□□□□□□□□□□□□



QQ

2110283100



Tel

81-755-83222882
+86 18819074698



Add

16-6Floor, 505Building ,Shangbu Industry
Area, Hangtian RD, Futian District ,Shenzhen
China



Email

teddy@szomk.net



skype

teddy@szomk.net



WeChat

teddy07277

