

It is widely used in electronic, instrumentation, automation, communications, power supply units, student projects, amplifiers, Medical and wellness devices, test and measurement equipment, industrial control, peripheral devices and interfaces, switch boxes.



ABS

- 1.
- 2.
- 3.

- 1 Drilling Punching
- 2
- 3 3-5
- 4

ABS

SZOMK



▶ **Enclosure Manufacturer**
www.chinaenclosure.com

SZOMK

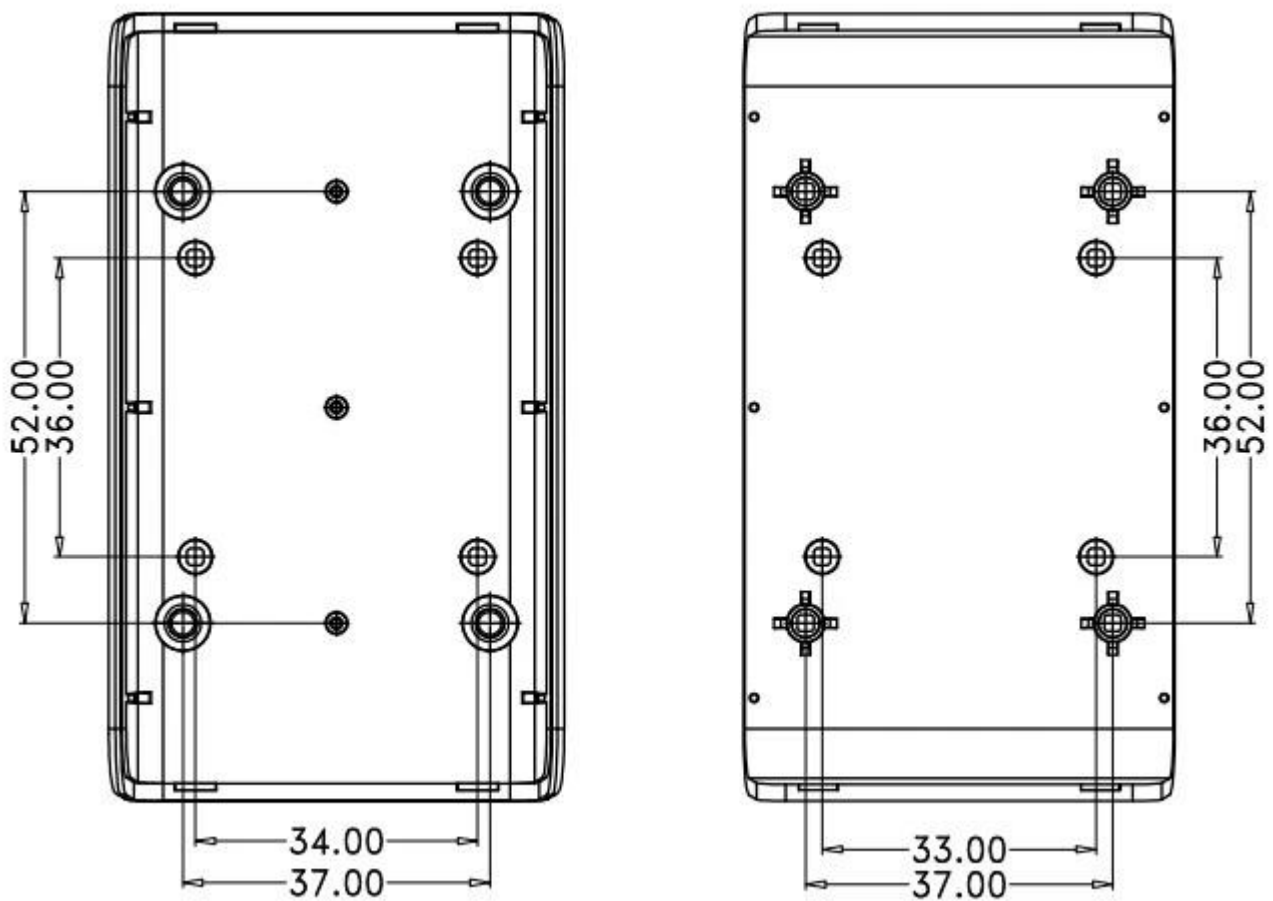
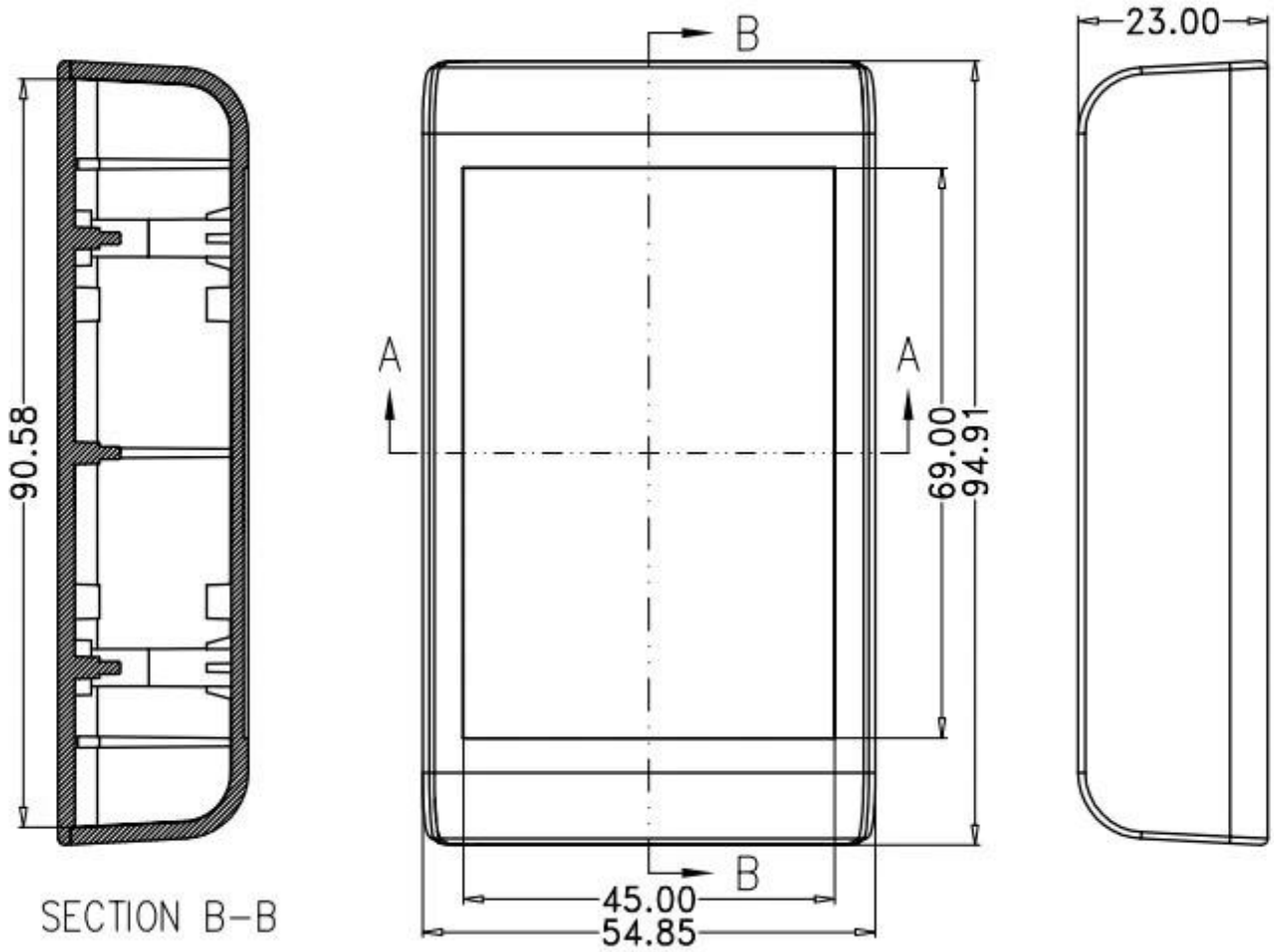
Customizable
cutout, sticker
silkscreen, color

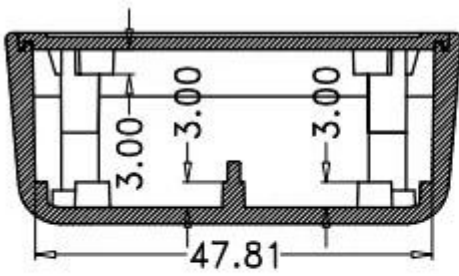


Weight: 36g
Model No. AK-S-02

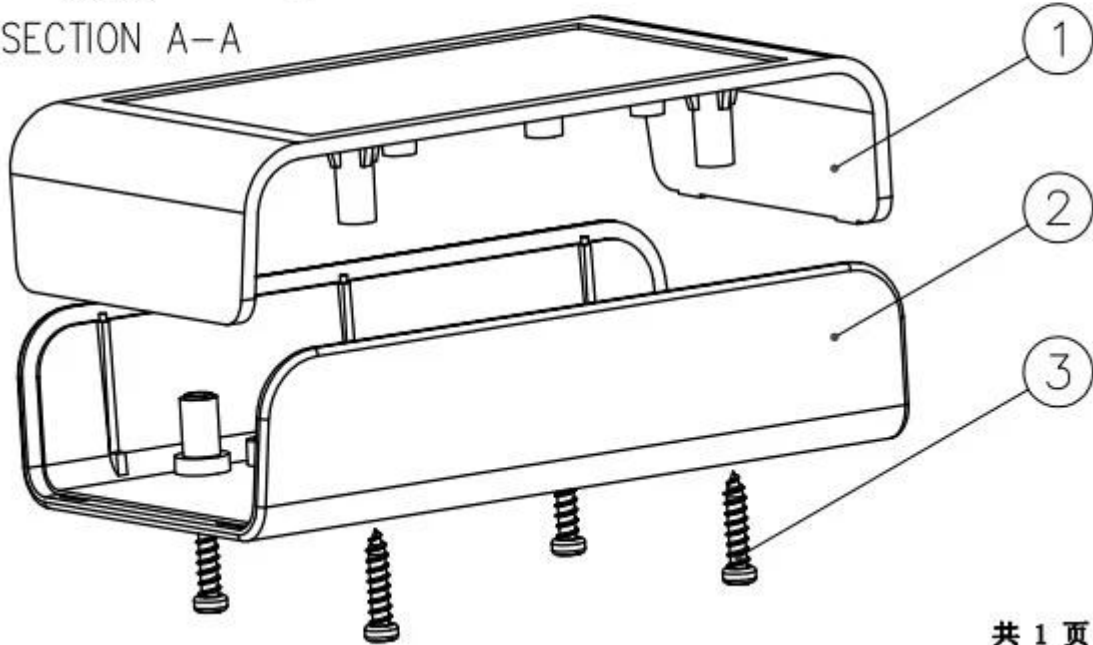
Size: 3.74*2.17*0.91 inch
95*55*23 mm

□□□□





SECTION A-A



共 1 页



SZOMK

WE CAN DO

- ✓ **Provide thousands of public enclosure** *MOQ: 1 piece*
- ✓ **Small order custom** *MOQ: 20-30 pcs*
- ✓ **Design private custom enclosure (provide PCB)**
- ✓ **Molding, tooling (provide sample / STEP file)**



cutout, laser engrave, screen printing, sticker, acrylic plate, pvc label, color, silica gel rings, etc.



WE CAN DO

For HOUSING some of the Processing,
Openings, Screen, Stickers, PVC LABEL



□□□□□□□□



Our packaging

Plastic foam packaging



Metal shell packaging



Plastic box packaging



Packaging & Shipping



sure we can



WE LOGISTICS



□□□□□



T/T, WESTERN UNION, MONEY GRAM AND PAYPAL ACCPETED.

Skype: 13691908477

Tel: 86-13691908477

Email: felix@chinaenclosure.com

Contact Us