



**SZOMK**



▶ **Enclosure Manufacturer**  
[www.chinaenclosure.com](http://www.chinaenclosure.com)

# SZOMK

Customizable  
cutout, sticker  
silkscreen, color



Weight: 48g  
Model No. AK-H-70

Size: 4.13\*2.36\*1.04 inch  
105\*60\*26.5 mm

**SZOMK**



**SZOMK**

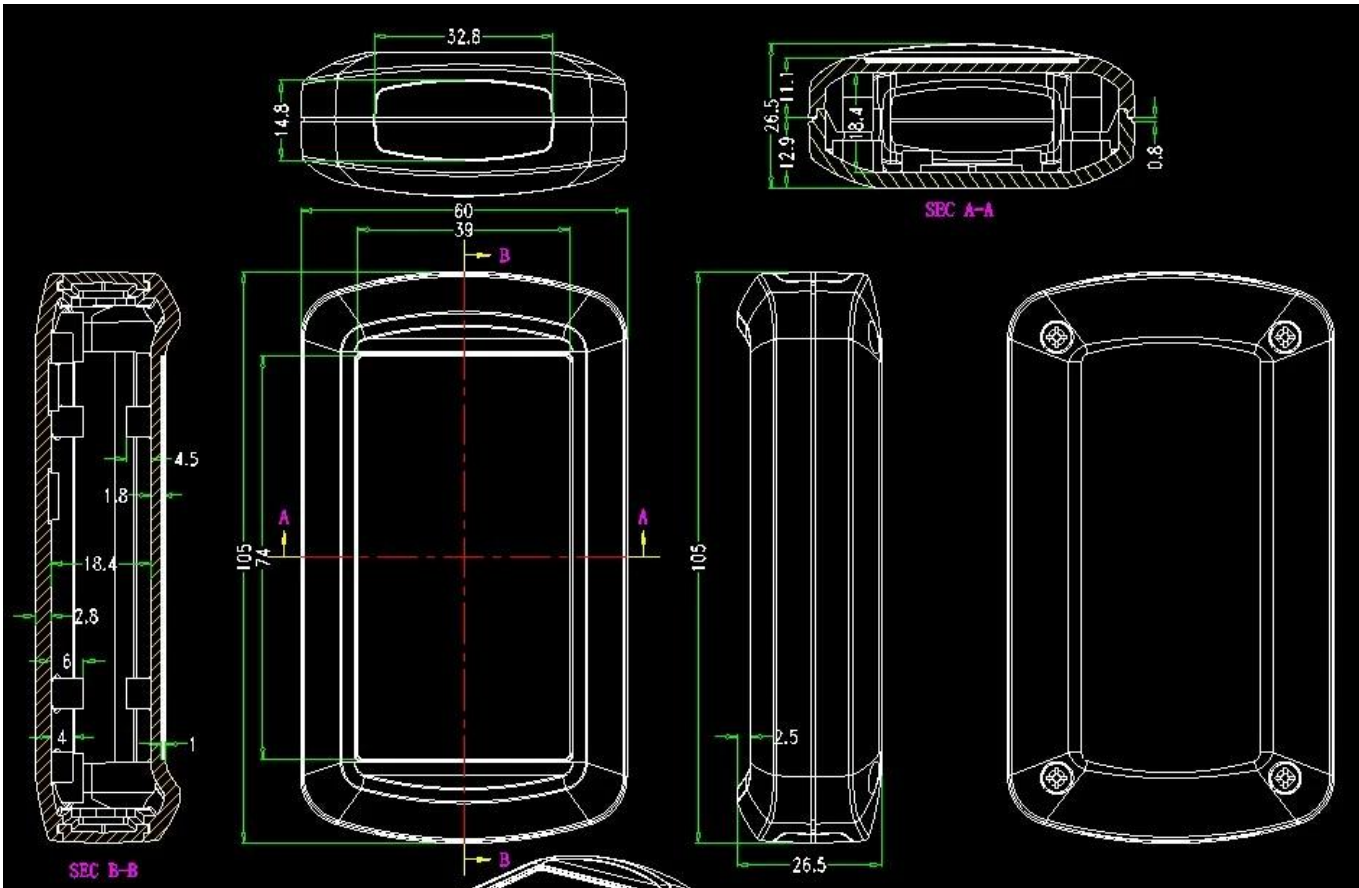


**SZOMK**

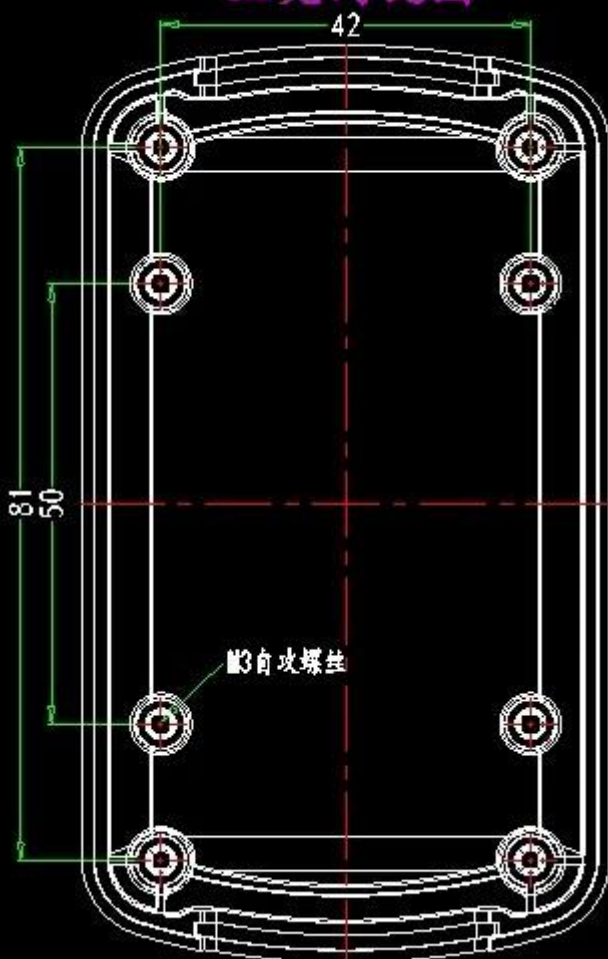


**SZOMK**



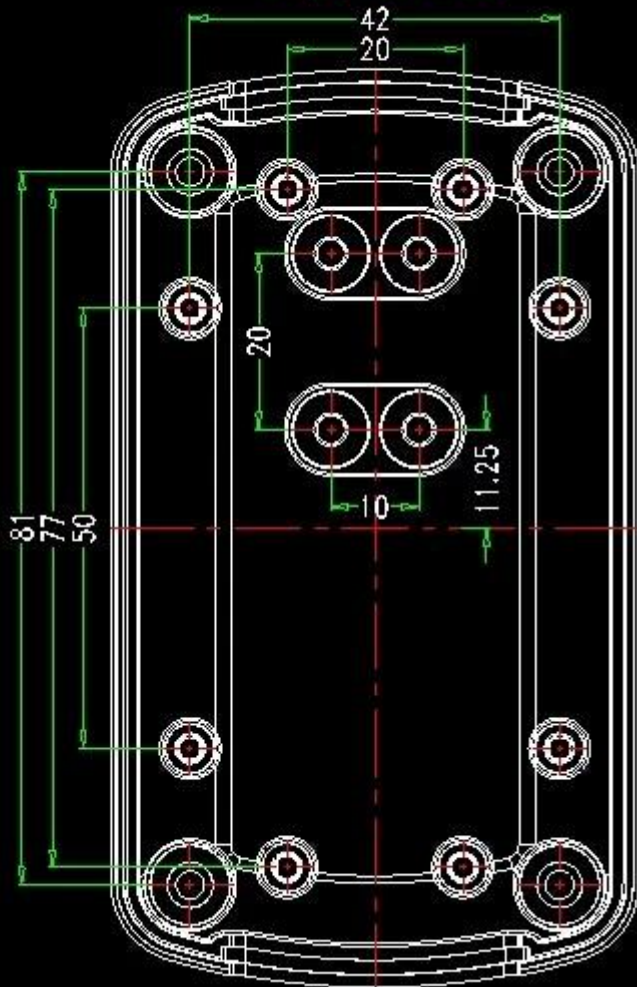


上壳内视图





# 底壳内视图



□□□□□□□□□□□□□□□□□□□□

- 1□□□□□□□□□□□□□□□□ 2□□□□□□□□□□□□□□□□
- 3□□□□□□ 4□□□□□□
- 5□□□□□□□□□□□□□□□□ 6□□□□□□□□□□□□
- 7□□□□□□□□□□□□□□□□ 8□PVC□□□□□□□□□□□□
- 9□□□□□□□□□□□□□□□□ 10□□□□□□□□□□□□□□□□
- 11□□□□□□□□□□□□□□□□ 12□□□□□□□□□□□□□□□□
- 13□□□□□□□□□□□□□□□□ 14□□□□□□□□□□□□□□□□
- 15□UV□□□□□□□□□□□□□□□□ 16□□□□□□□□□□□□□□□□



*Plate*



*Silkscreen*



*Sticker*

*We can do  
customize*

*Cutout*



*Silicone Seals*



*Color*



# We can do customize

Cut holes  
Silkscreen  
Sticker



# We can do customize

change the color



# We can do customize

PVC lable  
Acrylic plate  
Sticker





# We can do customize

Cut holes  
Silkscreen  
Laser carve



**We can do customize**

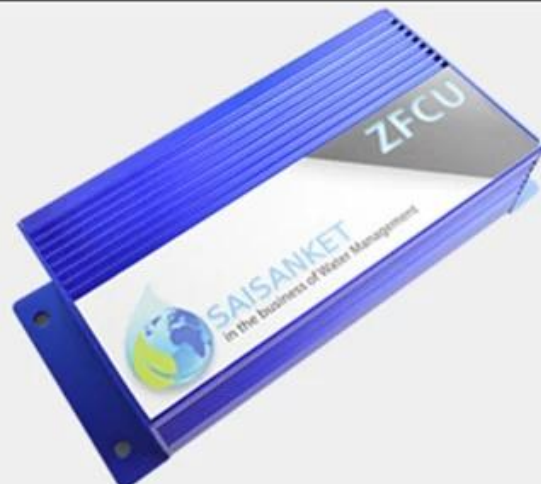


**UV  
Protection**



# We can do customize

Cut holes  
Silkscreen  
Sticker











QQ

505924585



Tel

86-755-83222882  
86-13028816914



Add

628Room,505 Building ,Shangbu industry,  
Hangtian road ,Futian district ,Shenzhen,  
China,518031



Email

[lily@szomk.net](mailto:lily@szomk.net)



skype

szomk006



## Company Information



### Shenzhen Futian Huaqiang Electronic World OMK Electronic Sales Department

This complex, during long years of efforts with its own experienced group and sole facilities for improvement of productions and promotion of products quality, is now one of the largest suppliers of all kinds of metallic and plastic enclosures in different fields of electronic, electrical, communication, medical, industrial and research projects purposes.

In today's industrial world and with the rapid development of all industries, the need of these products is sensed more than ever. Therefore by offering the best quality and service, we try to meet these needs and help you to reach your ideals.

## Exhibition



## Certificate



## Factory and showroom



## Packaging & Shipping



Shenzhen Futian Huaqiang Electronic World OMK  
Electronic Sales Department

Tel: +86-755-83222882 E-mail: [hyj@szomk.com.cn](mailto:hyj@szomk.com.cn)



