

SZOMK

- 1.
- 2.
- 3.

- 1
  - 2
  - 3
- 3-5
- 4
- 

# SZOMK



 **Enclosure Manufacturer**  
[www.chinaenclosure.com](http://www.chinaenclosure.com)

**SZOMK**

Customizable  
cutout, sticker  
silkscreen, color



Weight: 36g  
Model No. AK-S-02

Size: 3.74\*2.17\*0.91 inch  
95\*55\*23 mm

# SZOMK

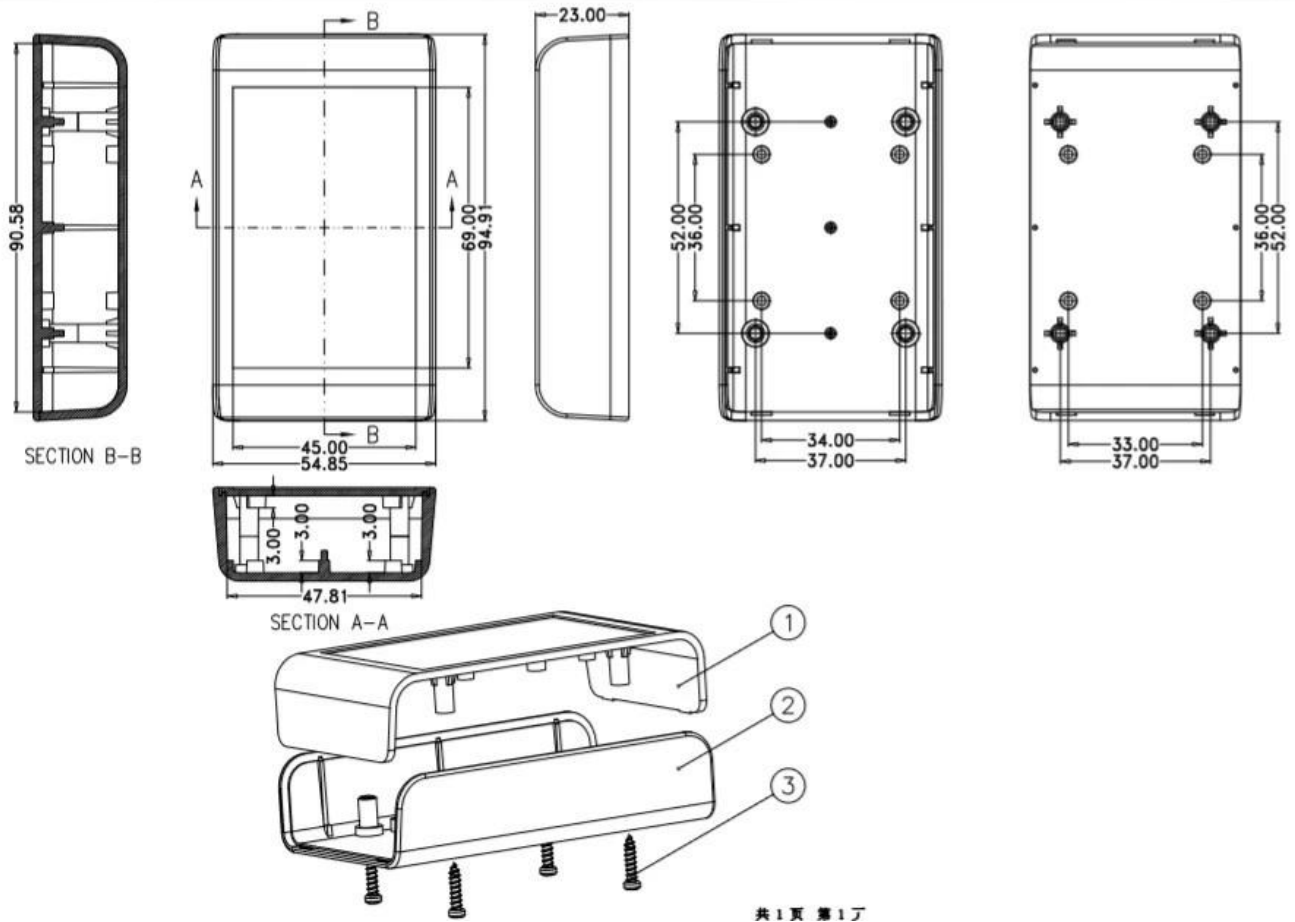


# SZOMK



# SZOMK







## Company Information



### Shenzhen Futian Huaqiang Electronic World OMK Electronic Sales Department

This complex, during long years of efforts with its own experienced group and sole facilities for improvement of productions and promotion of products quality, is now one of the largest suppliers of all kinds of metallic and plastic enclosures in different fields of electronic, electrical, communication, medical, industrial and research projects purposes.

In today's industrial world and with the rapid development of all industries, the need of these products is sensed more than ever. Therefore by offering the best quality and service, we try to meet these needs and help you to reach your ideals.

## Factory and showroom



## Exhibition





## Certificate



## Packaging & Shipping



□□□



QQ

2110283100



Tel

81-755-83222882  
+86 18819074698



Add

16-6Floor, 505Building ,Shangbu Industry  
Area, Hangtian RD, Futian District ,Shenzhen  
China



Email

teddy@szomk.net



skype

teddy@szomk.net



WeChat

teddy07277