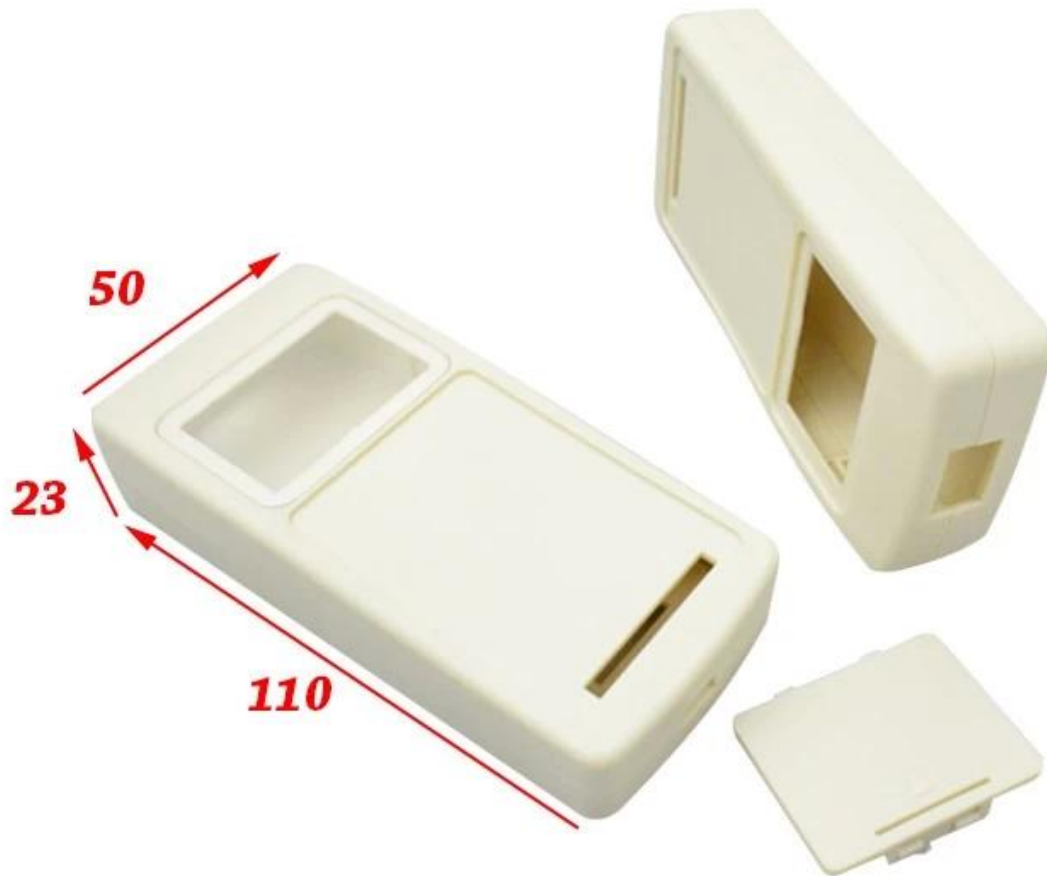




**SZOMK**

**Customizable  
Cutout, sticker  
Silkscreen, color**



**Weight :35 g    Size :4.33\*1.96\*0.91 inch  
Model No.AK-H-52    110\*50\*23 mm**

# SZOMK



**SZOMK**



**SZOMK**

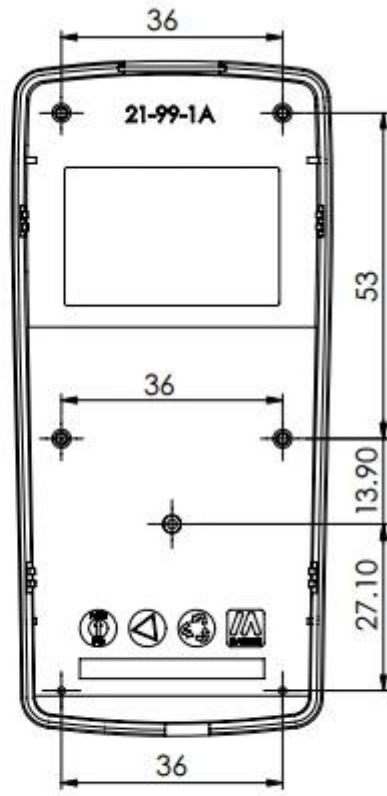
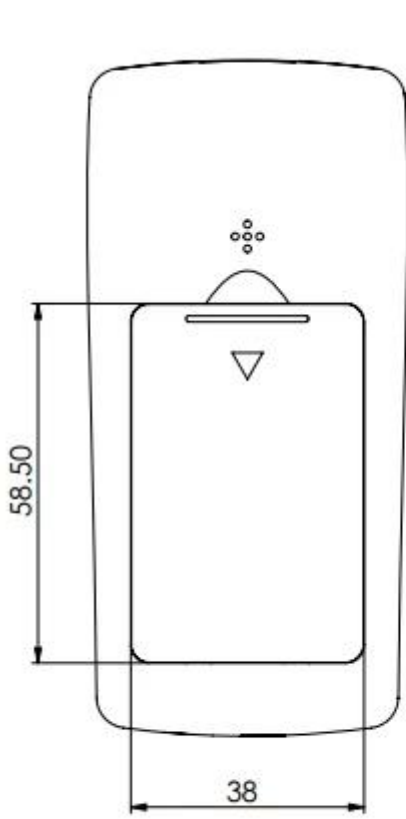


**SZOMK**

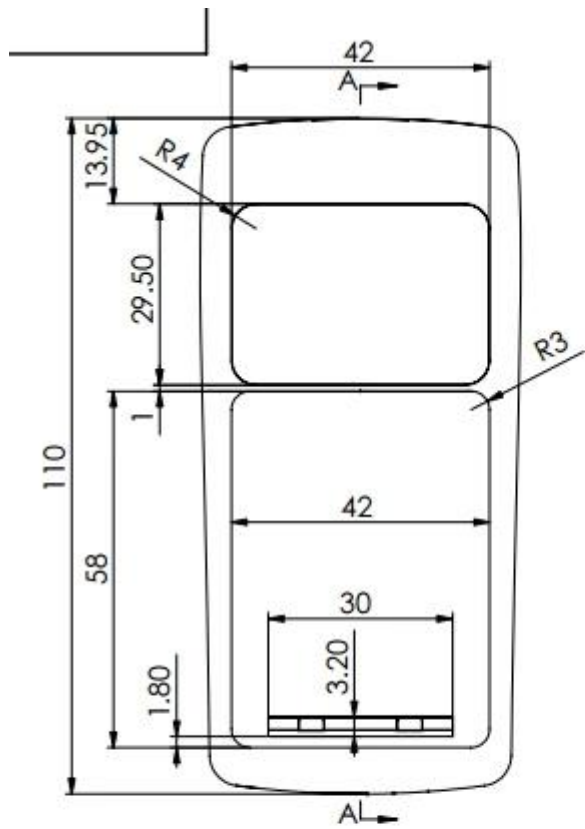


# SZOMK

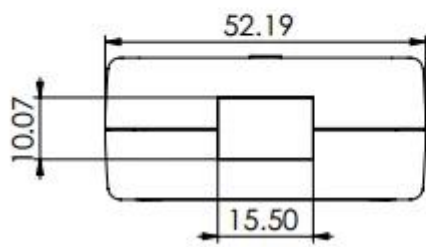
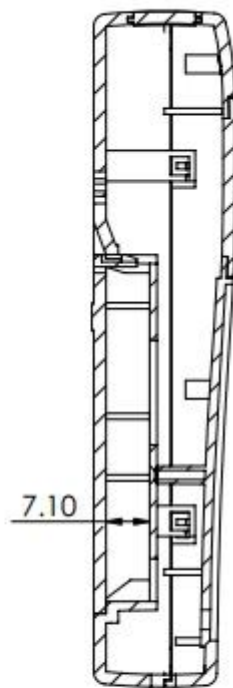








剖面 A-A





QQ

2033950667



Tel

81-755-83222882  
+86 15361444713



Add

16-6Floor, 505Building, Shangbu In dustry  
Area, Hangtian RD, Futian District , Shenzhen  
China



Email

william@szomk.ent



Skype

szomk-002