

It is widely used in electronic, instrumentation, automation, communications, power supply units, student projects, amplifiers, Medical and wellness devices, test and measurement equipment, industrial control, peripheral devices and interfaces, switch boxes.



□□□□ □□ □□ □□□□ □□ □□ □□□□ □□

1. □□, □□, □□□ □□ □□ □□□ □□□□ □□□□.
2. □□ □ □□□ □□□ □□ □□ □□□ □□ □□□ □ □ □□□□.
3. □□ □□, □ □□□ □□ □□□ □□ □ □ □□□□.

□□□□ □□□□ □□ □ □□□□ □

- 1 Drilling, Punching, etc. □□□□ □□□□□□□□.
- 2 □□ □□, □□□□, □□□□□□, □□ □□□□, □□□□ □□, □□□□, □□□□, □□□□ □.
- 3 □□ □□, □□□□□□ □□ □ 3-5 □ (□□□□ □□)
- 4 □□□□ □□□□ □□ □□□□ □□

□□□□ □□□□ □□□ **WIFI 160 * 100 * 30mm AK-NW-06** □□ □□ □□□□ □□□□ □□□□ □□□□ □□□□ □□ □□ □□

SZOMK



▶ **Enclosure Manufacturer**
www.chinaenclosure.com

SZOMK

Customizable
cutout, sticker
silkscreen, color



Weight: 96g

Model No. AK-NW-06

Size: 6.30*3.94*1.18 inch

160*100*30 mm

SZOMK



SZOMK

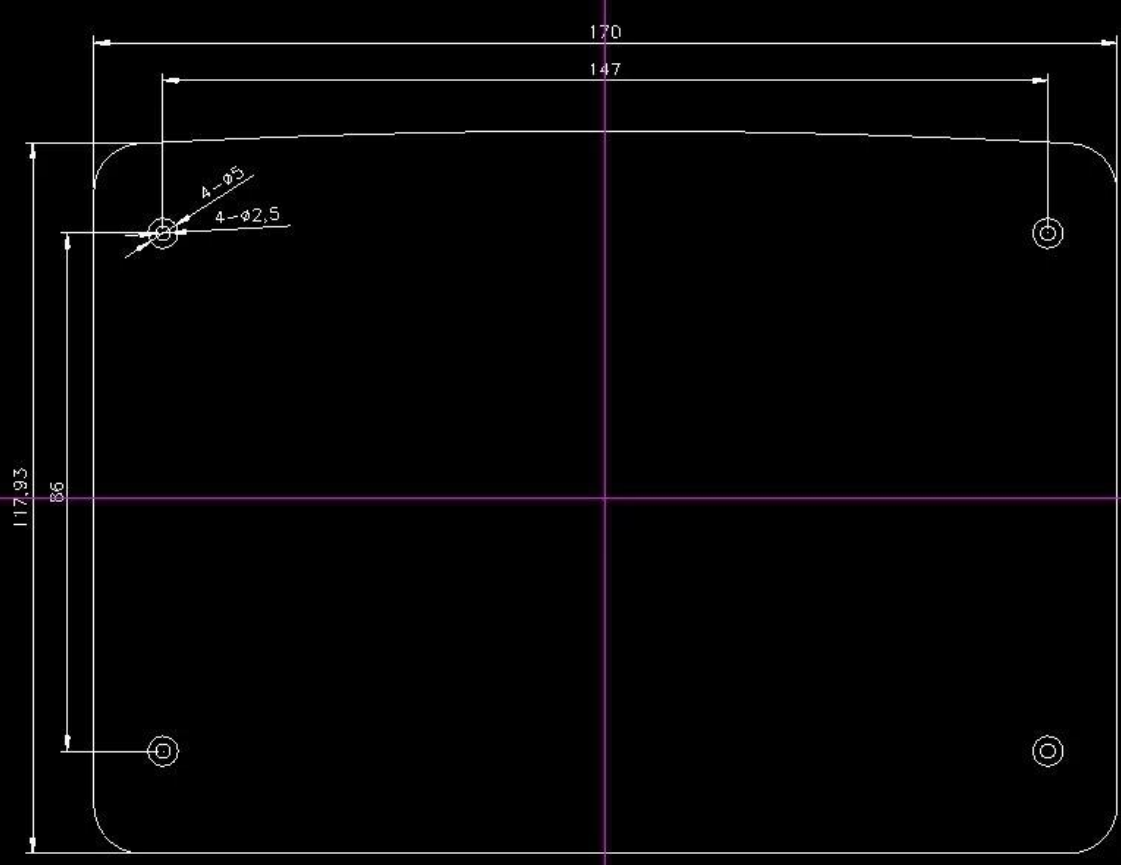


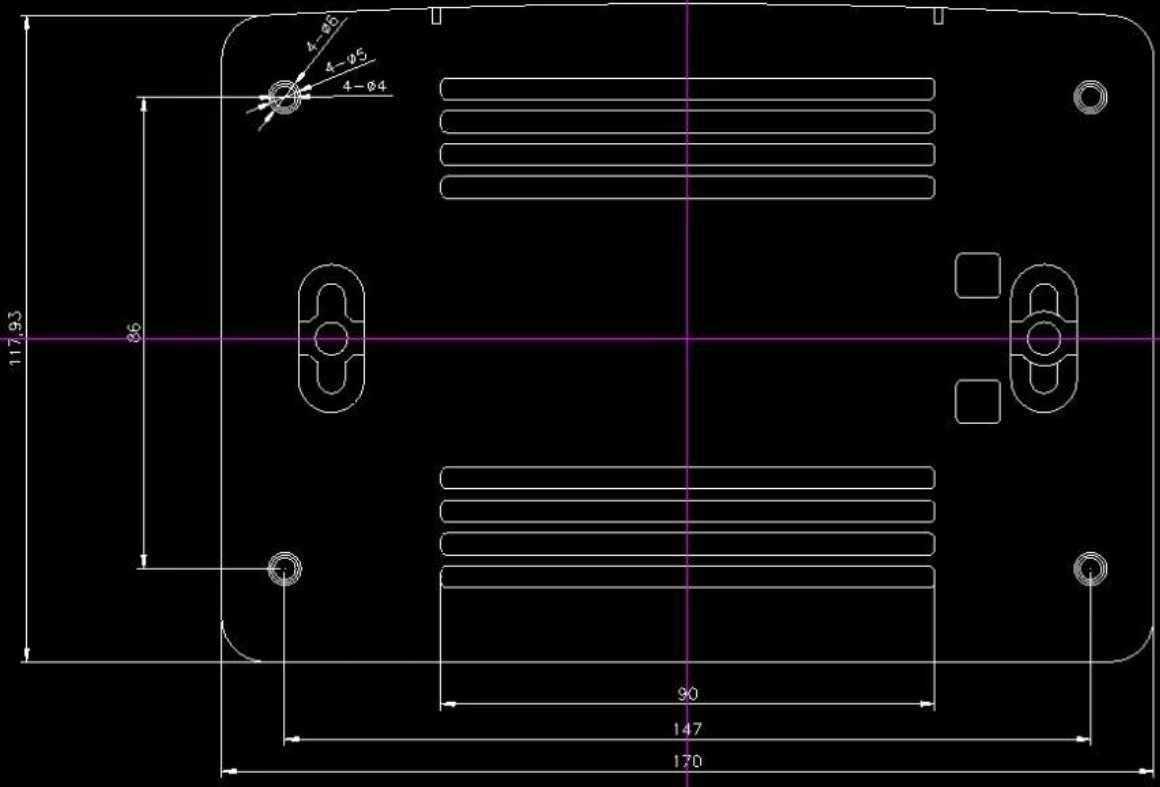
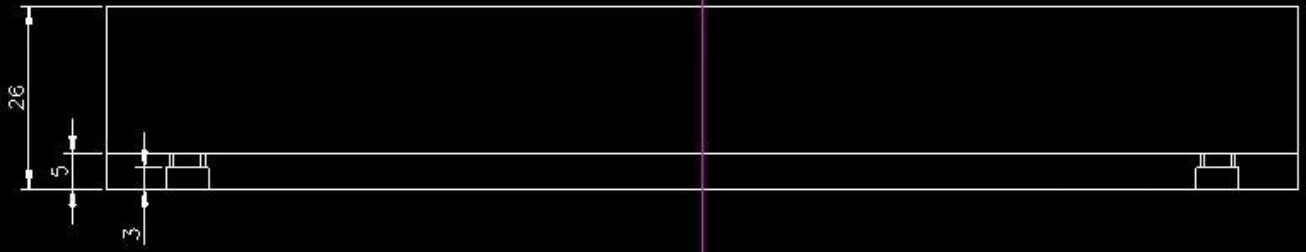
SZOMK

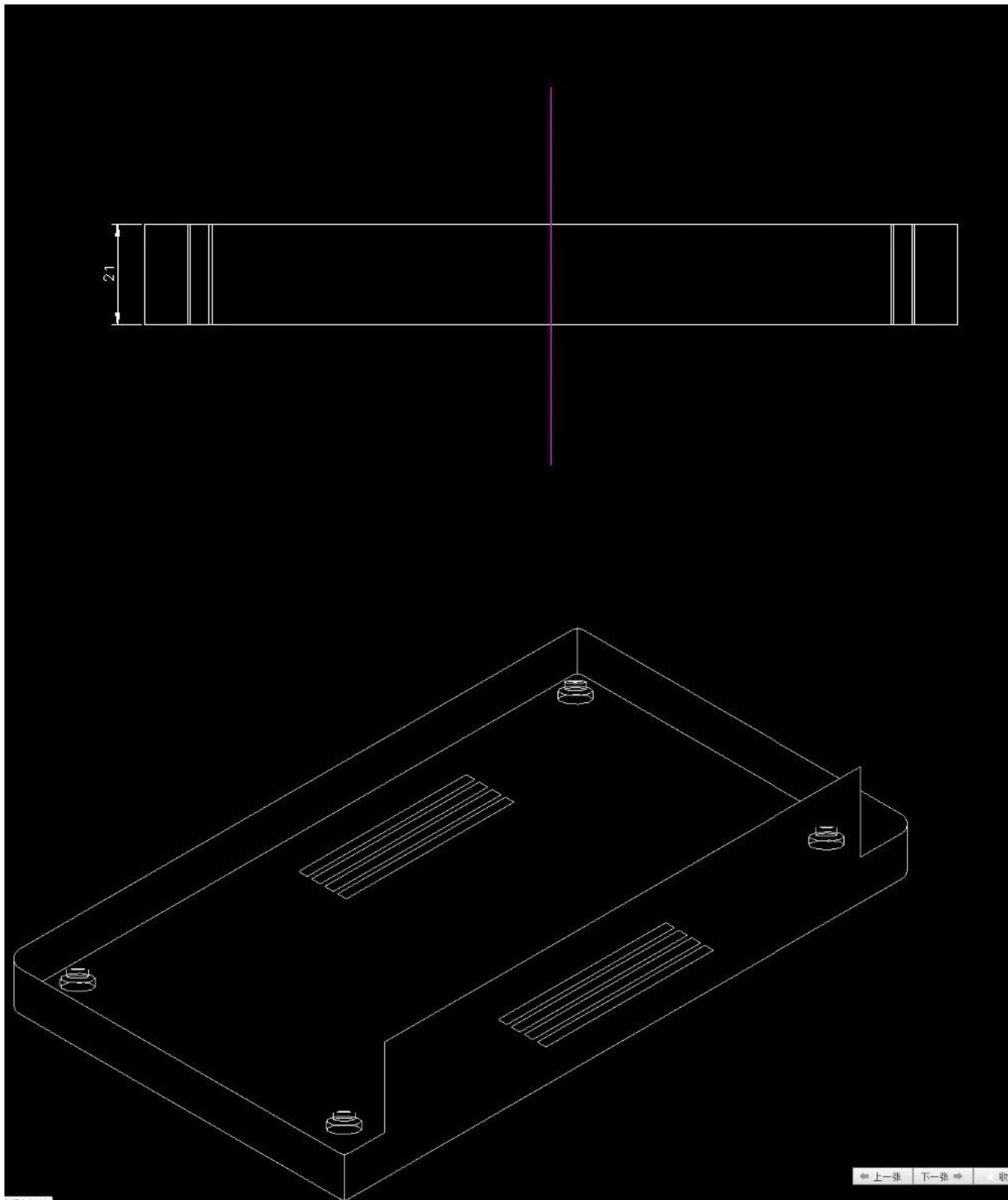


SZOMK









□ □ □ □ □ □



SZOMK

WE CAN DO



- ✓ **Provide thousands of public enclosure** *MOQ: 1 piece*
- ✓ **Small order custom** *MOQ: 20-30 pcs*
- ✓ **Design private custom enclosure (provide PCB)**
- ✓ **Molding, tooling (provide sample / STEP file)**



cutout, laser engrave, screen printing, sticker, acrylic plate, pvc label, color, silica gel rings, etc.



WE CAN DO

**For HOUSING some of the Processing,
Openings, Screen, Stickers, PVC LABEL**



□ □ □ □ □



Our packaging

Plastic foam packaging



Metal shell packaging



Plastic box packaging



Packaging & Shipping



□□□□

□□□ : william@szomk.net

□□□□ : szomk-002

QQ : 2033950667