

It is widely used in electronic, instrumentation, automation, communications, power supply units, student projects, amplifiers, Medical and wellness devices, test and measurement equipment, industrial control, peripheral devices and interfaces, switch boxes.



abs [unclear] [unclear] [unclear] [unclear] [unclear] [unclear]

1. [unclear], [unclear], [unclear] [unclear] [unclear] [unclear] [unclear].
2. [unclear] [unclear] [unclear] [unclear] [unclear] [unclear] [unclear] [unclear] [unclear] [unclear] [unclear].
3. [unclear] [unclear], [unclear] [unclear] [unclear] [unclear] [unclear] [unclear].

[unclear] [unclear] [unclear] [unclear] [unclear] [unclear]

- 1 Drilling, Punching, etc. [unclear] [unclear] [unclear].
- 2 [unclear] [unclear], [unclear], [unclear], [unclear] [unclear], [unclear] [unclear], [unclear], [unclear], [unclear] [unclear].
- 3 [unclear] [unclear], [unclear] [unclear] [unclear] [unclear] 3-5 [unclear] (unclear [unclear])
- 4 [unclear] [unclear] [unclear] [unclear] [unclear] [unclear]

ABS [unclear] [unclear] [unclear] [unclear] [unclear] [unclear]

SZOMK



▶ **Enclosure Manufacturer**
www.chinaenclosure.com

SZOMK

Customizable
cutout, sticker
silkscreen, color



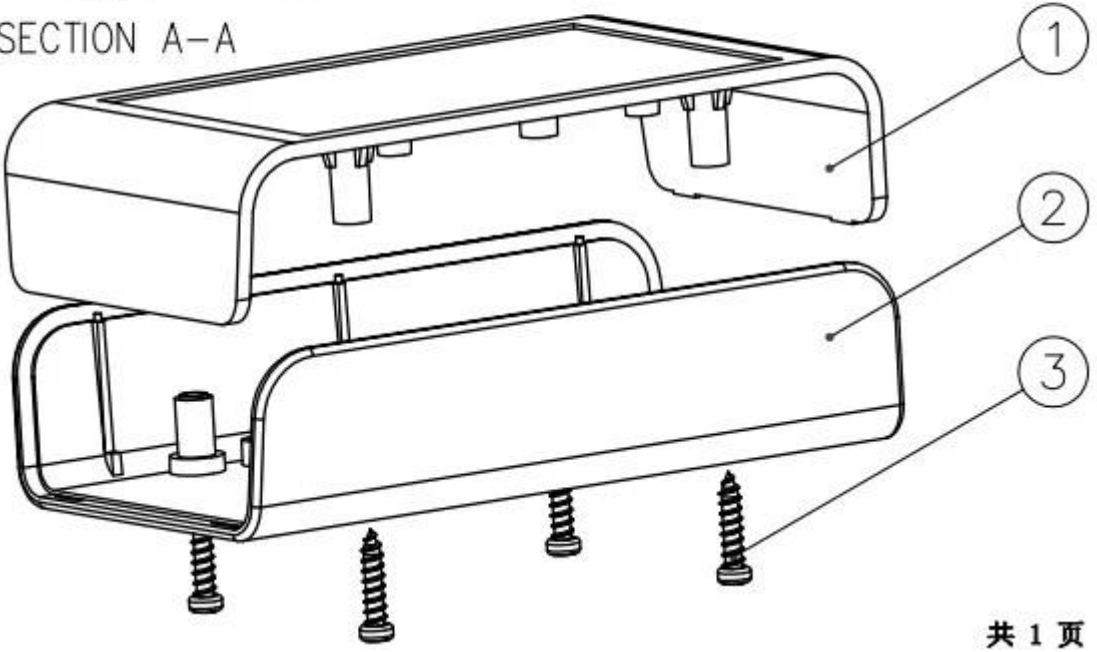
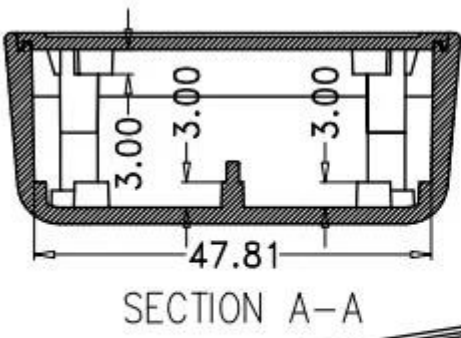
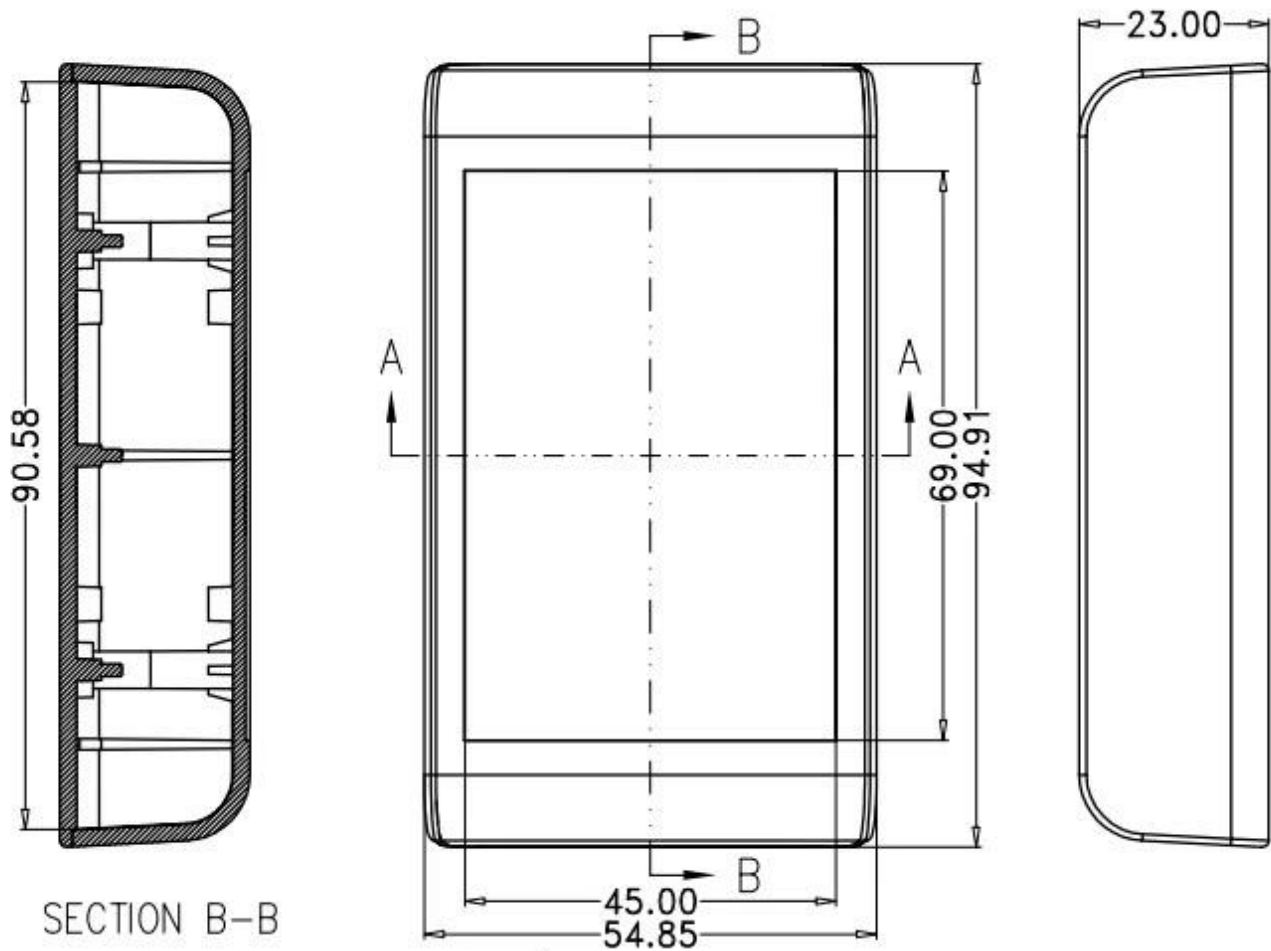
Weight: 24g
Model No. AK-S-01

Size: 3.15*1.97*0.75inch
80*50*19 mm

SZOMK



□□ □□





SZOMK

WE CAN DO



- ✓ *Provide thousands of public enclosure* *MOQ: 1 piece*
- ✓ *Small order custom* *MOQ: 20-30 pcs*
- ✓ *Design private custom enclosure (provide PCB)*
- ✓ *Molding, tooling (provide sample / STEP file)*



cutout, laser engrave, screen printing, sticker, acrylic plate, pvc label, color, silica gel rings, etc.

WE CAN DO

**For HOUSING some of the Processing,
Openings, Screen, Stickers, PVC LABEL**



□ □ □ □ □



Our packaging

Plastic foam packaging



Metal shell packaging

Plastic box packaging



Packaging & Shipping

TNT
sure we can

UPS
WE LOGISTICS™

SF EXPRESS
顺丰速运

FedEx
Express

EMS

DHL

PayPal **WESTERN UNION** **VISA** **ESCROW** **MasterCard** **HSBC**

□□□□



QQ

3010748891



Tel

81-755-83222882
+86 18819073301



Add

16-6Floor, 505Building ,Shangbu Industry
Area, Hangtian RD, Futian District ,Shenzhen
China



Email

smile@szomk.net



skype

szomk017