

It is widely used in electronic, instrumentation, automation, communications, power supply units, student projects, amplifiers, Medical and wellness devices, test and measurement equipment, industrial control, peripheral devices and interfaces, switch boxes.



abs □□□□ □□□□ □□ □□ □□□□ □□

1. □□, □□, □□□ □□ □□□□ □□□□.
2. □□□ □□□ □□□ □□□□ □□ □□□ □□ □ □□□□.
3. □□ □□□ □□□, □□ □□□ □ □□ □ □□□□.

□□□ □□□ □□ □ □□□ □

- 1 □□□, □□ □ □□ □□□ □□□□□.
- 2 □□ □□, □□□, □□□□, □□ □□□, □□□ □□, □□□, □□, □□□ □□.
- 3 □□ □□ □□, □□□□□ □□ □ 3-5 □ (□□□ □□)
- 4 □□□ □□ □□□ □□

abs □□□□ □□□□ □□ □□ □□□□ □□ □□

SZOMK



▶ **Enclosure Manufacturer**
www.chinaenclosure.com

SZOMK

Customizable
cutout, sticker
silkscreen, color



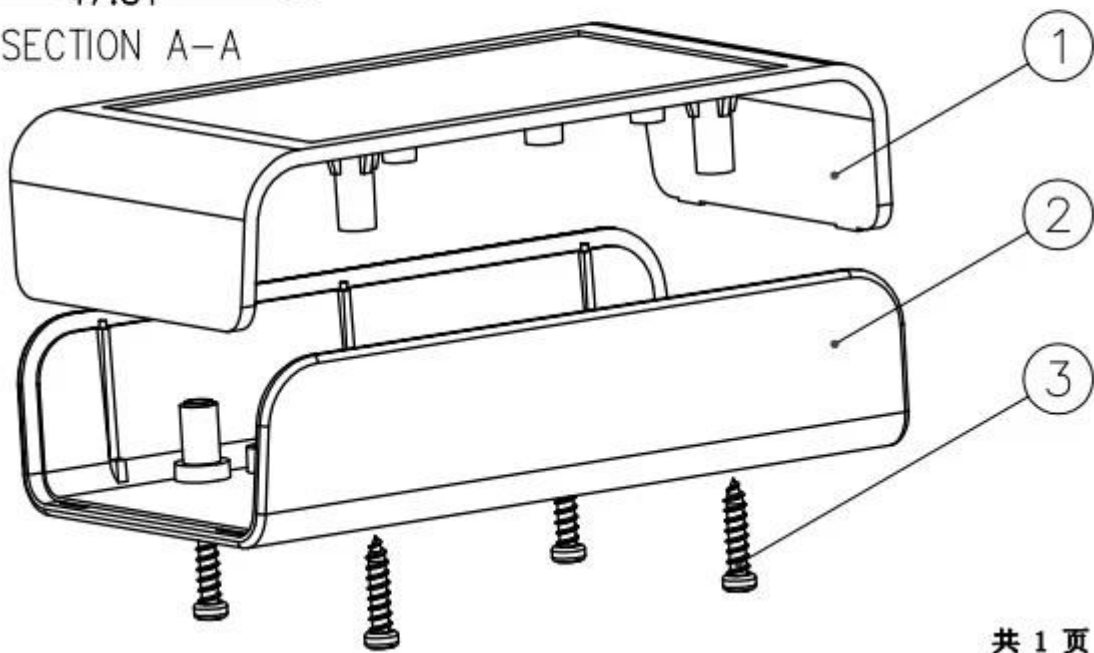
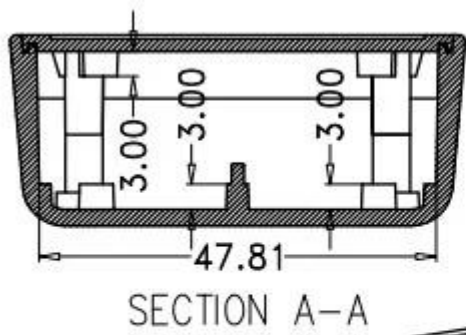
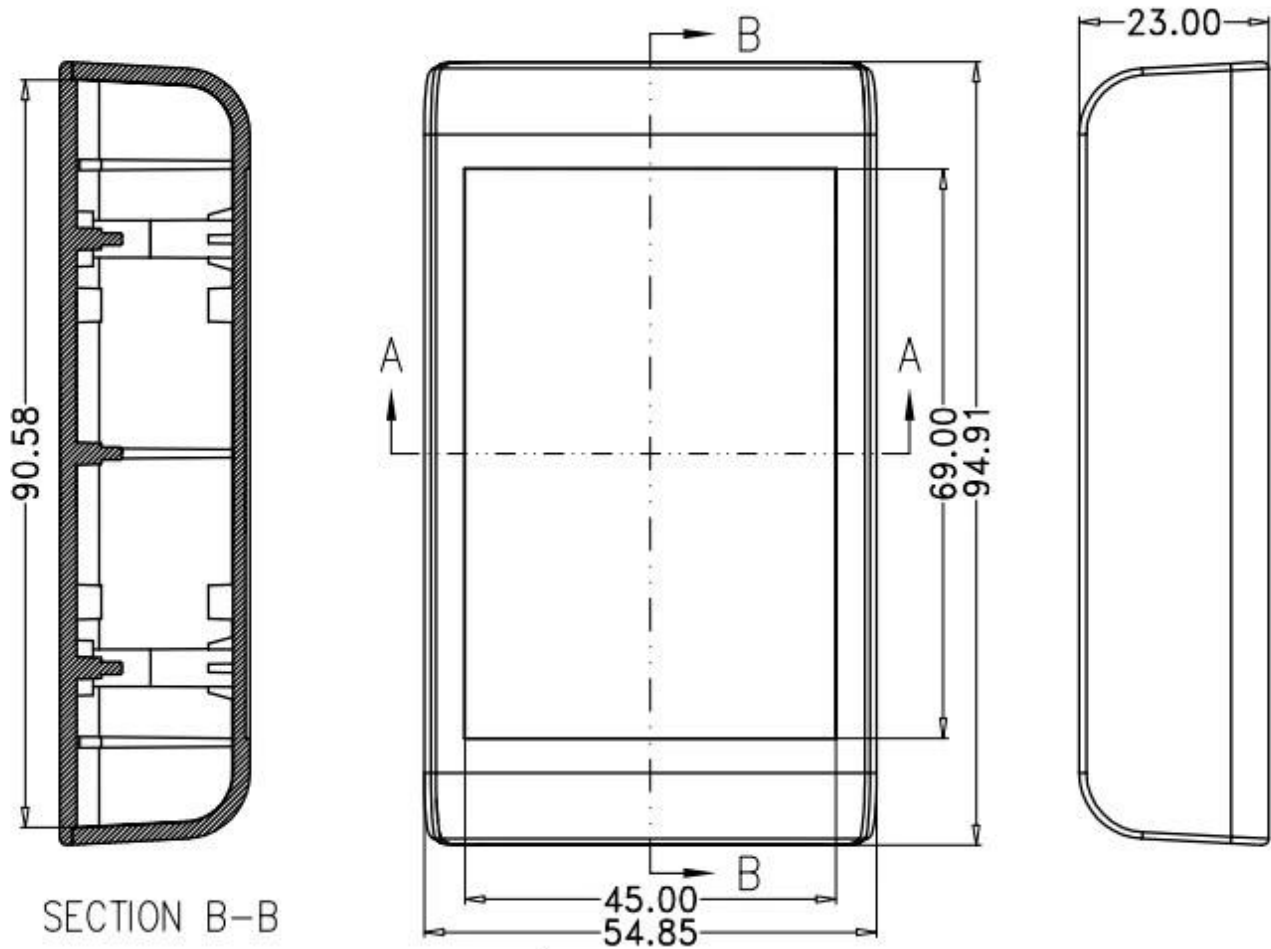
Weight: 24g
Model No. AK-S-01

Size: 3.15*1.97*0.75inch
80*50*19 mm

SZOMK



□□ □□



□ □ □ □ □ □



SZOMK

WE CAN DO



- ✓ *Provide thousands of public enclosure* *MOQ: 1 piece*
- ✓ *Small order custom* *MOQ: 20-30 pcs*
- ✓ *Design private custom enclosure (provide PCB)*
- ✓ *Molding, tooling (provide sample / STEP file)*



cutout, laser engrave, screen printing, sticker, acrylic plate, pvc label, color, silica gel rings, etc.



WE CAN DO

**For HOUSING some of the Processing,
Openings, Screen, Stickers, PVC LABEL**



□ □ □ □ □



Our packaging

Plastic foam packaging



Metal shell packaging



Plastic box packaging



Packaging & Shipping



sure we can



WE LOGISTICS



□□□□



T/T, WESTERN UNION, MONEY GRAM AND PAYPAL ACCPETED.

Skype: 13691908477

Tel: 86-13691908477

Email: felix@chinaenclosure.com

Contact Us