

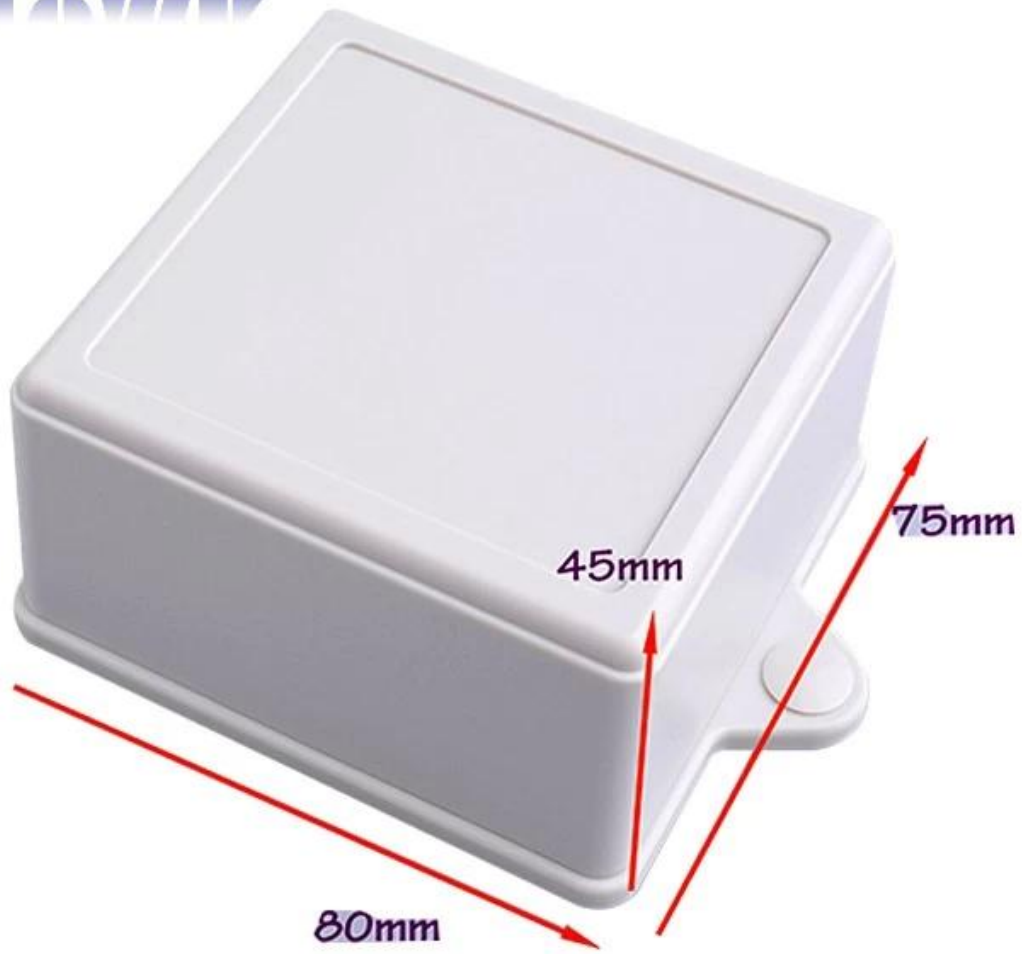


- 1, 0000 000 000 000 0000.
- 2, 0 0 0 0 00, 00 00 (00 00 00).
- 000 0000 000 (00000) 3
- 4, 00 000 00.
- 5, 000 0000 000 0000
- 6, 000 0000 00 00.



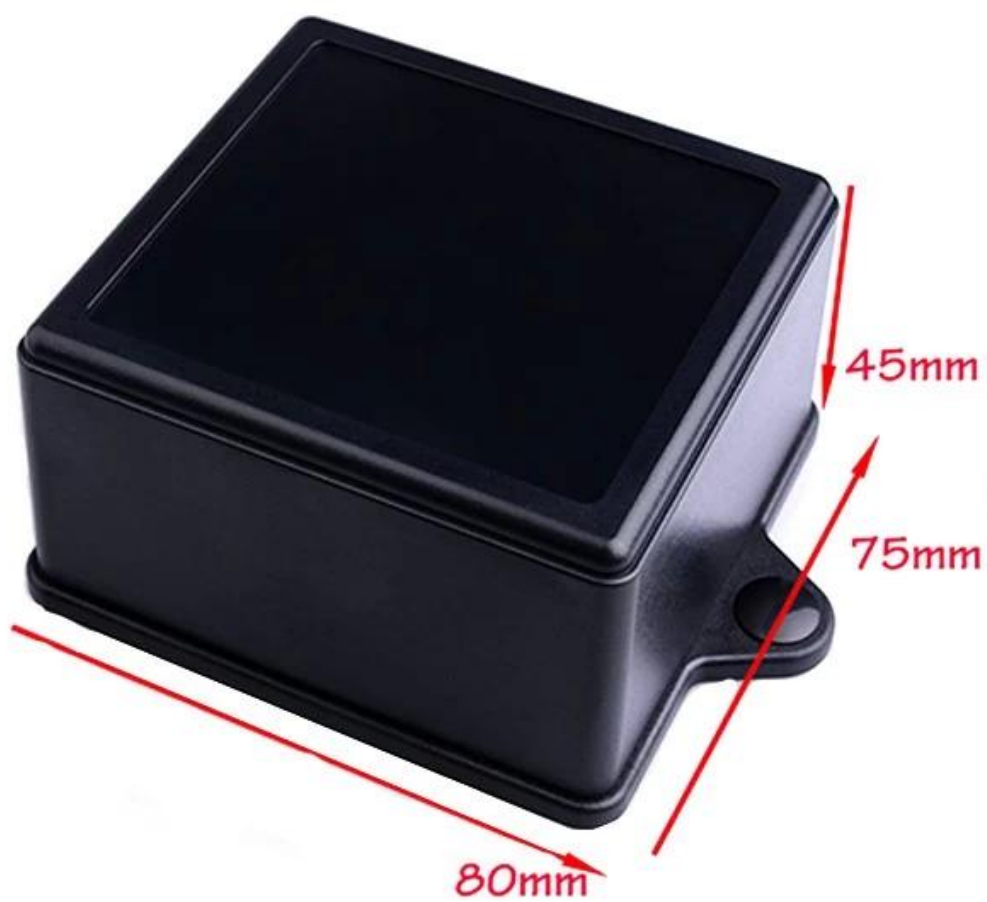
000 0 000 000 00 000 000 000 00 00 00 00 00, 000 00, 00 00 00 000 00 0000 00 0
 00 00, 00, 00 00, 0, 00, 00, 00, 00 00, 00, 00, 00, 00 00, 00 00.

SZOMK



▶ **Enclosure Manufacturer**
www.chinaenclosure.com

SZOMK



SZOMK

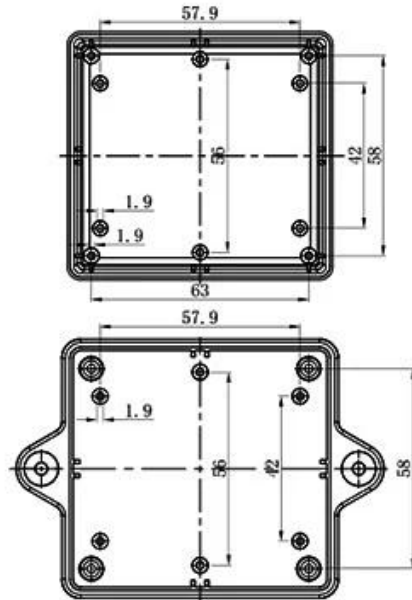
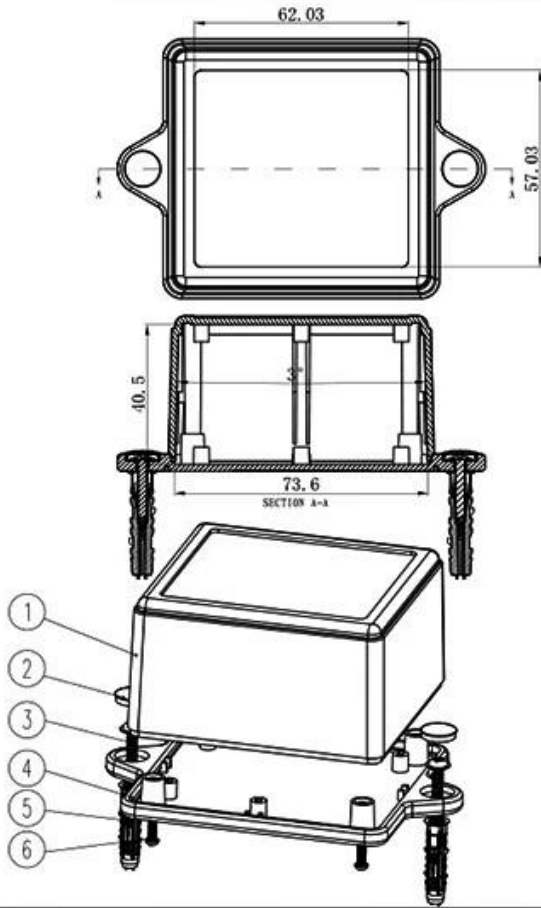


A1

A2

SZOMK





4	螺母 M4	钢	4	PA2-M4Z	
3	螺钉	PP	2	S-5	
4	下壳	ABS	1	MS04-C1	
3	螺母 M2.5	钢	2	PA3W23	
2	螺钉 M3	ABS	2	KN-300-01	
1	上壳	ABS	1	60010-01	
序号	零件名称	材料	数量	配件编号	备注
制图	审核	批准	产品名称	轴柱式仪表壳	视图
Drawing	Auditing	Confirm	Product Name		Project View
			产品型号	轴柱 50014	图框比例
			Product Type		Drawing Scale
szomk.004@gmail.com					



T/T, WESTERN UNION, MONEY
GRAM AND PAYPAL ACCPETED.

Skype: 86-13392896082

Tel: 86-13392896082

Email: kevin@chinaenclosure.com

[Contact Us](#)