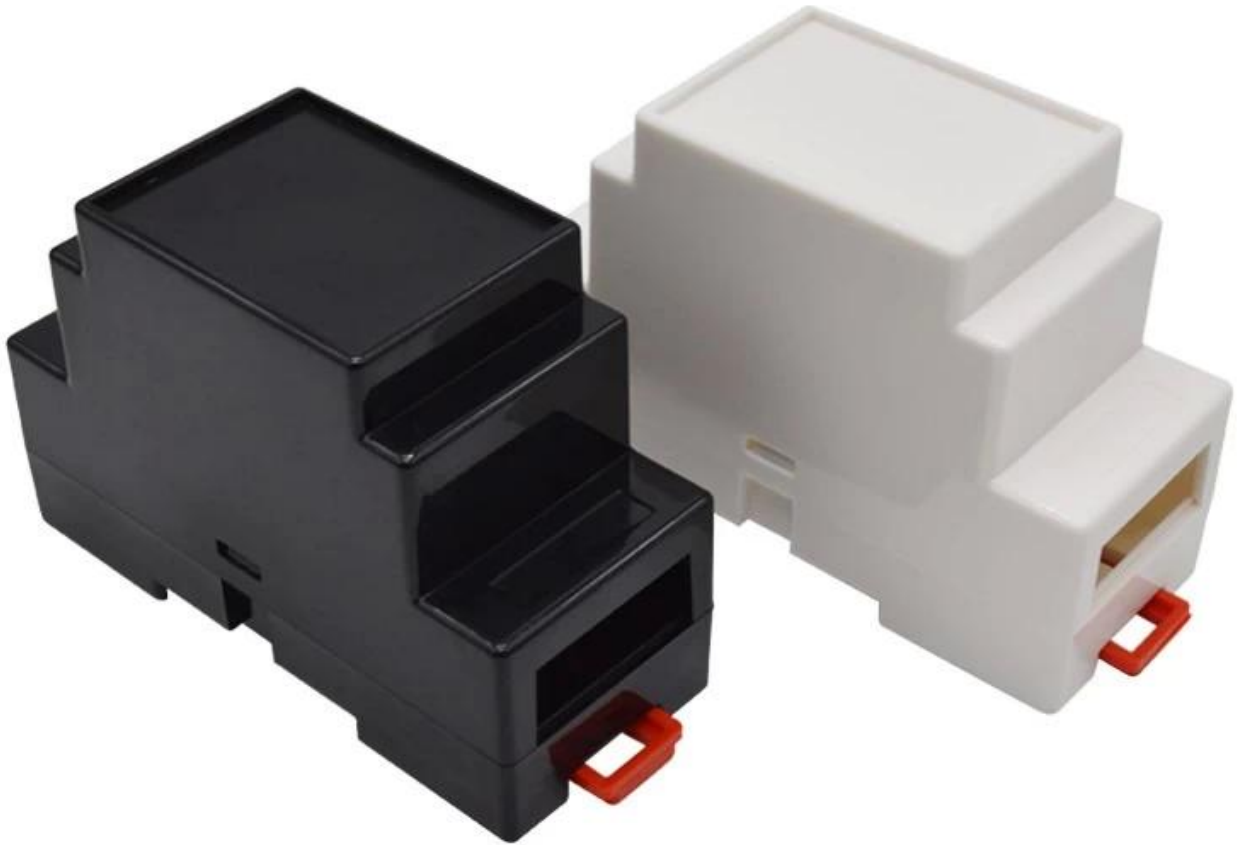


SZOMK



▶ Enclosure Manufacturer
www.chinaenclosure.com

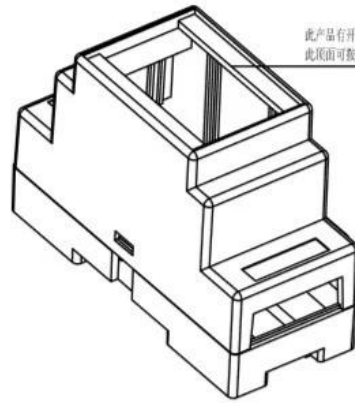
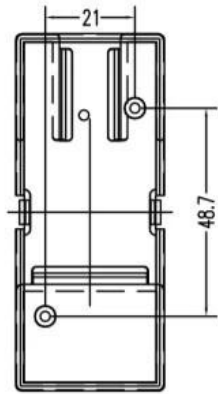
SZOMK

Customizable
cutout, sticker
silkscreen, color

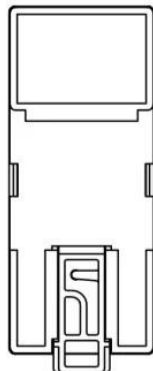
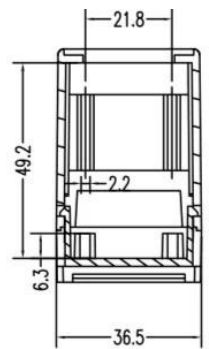
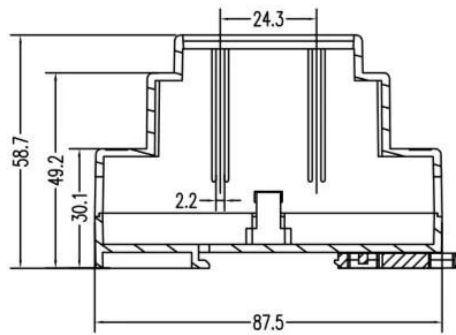
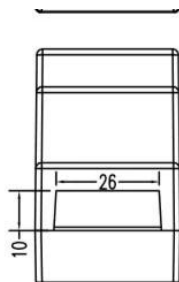
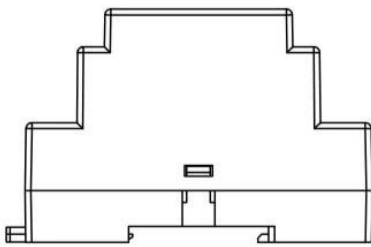
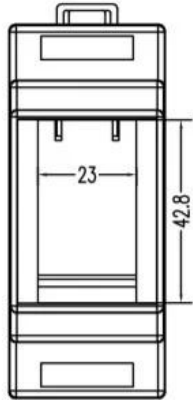


Weight: 40g
Model No. AK-DR-01

Size: 3.46*1.46*2.32 inch
88*37*59 mm



此产品有开孔与未开孔两款，此页面可恢复未开孔。



ABS 塑料

ABS 塑料，是一种热塑性塑料。

2. ABS 塑料具有良好的机械性能，如抗冲击、抗拉伸、抗弯曲等。

3. ABS 塑料具有良好的耐热性，可在 100°C 左右长期使用。

ABS 塑料的回收方法是什么？

ABS 塑料的回收方法如下：

2. 将 ABS 塑料碎片放入回收桶中，以便回收。

3. 将 ABS 塑料碎片放入回收桶中，以便回收。

4. 将 ABS 塑料碎片放入回收桶中，以便回收。



Company Information



Shenzhen Futian Huaqiang Electronic World OMK Electronic Sales Department

This complex, during long years of efforts with its own experienced group and sole facilities for improvement of productions and promotion of products quality, is now one of the largest suppliers of all kinds of metallic and plastic enclosures in different fields of electronic, electrical, communication, medical, industrial and research projects purposes.

In today's industrial world and with the rapid development of all industries, the need of these products is sensed more than ever. Therefore by offering the best quality and service, we try to meet these needs and help you to reach your ideals.

Factory and showroom



Certificate



Packaging & Shipping



☐☐ ☐☐ :



T/T, WESTERN UNION, MONEY
GRAM AND PAYPAL ACCPETED.

Skype: 13691908154

Tel: +86 13691908154

E-mail: galaxie@szomk.net

[Contact Us](#)