

□□

- 1, □□ □□, □□ □□.
- 2, □□ □□, (□□□□) □□□□.
- 3, □□ □□, □□ □□ □□ □□ □□ □□ □□ □□ □□.
- 4, □□ □□, □□ □□ □□ □□ □□ □□ □□ □□ □□.
- 5, □□ □□ □□ □□.
- 6 □□, □□ □□ □□ □□ □□

□□ □□

□□□□ □□ □□, □□ □□ □□ □□ □□ □□, □□ □□ □□ □□, □□ □□ □□ □□ □□ □□, □□, □□
□□, □□
□□ □□ □□ □□ □□, □□, □□ □□, □□, □□, □□, □□, □□ □□, □□ □□.

□□□ □□ □ :

1. Developing □□ □□ □□
- □□ 2. Modification
- 3 □□ □□ □□, □□ □□ □□ □□ □□ □□.
4. Additional □□ □□ □□ □□ □□ □□ □□ □□.
5. Professional □□ □□ □□

SZOMK



▶ **Enclosure Manufacturer**
www.chinaenclosure.com

SZOMK

Customizable
Cutout, sticker
Silkscreen, color



Weight :139 g
Model No. AK-D-20

Size:4.25*5.98*2.13 inch
108*152*54 mm

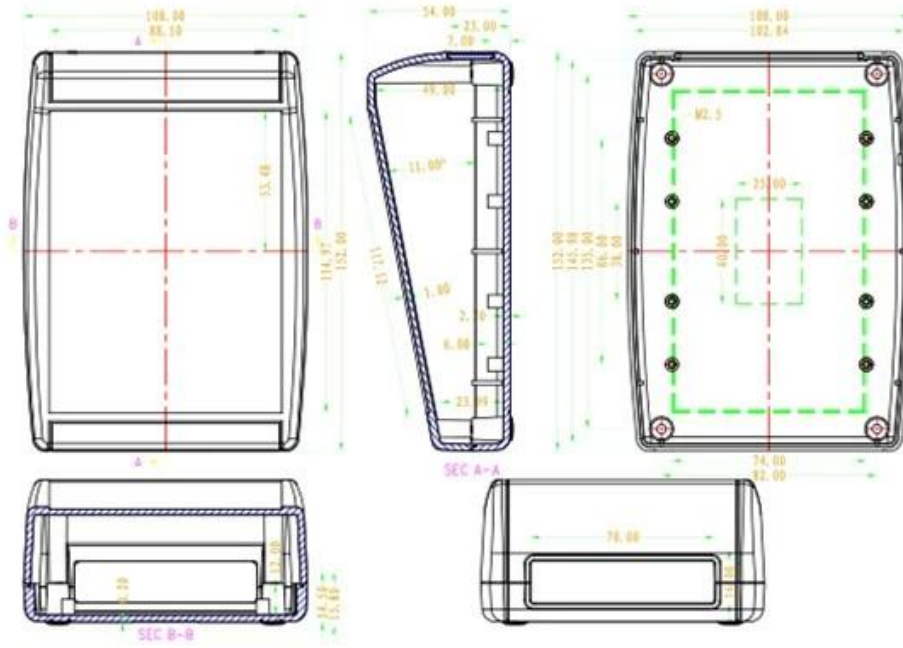
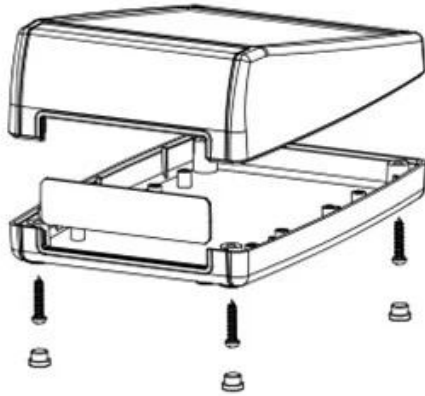
SZOMK



SZOMK



AK-D-20





QQ

2406659781



Tel

86-755-83222882
86-18598241813



Add

628Room,505 Building ,Shangbu industry,
Hangtian road ,Futian district ,Shenzhen,
China,518031



Email

emily@szomk.com.cn



skype

szomk1010