

# ABS 3D PRINTING

ABS 3D PRINTING  
ABS 3D PRINTING  
ABS 3D PRINTING / 4.0.  
ABS 3D PRINTING ABS 3D PRINTING

ABS 3D PRINTING

1. 100 % ABS FR 3D PRINTING UL94V-0 3D PRINTING. 3D PRINTING, 3D PRINTING, 3D PRINTING.
2. 3D PRINTING : 3D PRINTING 3D PRINTING 3D PRINTING. 3D PRINTING 3D PRINTING 3D PRINTING 3D PRINTING.
3. 3D PRINTING 3D PRINTING 3D PRINTING 3D PRINTING 3D PRINTING. 3D PRINTING 3D PRINTING 3D PRINTING.
4. 3D PRINTING 3D PRINTING : 3D PRINTING, Colour.Silk 3D PRINTING, CNC, 3D PRINTING, 3D PRINTING

ABS 3D PRINTING 3D PRINTING 3D PRINTING?

1. MOQ : 30 PC.
  2. 3D PRINTING : 3D PRINTING, 3D PRINTING, 3D PRINTING, 3D PRINTING 3D PRINTING.
  - 2 ABS 3D PRINTING 3D PRINTING ABS, PC 3D PRINTING 3D PRINTING 3D PRINTING 3D PRINTING 3D PRINTING.
  - 3 3D PRINTING 3D PRINTING. 3D PRINTING 3D PRINTING 3-5 3D PRINTING (3D PRINTING)
- ABS 3D PRINTING 3D PRINTING 4 3D PRINTING

# ABS plastic enclosure

Transparent cover





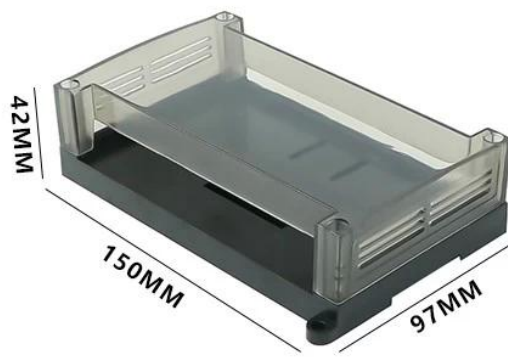
**AK-P-35**



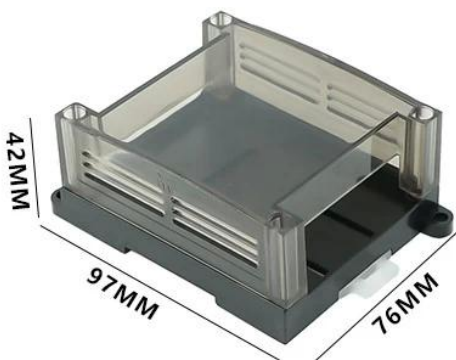
**AK-P-36**



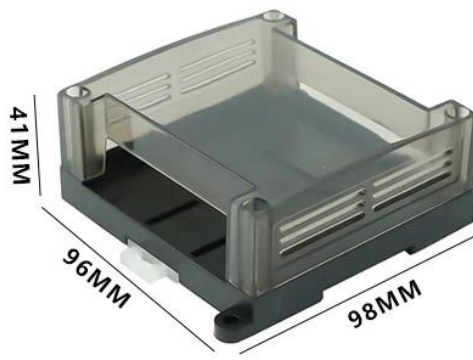
**AK-P-37**



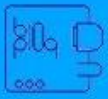
**AK-P-38**



**AK-P-39**



**AK-P-40**



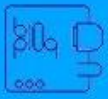
**SZOMK**

**Size:65\*54\*18mm**



**Weight:25g**

**AK-P-41**



**SZOMK**

**Size:65\*54\*18mm**



**Weight:25g**

**AK-P-41**