

DIY PCB 25 * 36 * 77mm

DIY PCB 25 * 36 * 77mm

SZOMK

Customizable
Cutout, sticker
Silkscreen, color



Weight: 17g

Size: 25*36*77 mm

Model No. AK-W-57

0.98*1.42*3.03 inch

SZOMK

*Customizable
Cutout, sticker
Silkscreen, color*



Weight: 17g

Size: 25*36*77 mm

Model No. AK-W-57

0.98*1.42*3.03 inch

SZOMK

*Customizable
Cutout, sticker
Silkscreen, color*



Weight: 17g

Size: 25*36*77 mm

Model No. AK-W-57

0.98*1.42*3.03 inch

SZOMK

Customizable
Cutout, sticker
Silkscreen, color



Weight: 17g

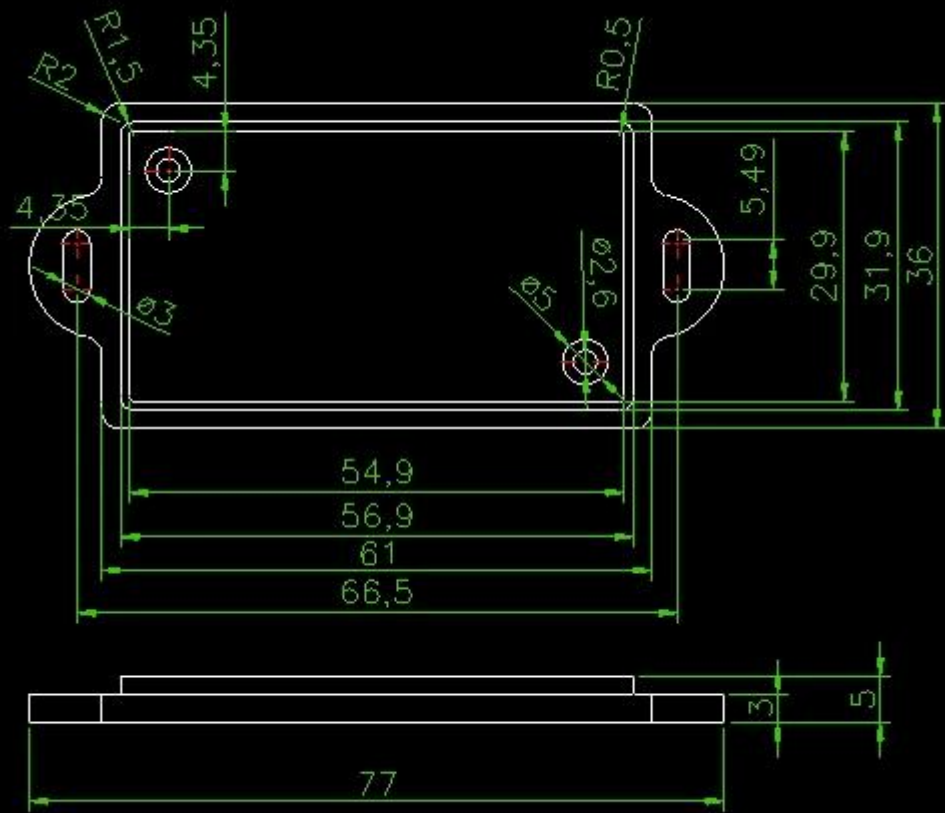
Size: 25*36*77 mm

Model No. AK-W-57

0.98*1.42*3.03 inch

□□	□ □ □□□□ □□ □□□ □
□□ □□	AK-W-57
□□	25X36X77mm
□□	17g
□□	□□□ □ □□□ □□ □□ □□

□□□□ □□□ □□ □□ □□:



□□□ □□□ □□□□ □ □□ □□□ □□□□□ :



- 1 000, 00 0.
- 2 000, 000 00, 000 00, 000 0
- 3 00 00 00, 000000 00 0 3-5 0 (0000 00)
- 000 000 00 00000 4

00 00 :



□□, □□, □□□, □□, □□ □□ □□, □□ □□□□, □□, □□ □□ □□, □□□ □ □□ □□, □□ □□, □□□□, □□□□□ □□ □□ □□□□□.

[□□□□ □□ □□ □□ □□□□ □ □□:](#)

□□ □□ □□□	1-3working □
□□ □□□ ...□□ □□	3-10 □□ □
□□ □□□ □□ □ □□	10-20working □

□ :

□□ □□ □□□□□ □□□ □□□ □ □□ □ □□ □□ □□ □□ □□ □□ □□ 24 □□ □□ □□□ □□ □□ □□.