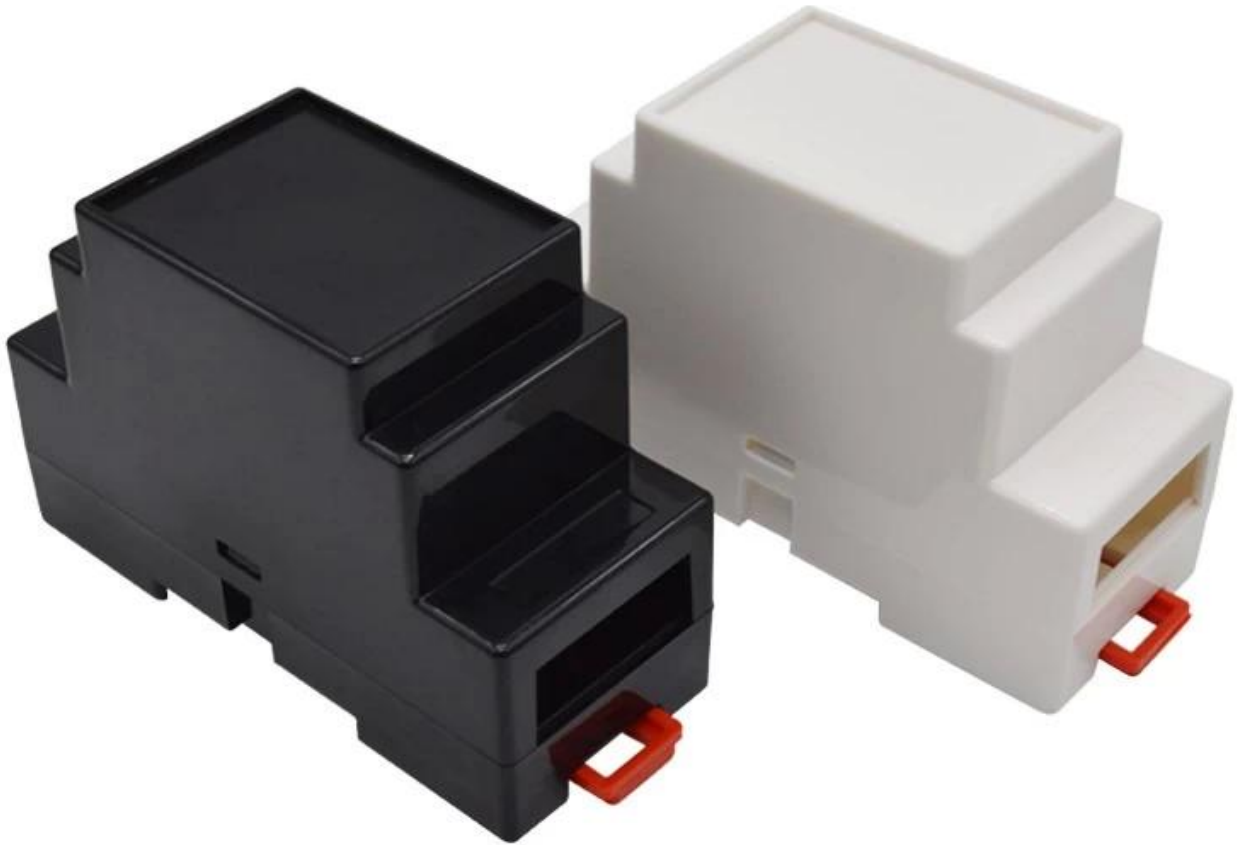


# SZOMK



▶ **Enclosure Manufacturer**  
[www.chinaenclosure.com](http://www.chinaenclosure.com)

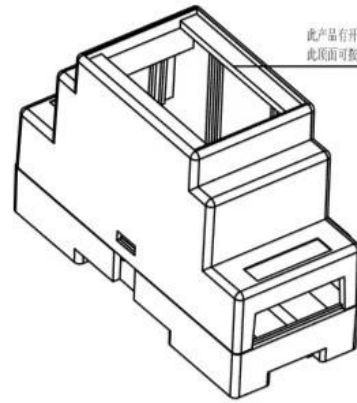
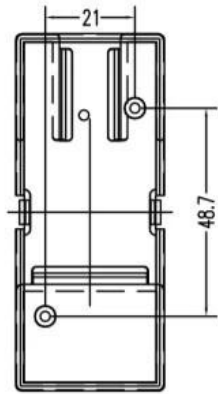
# SZOMK

Customizable  
cutout, sticker  
silkscreen, color

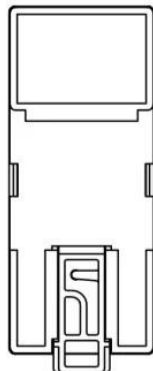
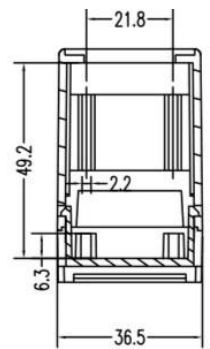
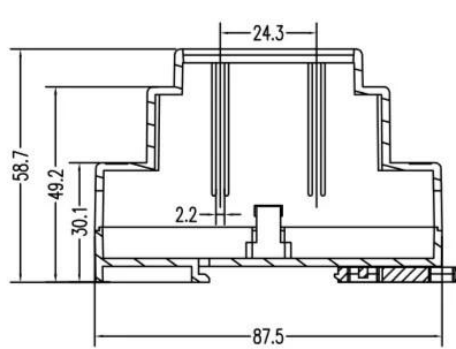
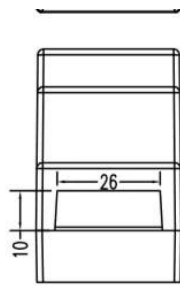
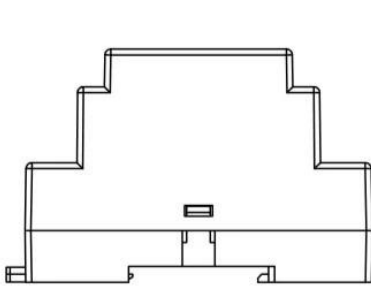
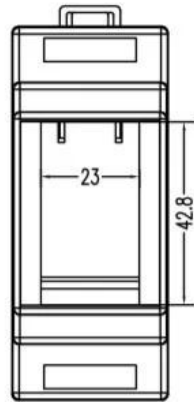


Weight: 40g  
Model No. AK-DR-01

Size: 3.46\*1.46\*2.32 inch  
88\*37\*59 mm



此产品有开孔与未开孔两款，  
此页面可恢复未开孔。



## ABS 塑料

1. ABS 塑料是一种热塑性塑料，具有良好的机械性能、耐热性和耐化学性。
2. ABS 塑料广泛应用于汽车、电子、机械等领域。
3. ABS 塑料的回收和再利用非常重要，可以减少环境污染。

1. ABS 塑料的回收和再利用非常重要，可以减少环境污染。
2. ABS 塑料的回收和再利用非常重要，可以减少环境污染。
3. ABS 塑料的回收和再利用非常重要，可以减少环境污染。
4. ABS 塑料的回收和再利用非常重要，可以减少环境污染。



**Company Information**



**Shenzhen Futian Huaqiang Electronic World OMK Electronic Sales Department**

This complex, during long years of efforts with its own experienced group and sole facilities for improvement of productions and promotion of products quality, is now one of the largest suppliers of all kinds of metallic and plastic enclosures in different fields of electronic, electrical, communication, medical, industrial and research projects purposes.

In today's industrial world and with the rapid development of all industries, the need of these products is sensed more than ever. Therefore by offering the best quality and service, we try to meet these needs and help you to reach your ideals.

## Factory and showroom



## Certificate



## Packaging & Shipping



☐☐ ☐☐ :



T/T, WESTERN UNION, MONEY  
GRAM AND PAYPAL ACCPETED.

Skype: 86-13392896082

Tel: 86-13392896082

Email: kevin@chinaenclosure.com

[Contact Us](#)