

It is widely used in electronic, instrumentation, automation, communications, power supply units, student projects, amplifiers, Medical and wellness devices, test and measurement equipment, industrial control, peripheral devices and interfaces, switch boxes.



**abs** [unclear] [unclear] [unclear] [unclear] [unclear] [unclear]

1. [unclear], [unclear], [unclear] [unclear] [unclear] [unclear] [unclear] [unclear].
2. [unclear] [unclear] [unclear] [unclear] [unclear] [unclear] [unclear] [unclear] [unclear] [unclear] [unclear] [unclear].
3. [unclear] [unclear], [unclear] [unclear] [unclear] [unclear] [unclear] [unclear] [unclear].

[unclear] [unclear] [unclear] [unclear] [unclear] [unclear]

- 1 Drilling, Punching, etc. [unclear] [unclear] [unclear].
- 2 [unclear] [unclear], [unclear], [unclear], [unclear] [unclear], [unclear] [unclear], [unclear], [unclear], [unclear] [unclear].
- 3 [unclear] [unclear], [unclear] [unclear] [unclear] [unclear] 3-5 [unclear] (unclear [unclear])
- 4 [unclear] [unclear] [unclear] [unclear] [unclear] [unclear]

**ABS** [unclear] [unclear] [unclear] [unclear] [unclear] [unclear]

# SZOMK



▶ **Enclosure Manufacturer**  
[www.chinaenclosure.com](http://www.chinaenclosure.com)

# SZOMK

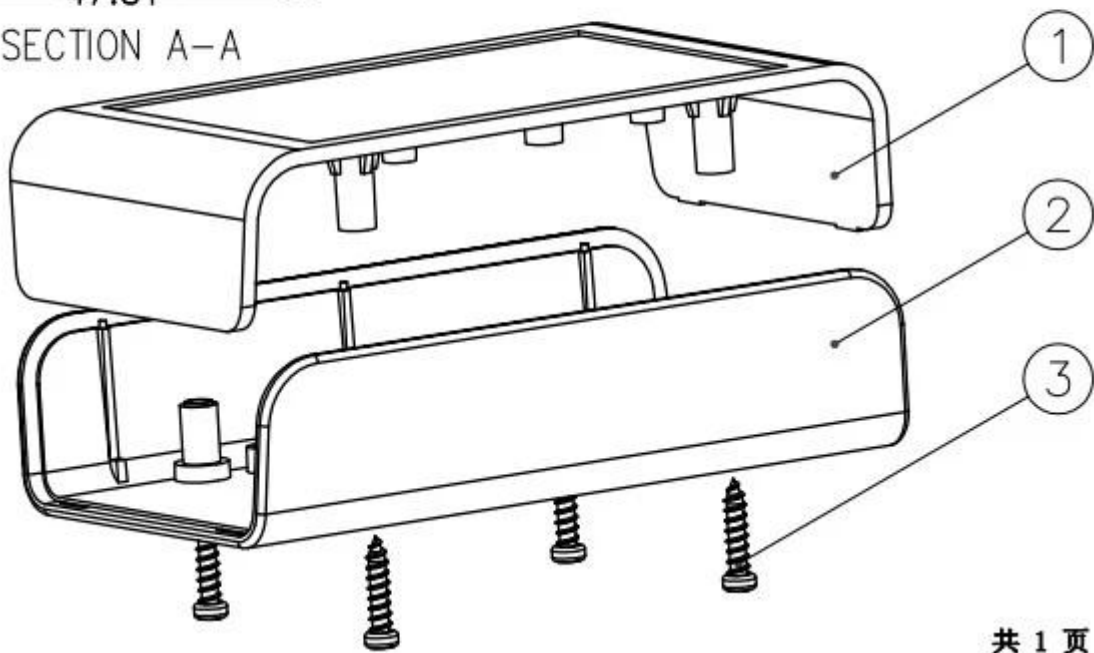
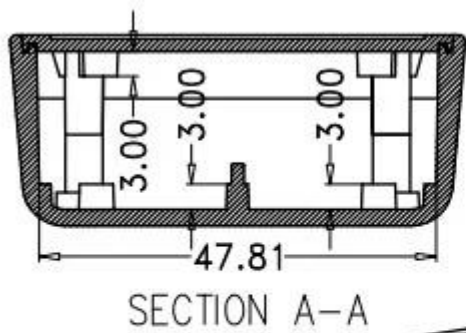
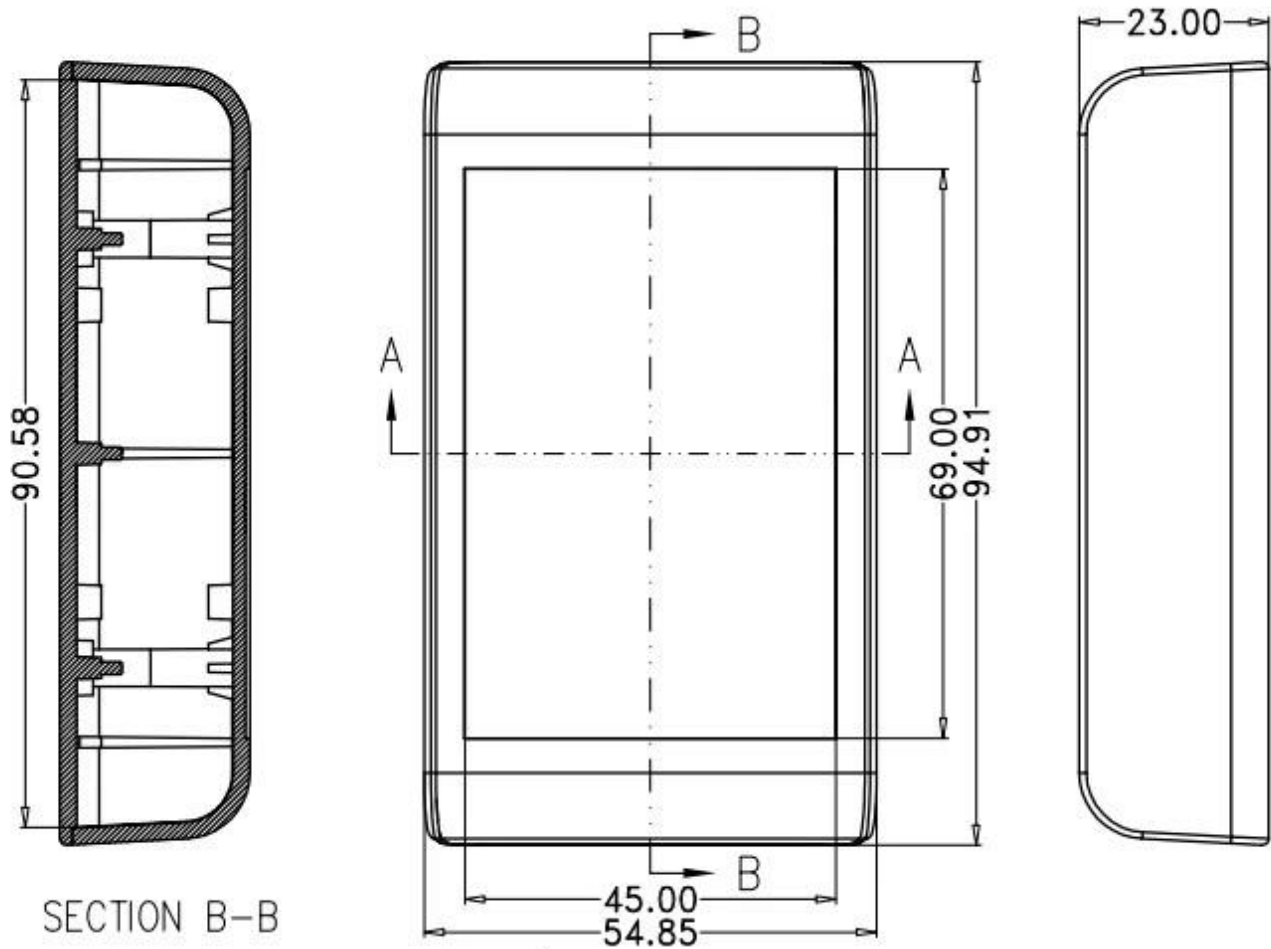
Customizable  
cutout, sticker  
silkscreen, color



Weight: 24g  
Model No. AK-S-01

Size: 3.15\*1.97\*0.75inch  
80\*50\*19 mm

□□ □□





**SZOMK**

# WE CAN DO



- ✓ **Provide thousands of public enclosure** *MOQ: 1 piece*
- ✓ **Small order custom** *MOQ: 20-30 pcs*
- ✓ **Design private custom enclosure (provide PCB)**
- ✓ **Molding, tooling (provide sample / STEP file)**



cutout, laser engrave, screen printing, sticker, acrylic plate, pvc label, color, silica gel rings, etc.



# WE CAN DO

**For HOUSING some of the Processing, Openings, Screen, Stickers, PVC LABEL**



□ □ □ □ □



## Our packaging

Plastic foam packaging



Metal shell packaging



Plastic box packaging



# Packaging & Shipping

**TNT**  
sure we can

**UPS**  
WE LOGISTICS™

**SF EXPRESS**  
顺丰速运

**FedEx**  
Express

**EMS**

**DHL**

**PayPal** | **WESTERN UNION** | **VISA** | **ESCROW** | **MasterCard** | **HSBC**

□□□□



Email

[jamila@szomk.com.cn](mailto:jamila@szomk.com.cn)



skype

szomk-004



Tel

86-755-83222882

86-18684887280



QQ

2804842423



WhatsApp

86-18684887280



Add

616Room,505 Building ,Shangbu industry,  
Hangtian road ,Futian district ,Shenzhen,  
China,518031