

□□ :

- , □□□ □□□ □□ □□□□ □□□.
- 2 □ □ □ □ □□, □□ □□ (□□ □ □□).
- 3, □□□ (□□□□□□)□ □□ □□□ □□
- 4, □□□ □□□ □□.
- 5□ □□□ □□□□ □□□ □□□□□□
- (6) □□□ □□□ □□ □□□.

□□ □□ □□ :

□□ □□ □□ □□□ □□ □ □ □□ □□□ □□ □□ □□, □□ □□, □□ □□□ □□□□ □□ □□□ □□□ □□, □□ □□□ □  
□ □□, □□, □□ □□, □□ □□□□□□, □□, □□, □□, □□ □□, □□, □□, □□, □□ □□, □□ □□.

**SZOMK**



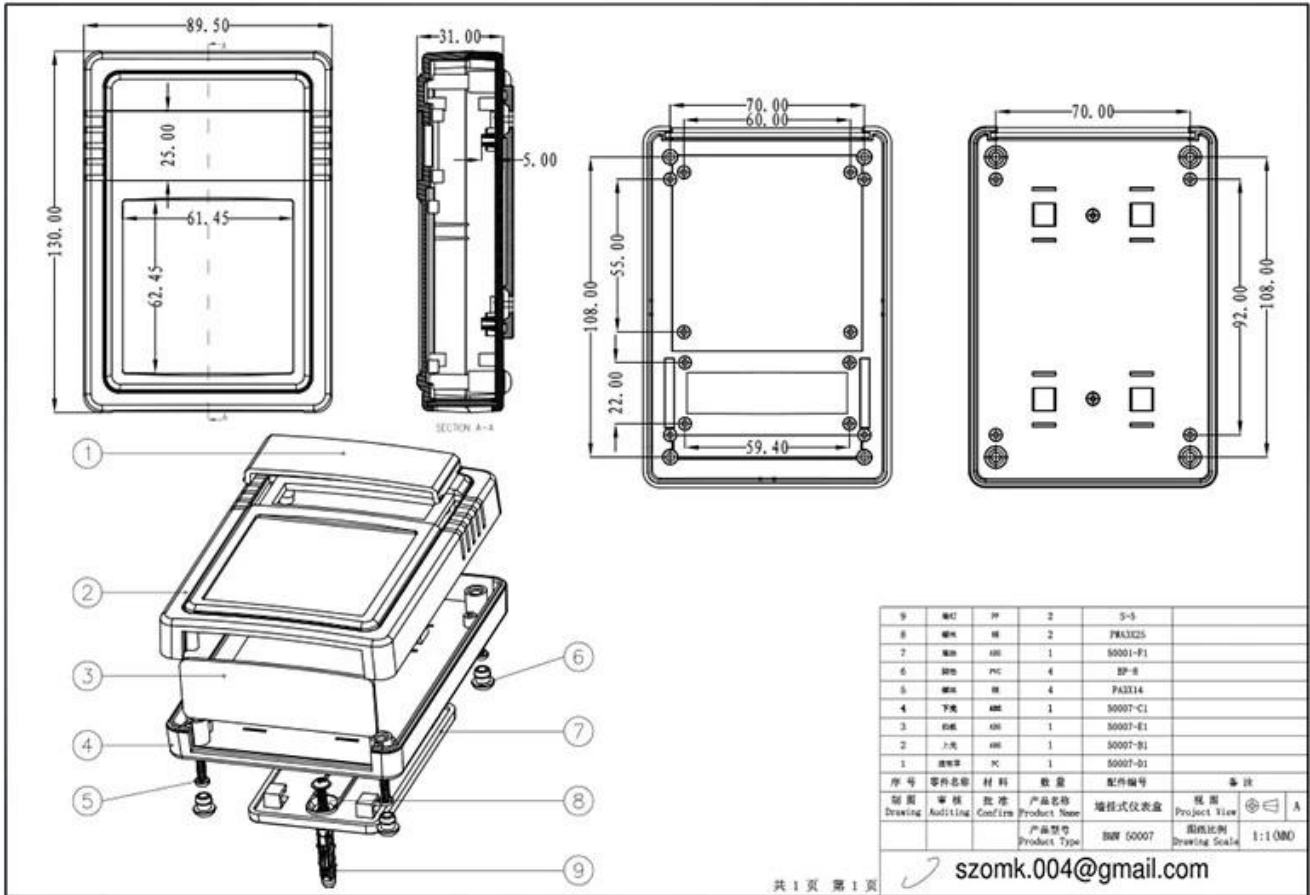
▶ **Enclosure Manufacturer**  
[www.chinaenclosure.com](http://www.chinaenclosure.com)

**SZOMK**



**SZOMK**





# SZOMK

产品型号(MODEL NO.): BMW 50007-A1

产品尺寸 ( SIZE ): 130×89×35MM

产品重量(WEIGHT): 109 g

szomk.004@gmail.com



19221557



|  |   |  |  |
|--|---|--|--|
|  | <p>产品编号(NUMBER): 50007-B1<br/>           产品名称(NAME): 上壳 EPV VALVE<br/>           模具编号 (P/N): BAH110035-A1<br/>           材料(MATERIAL): ABS(G3T)GREY(PS20412)<br/>           用量(QUANTITY): 1 PCS<br/>           重量(WEIGHT): 46 g</p> |  | <p>产品编号(NUMBER): 50007-C2<br/>           产品名称(NAME): 下壳 HYPOTHIGA<br/>           模具编号 (P/N): BAH110035-A2<br/>           材料(MATERIAL): ABS(G3T)GREY(PS20412)<br/>           用量(QUANTITY): 1 PCS<br/>           重量(WEIGHT): 43g</p> |
|  | <p>产品编号(NUMBER): 50007-D1<br/>           产品名称(NAME): TRANSLUCENT QVIB<br/>           模具编号 (P/N): BAH110035-A3<br/>           材料(MATERIAL): PC(茶色.0571)<br/>           用量(QUANTITY): 1 PCS<br/>           重量(WEIGHT): 5 g</p>        |  | <p>产品编号(NUMBER): 50007-E1<br/>           产品名称(NAME): 档板 Baffle<br/>           模具编号 (P/N): BAH110033-A4<br/>           材料(MATERIAL): ABS(L3T)GREY(PS20412)<br/>           用量(QUANTITY): 1 PCS<br/>           重量(WEIGHT): 4 g</p>    |
|  | <p>产品编号(NUMBER): PA3×14<br/>           产品名称(NAME): 县县螺BU-TAPPING SCREW<br/>           规格(STANDARD): M3×14<br/>           材料(MATERIAL): 铁 IRON<br/>           用量(QUANTITY): 4 PCS</p>  |  | <p>产品编号(NUMBER): BP-8<br/>           产品名称(NAME): 垫圈 PCOTPEAL<br/>           模具编号 (P/N): BAH110020-A4<br/>           材料(MATERIAL): PVC(Y)HTECM70701<br/>           用量(QUANTITY): 4 PCS<br/>           重量(WEIGHT): 0.258 g</p>       |
|  | <p>产品编号(NUMBER): 50001-F1<br/>           产品名称(NAME): 绿板 WALL SEAL<br/>           模具编号 (P/N): BAH110096-A5<br/>           材料(MATERIAL): ABS(G3T)GREY(PS20412)<br/>           用量(QUANTITY): 1 PCS<br/>           重量(WEIGHT): 12 g</p> |  | <p>产品编号(NUMBER): PW3×25<br/>           产品名称(NAME): 县县螺BU-TAPPING SCREW<br/>           规格(STANDARD): M3×25<br/>           材料(MATERIAL): 铁 IRON<br/>           用量(QUANTITY): 2 PCS</p>   |
|  | <p>产品编号(NUMBER): 5-5<br/>           产品名称(NAME): 堵钉 WALL SEAL<br/>           模具编号 (P/N): BAH110032-A1A2<br/>           规格(STANDARD): 5×5 φ3-4<br/>           材料(MATERIAL): PP(GREY)CM4908<br/>           用量(QUANTITY): 2 PCS</p>     |  |  |



QQ

2406659781



Tel

86-755-83222882  
86-18598241813



Add

628Room,505 Building ,Shangbu industry,  
Hangtian road ,Futian district ,Shenzhen,  
China,518031



Email

emily@szomk.com.cn



skype

szomk1010