

SZOMK 产品 介绍

1. 产品, 规格, 详细 介绍.
2. 产品 价格 列表 或 向 我们 索取 详细 产品 目录.
3. 我们 提供 各种 规格 产品.

我们 提供 哪些 产品?

1. 产品, 规格 列表. 详细 介绍 产品 规格.
 2. 产品 价格, 规格, 尺寸, 重量, 颜色, 材质, 品牌, 产地 等 信息.
 3. 产品 目录, 详细 介绍 产品 3-5 年 (详细 介绍)
- 我们 提供 4 种 产品
- 产品 介绍

SZOMK



▶ **Enclosure Manufacturer**
www.chinaenclosure.com

SZOMK

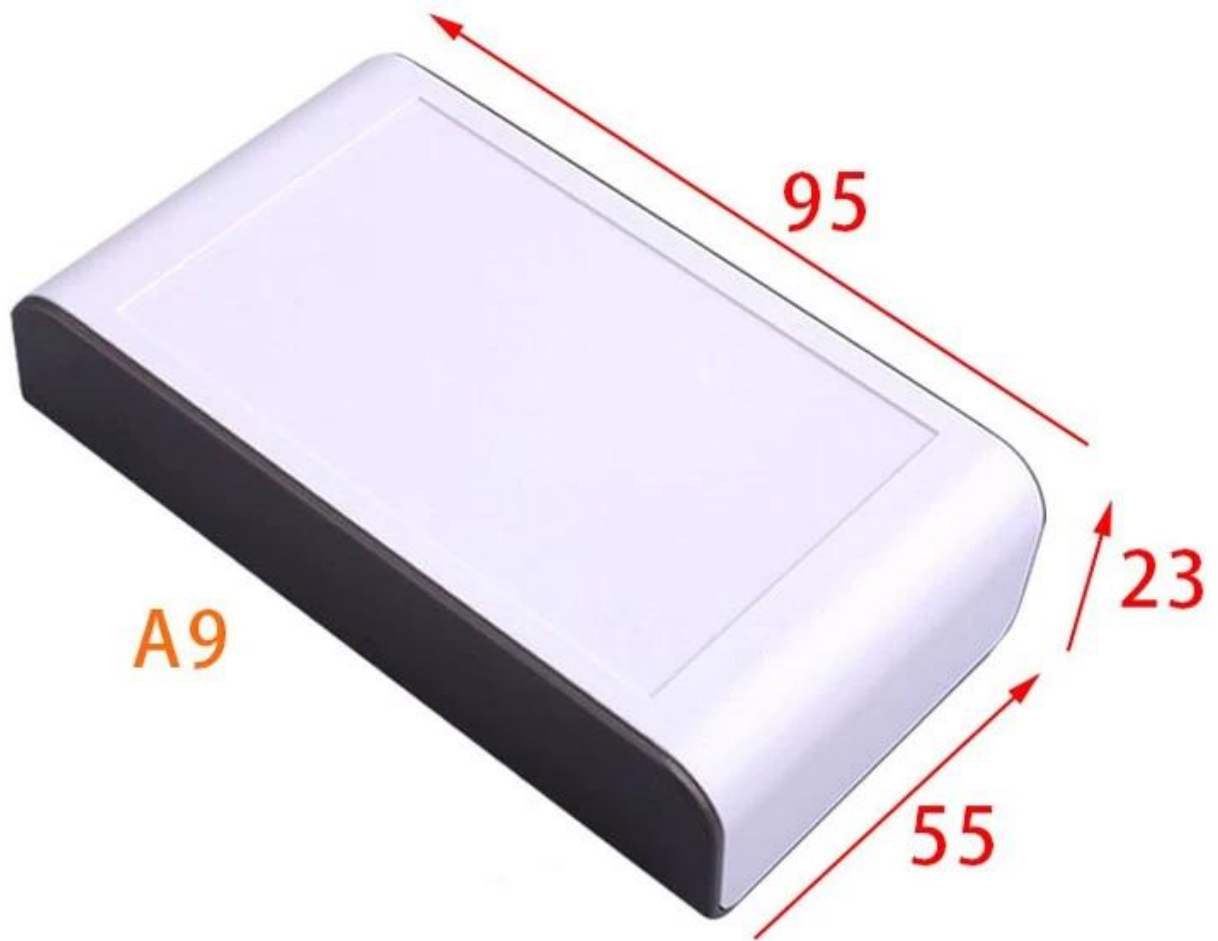
Customizable
cutout, sticker
silkscreen, color



Weight: 36g
Model No. AK-S-02

Size: 3.74*2.17*0.91 inch
95*55*23 mm

SZOMK

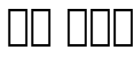
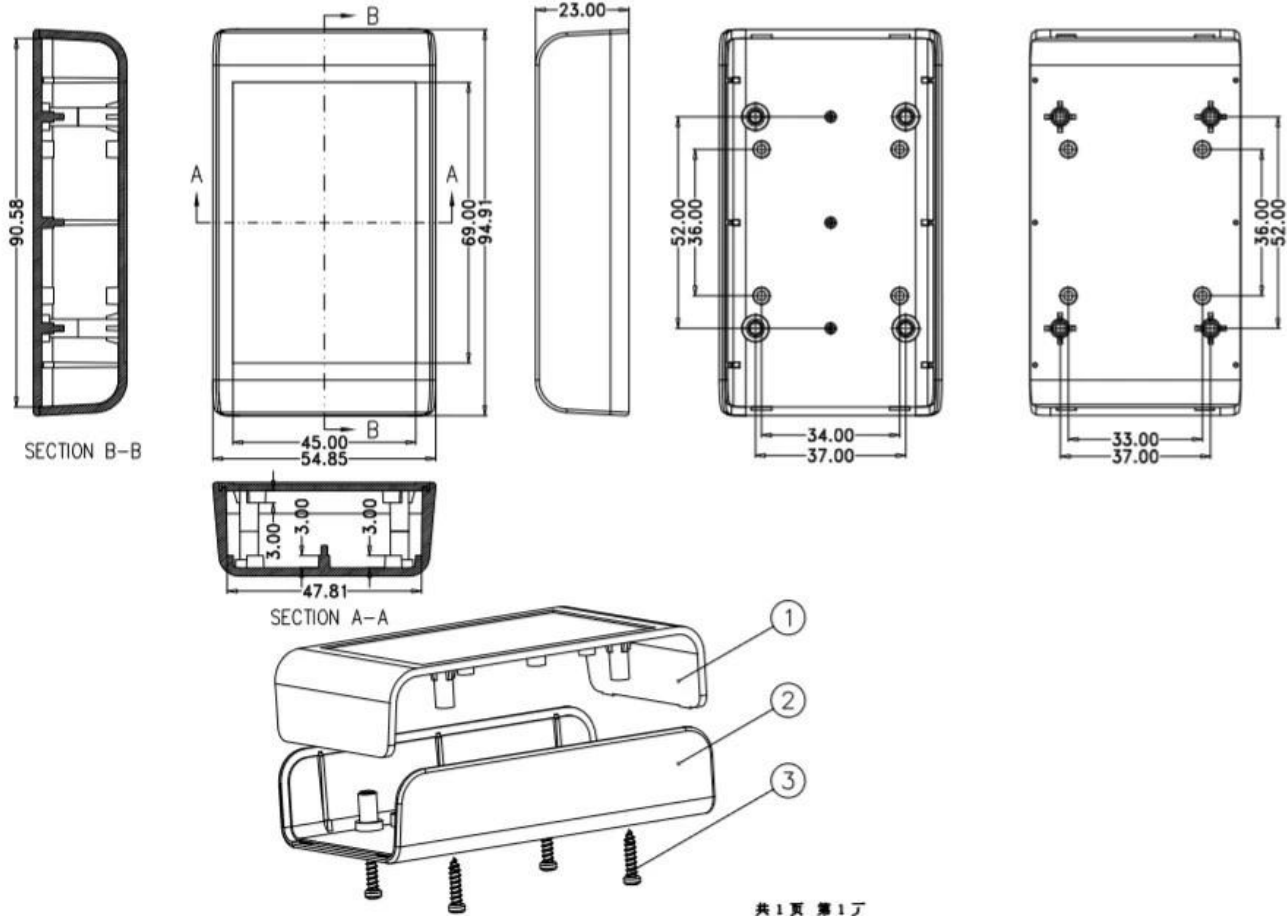


SZOMK



SZOMK







Company Information



Shenzhen Futian Huaqiang Electronic World OMK Electronic Sales Departmen

This complex, during long years of efforts with it's own experienced group and sole facilities for improvement of productions and promotion of products quality, is now one of the largest suppliers of all kinds of metallic and plastic enclosures in different fields of electronic, electrical, communication, medical, industrial and research prtojects purposes.

In today's industrial world and with the rapid development of all industries, the need of these products is sensed more than ever. Therefore by offering the best quality and service, we try to meet these needs and help you to reach your ideals.

Factory and showroom



Exhibition



Certificate



Packaging & Shipping



□□ □□



QQ

2110283100



Tel

81-755-83222882
+86 18819074698



Add

16-6Floor, 505Building ,Shangbu Industry
Area, Hangtian RD, Futian District ,Shenzhen
China



Email

teddy@szomk.net



skype

teddy@szomk.net



WeChat

teddy07277