

□□□ □□□ □□□ □□ □□□□ □□□ □□□□

1, □□ □□□□ □□

2, □□□ □□□ □□□ □□□

(3) □□ □□

4, □□ □□

5, □□□ □□

6, □ □□

7, lasder □□

8, PVC □□

9, □□□ □

10, □□ □□□ □□

11, □□□□ □□□

12 □□□□ □□

13, □□ □□□□

14 □□□ □□□

15, UV □□

□□

□□□ □□ □□, □□, □□□, □□, □□ □□ □□ □□, □□ □□□□, □□, □□ □□, □□□ □ □□ □□, □□ □ □□, □□ □□ □ □□□□□□ □□□□, □□□ □□.

□□ :

□□□ □□□ □□□ □□□□□ □□□ □□ □□□ □□ □□ □□□□□, □□□ □□□ 24 □□ □□□ □□□ □□ □□□. :-)

**SZOMK**

Customizable  
cutout, sticker  
silkscreen, color



Weight: 103g  
Model No. AK-H-31

Size: 5.79\*3.46\*0.98inch  
147\*88\*25mm

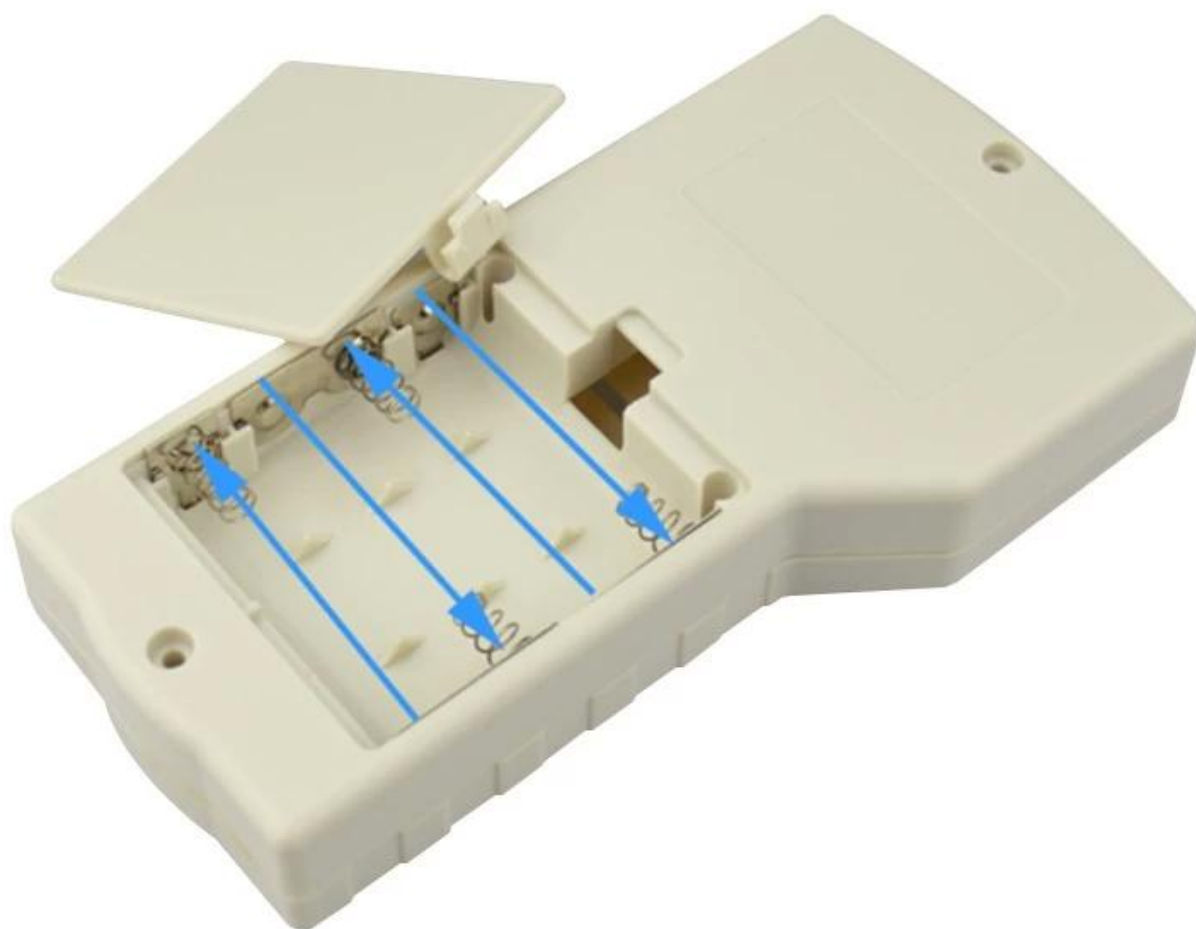
**SZOMK**



**SZOMK**

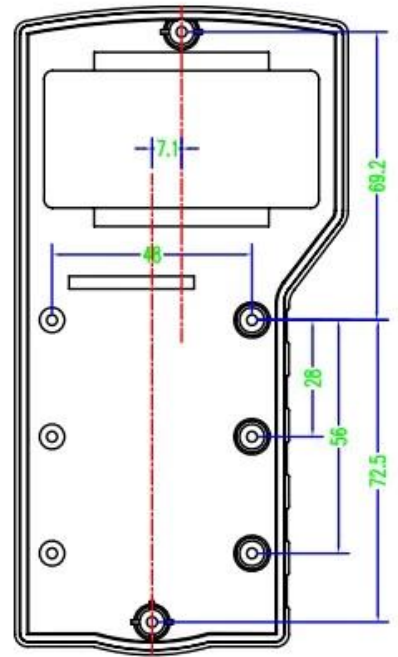
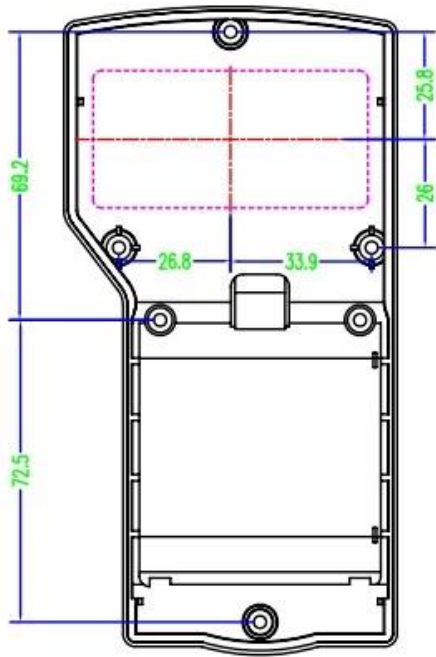
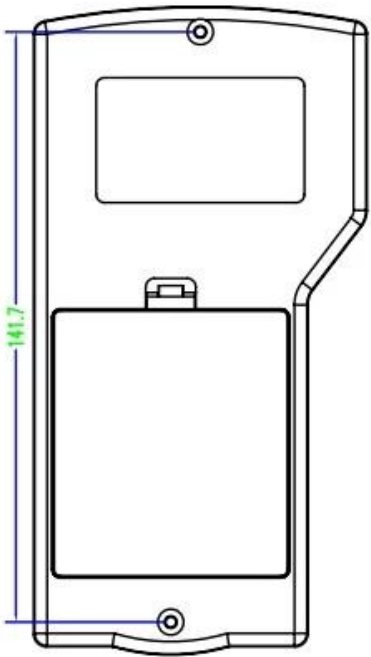
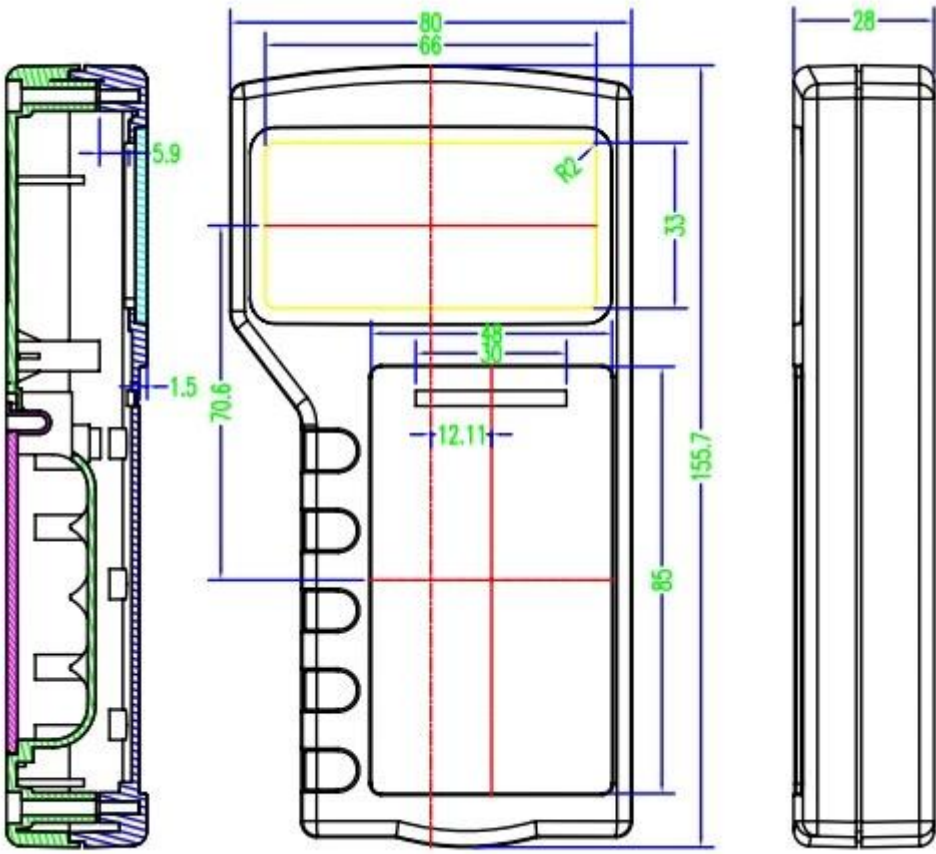


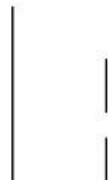
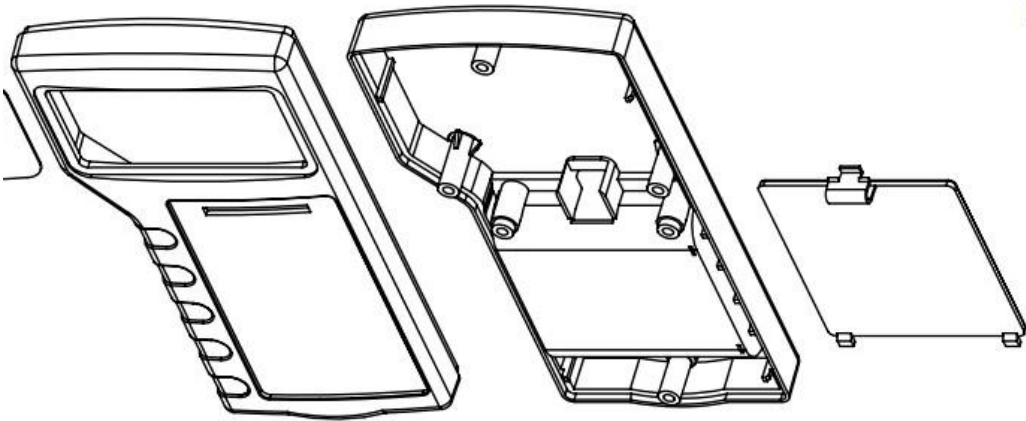
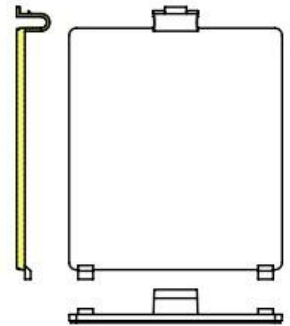
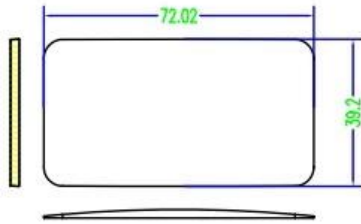
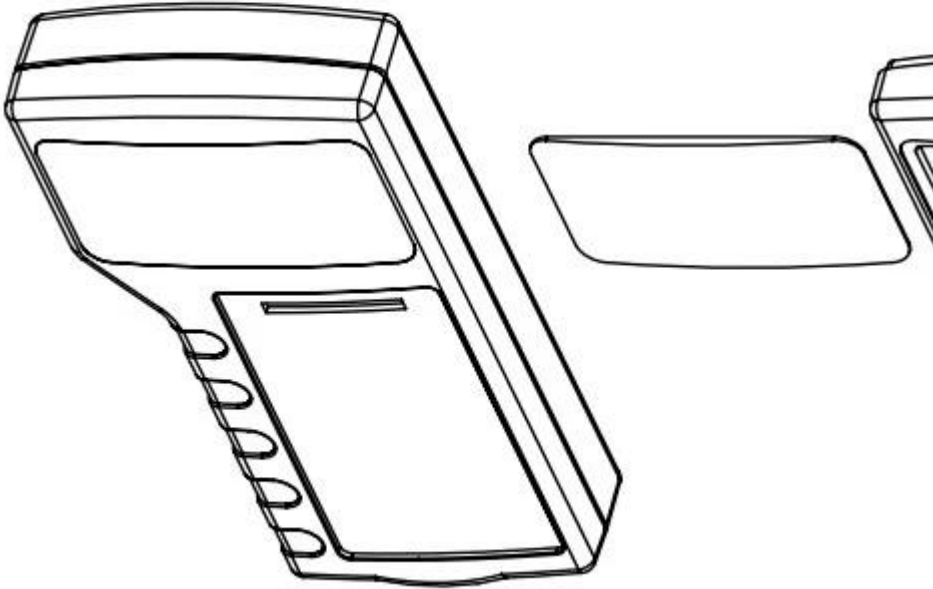
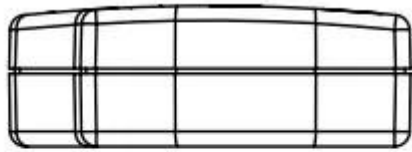
**SZOMK**



**SZOMK**











QQ

505924585



Tel

86-755-83222882  
86-13028816914



Add

628Room,505 Building ,Shangbu industry,  
Hangtian road ,Futian district ,Shenzhen,  
China,518031



Email

[lily@szomk.net](mailto:lily@szomk.net)



skype

szomk006