

□□□:

□□□ : □□ □□

□□ : □ □□□ □□ □□□□ □□ □□

□□ □□ : **AK-H-38**

□□ : **130 * 60 * 26.5mm**

□□ : **ABS** □□

□□ **MOQ : 1** □

□□□ □□□□□: □ □□, □□ □□□, □□, □□□, □□□ □□, □□□ □, □□ □□□□□□

□□□ □□□ □□□□ **MOQ : 20 PC**

□□ : □□

SZOMK



▶ **Enclosure Manufacturer**
www.chinaenclosure.com

SZOMK

Customizable
cutout, sticker
silkscreen, color



Weight: 58g
Model No. AK-H-38

Size: 5.12*2.36*1.04 inch
130*60*26.5 mm

SZOMK



SZOMK

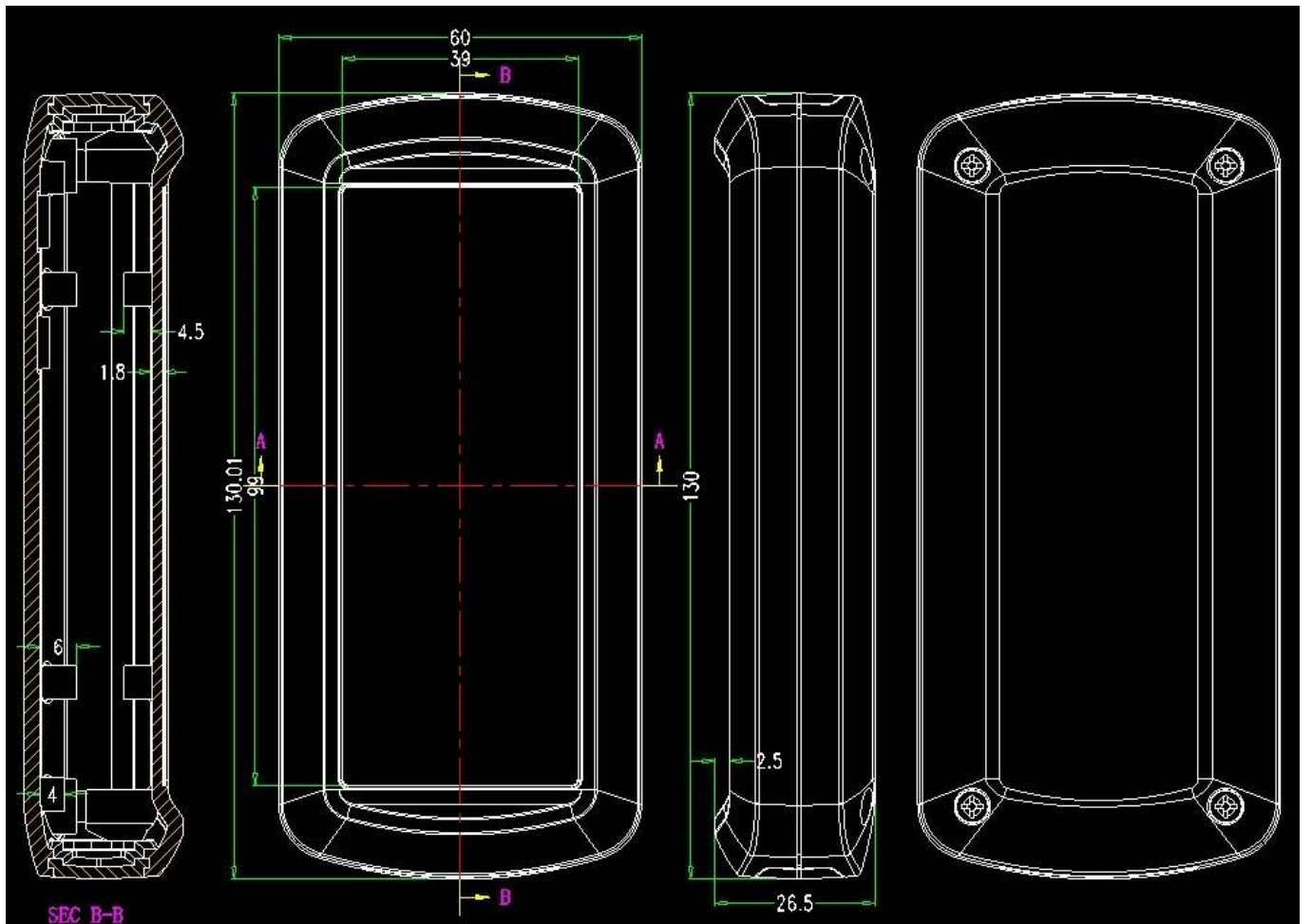


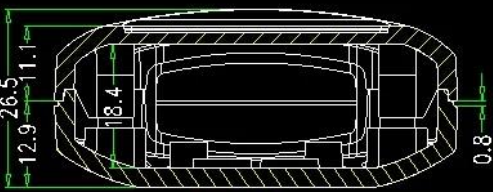
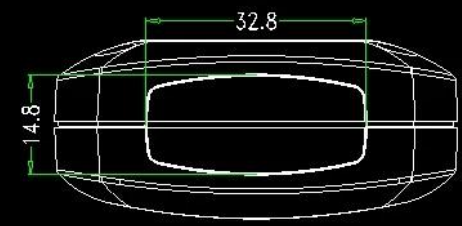
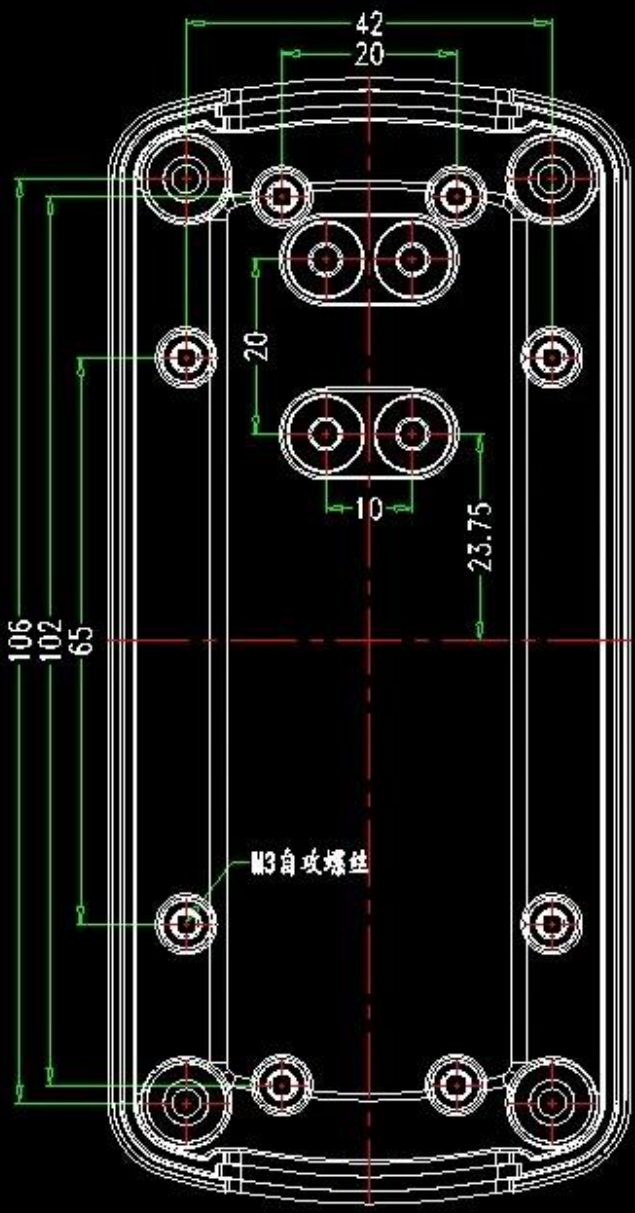
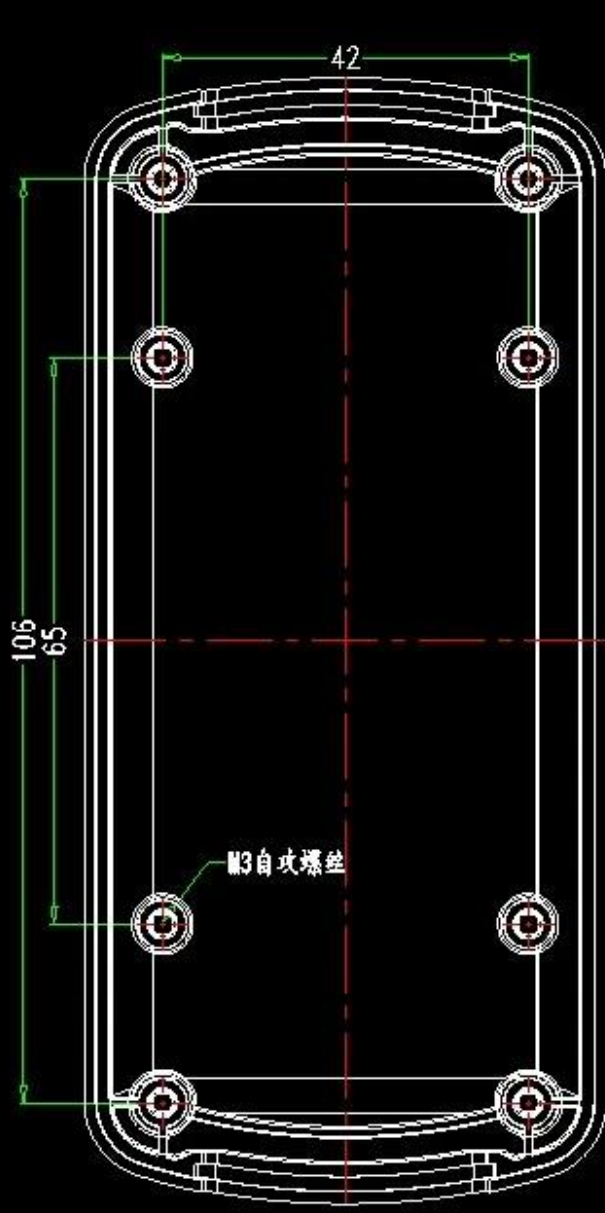
SZOMK



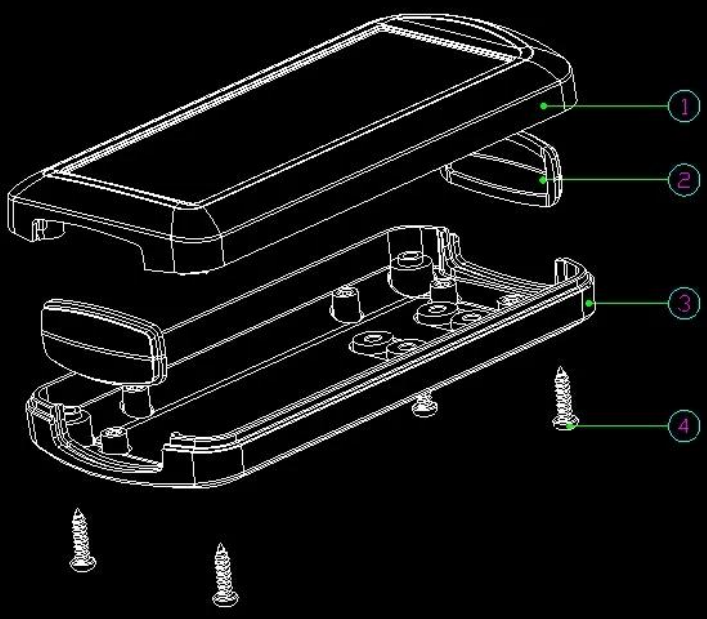
SZOMK







SEC A-A



□□ □□ □□□□ □□□□ :

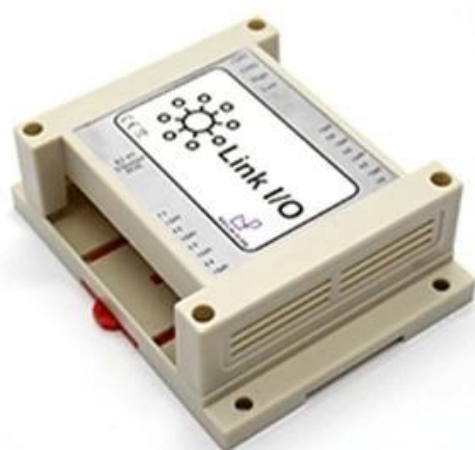
- 1, □□□□ □□ □□
- 2, □□ □□ □□
- 3, □□ □□
- 4, □□ □□
- 5, □□ □ □□
- 6, □ □□
- 7, □ □ □□
- 8, PVC □□
- 9, □□□ □
- 10, □□ □□□ □□
- 11, □□□□ □□□.
- 12, □□□ □ □□□
- 13, □□ □□□□
- 14, □□□ □□□
- 15, □□□ □□ □□
- 16, □□ □□

We can do customize

- Silkscreen**: Images of a silver GPS Logistic device and a black chip tuning box.
- Sticker**: A black chip tuning box with 'CHIP TUNING MAX' branding.
- Silicone Seals**: A blue rectangular silicone seal.
- Color**: A collection of various colored metal plates and strips in blue, black, pink, yellow, and silver.
- Cutout**: A red metal box with two circular cutouts.
- Plate**: A collection of various metal plates and strips in yellow, black, blue, and silver.

We can do customize

Cut holes
Silkscreen
Sticker



We can do customize

change the color



We can do customize

PVC lable
Acrylic plate
Sticker



We can do customize

Cut holes
Silkscreen
Laser carve



We can do customize

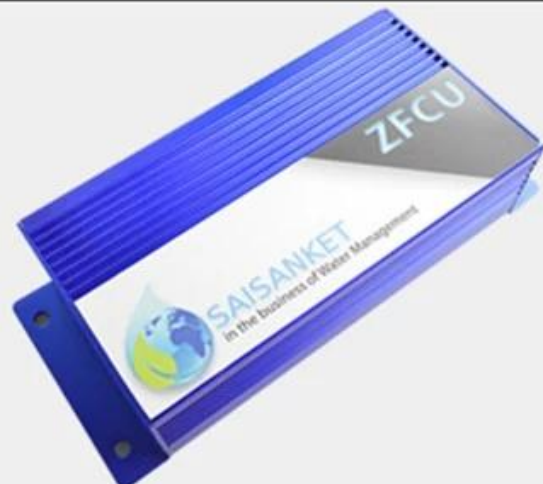


**UV
Protection**



We can do customize

Cut holes
Silkscreen
Sticker



We can do customize



☐☐:

☐☐, ☐☐, ☐☐☐, ☐☐, ☐☐ ☐☐ ☐☐, ☐☐ ☐☐☐☐, ☐☐, ☐☐ ☐☐, ☐☐☐ ☐ ☐☐ ☐☐, ☐☐ ☐☐, ☐☐ ☐☐
☐ ☐☐☐☐, ☐☐☐ ☐☐ ☐☐ ☐☐☐☐☐.

It is widely used in electronic, instrumentation, automation, communications, power supply units, student projects, amplifiers, Medical and wellness devices, test and measurement equipment, industrial control, peripheral devices and interfaces, switch boxes.



□□:

□□ □□ □□□□ □□ □□□□ □ □ □□ □□ □□ □ □ □□ □□ □□ □ □ 24 □□□□ □
□□ □□ □□ □□. :-) :-)



QQ

505924585



Tel

86-755-83222882
86-13028816914



Add

628Room,505 Building ,Shangbu industry,
Hangtian road ,Futian district ,Shenzhen,
China,518031



Email

lily@szomk.net



skype

szomk006

Company Information



Shenzhen Futian Huaqiang Electronic World OMK Electronic Sales Department

This complex, during long years of efforts with its own experienced group and sole facilities for improvement of productions and promotion of products quality, is now one of the largest suppliers of all kinds of metallic and plastic enclosures in different fields of electronic, electrical, communication, medical, industrial and research projects purposes.

In today's industrial world and with the rapid development of all industries, the need of these products is sensed more than ever. Therefore by offering the best quality and service, we try to meet these needs and help you to reach your ideals.

Exhibition



Certificate



Factory and showroom



Packaging & Shipping



Shenzhen Futian Huaqiang Electronic World OMK
Electronic Sales Department

Tel: +86-755-83222882 E-mail: hyj@szomk.com.cn



SZOMK

Our packaging

Plastic foam packaging



Metal shell packaging

Plastic box packaging



查詢 詳情 歡迎 垂詢 電話 號碼 或 郵箱 : lily@szomk.net

查詢 詳情 **24** 小時 服務 熱線 或 郵箱 . : o)