

□□□ □□□ □□□ □□ □□□□ □□□ □□□□

- 1, □□ □□□□ □□
- 2, □□□ □□□ □□□ □□□
- (3) □□ □□
- 4, □□ □□
- 5, □□□ □□
- 6, □ □□
- 7, lasder □□
- 8, PVC □□
- 9, □□□ □
- 10, □□ □□□ □□
- 11, □□□□ □□□
- 12 □□□□ □□
- 13, □□ □□□□
- 14 □□□ □□□
- 15, UV □□

□□

□□□ □□ □□, □□, □□□, □□, □□ □□ □□ □□, □□ □□□□, □□, □□ □□, □□□ □ □□ □□, □□ □ □□, □□ □□ □ □□□□□□ □□□□, □□□ □□.

□□ :

□□□ □□□ □□□ □□□□□ □□□ □□ □□□ □□ □□ □□□□□, □□□ □□□ 24 □□ □□□ □□□ □□ □□□. :-)

SZOMK

Customizable
Cutout, sticker
Silkscreen, color



Model No. AK-H-07b
Weight :77 g

Size : 4.65*3.07*1.3 inch
118*78*33mm

SZOMK



SZOMK

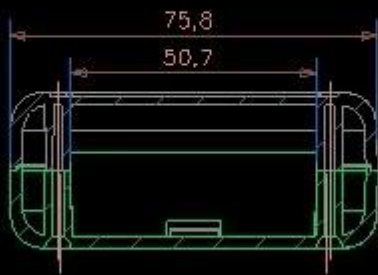
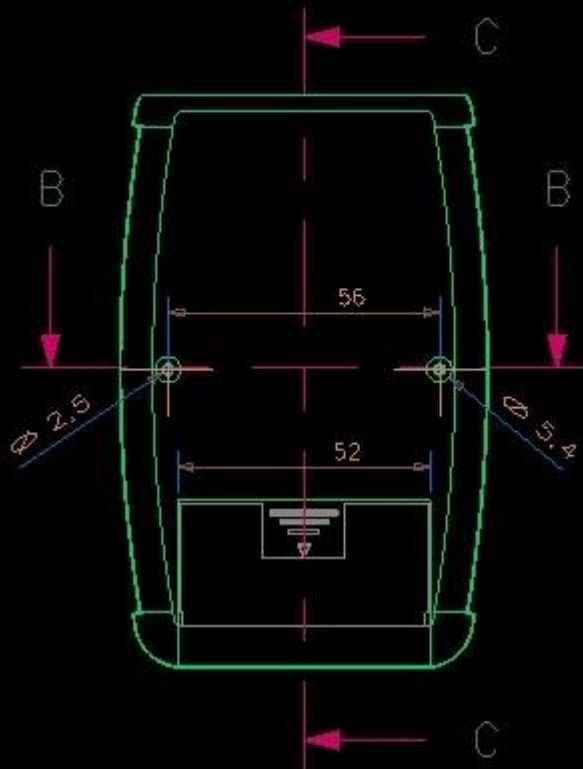


SZOMK

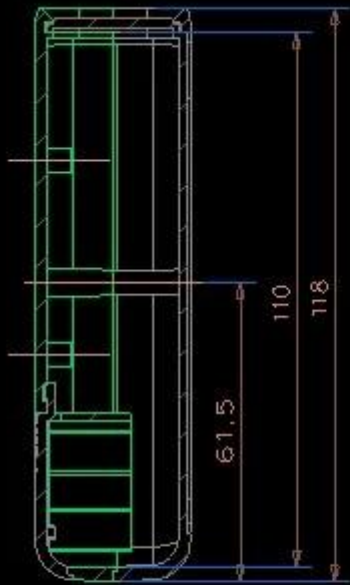


SZOMK

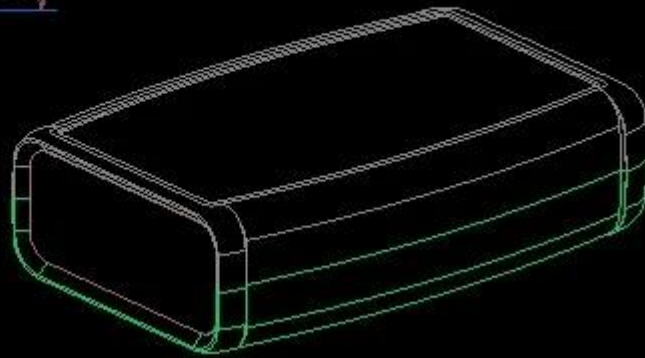




SECTION B-B



SECTION C—C





QQ

505924585



Tel

86-755-83222882
86-13028816914



Add

628Room,505 Building ,Shangbu industry,
Hangtian road ,Futian district ,Shenzhen,
China,518031



Email

lily@szomk.net



skype

szomk006

