

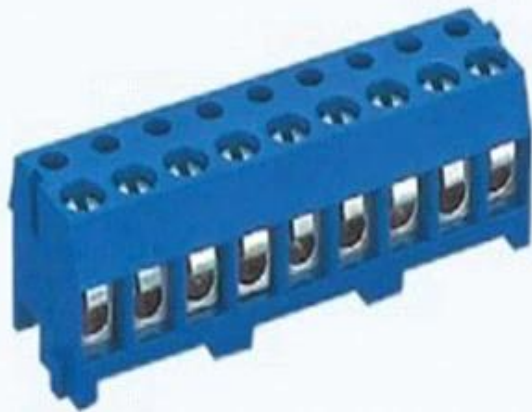
## Snelle Details

- (1) Type: Schroef Terminal Block / Connector
- (2) Plaats van herkomst: Guangdong, China (Vasteland)
- (3) Merknaam: SZOMK
- (4) Model Aantal: AK005-3.5 / 3,81
- (5) Geslacht: Vrouw
- (6) Pitch: 3.5MM 3.81MM
- (7) Materiaal: PBT UL94V-0
- (8) Polen: 2POLE 3POLE elke polen
- (9) Kleur: Blauw
- (10) Toepassing: PCB

## Verpakking & amp; Levering

Details van de verpakking: Polybag en standaard omdoos  
Levering Detail: volgens hoeveelheid, normaliter binnen 3-5 werkdagen na betaling

<b>Technical Parameters for Screw Terminal Block/Connector :</b>		
<b>Electrical Specification</b>	<b>Mechanical Specification</b>	<b>Part &amp; Material</b>
Rated: 250V,16A	Temp.Range: -30C-+120 C	Body: PA66,UL94V-0
Contact resistance: 20mΩ Max	Max Soldering: +250 C,5s	Screw: Steel,Zn plating
Insulation resistance: 5000MΩ Min	Wire range: 22-14AWG(2.5MM2)	Wire Protector: Bronze,Ni plating
Dielectric strength : 2000VAC min/60 seconds	Strip Length: 4.5 -5mm	Terminal: Brass,Tin plating



**Pitch:**

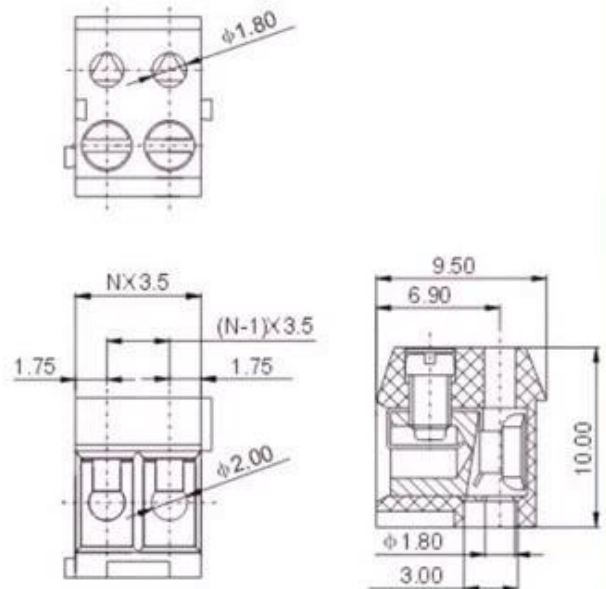
**3.5MM 3.81MM**

**Poles:**

**2pole 3pole to any poles**

**SZOMK**

- **Top quality products with certification of CE,UL,ROHS**
- **Short lead time, normally 3-5 days after payment**
- **Prompt reponse for your inquiry**



**Company Information**



**Shenzhen Futian Huaqiang Electronic World OMK Electronic Sales Departmen**

This complex, during long years of efforts with it's own experienced group and sole facilities for improvement of productions and promotion of products quality, is now one of the largest suppliers of all kinds of metallic and plastic enclosures in different fields of electronic, electrical, communication, medical, industrial and research prtojects purposes.

In today's industrial world and with the rapid development of all industries, the need of these products is sensed more than ever. Therefore by offering the best quality and service, we try to meet these needs and help you to reach your ideals.

## Exhibition



## Factory and showroom



## Packaging & Shipping



sure we can



WE LOGISTICS™



Shenzhen Futian Huaqiang Electronic World OMK  
Electronic Sales Department

Tel: +86-755-83222882 E-mail: [ivy@szomk.com.cn](mailto:ivy@szomk.com.cn)

