

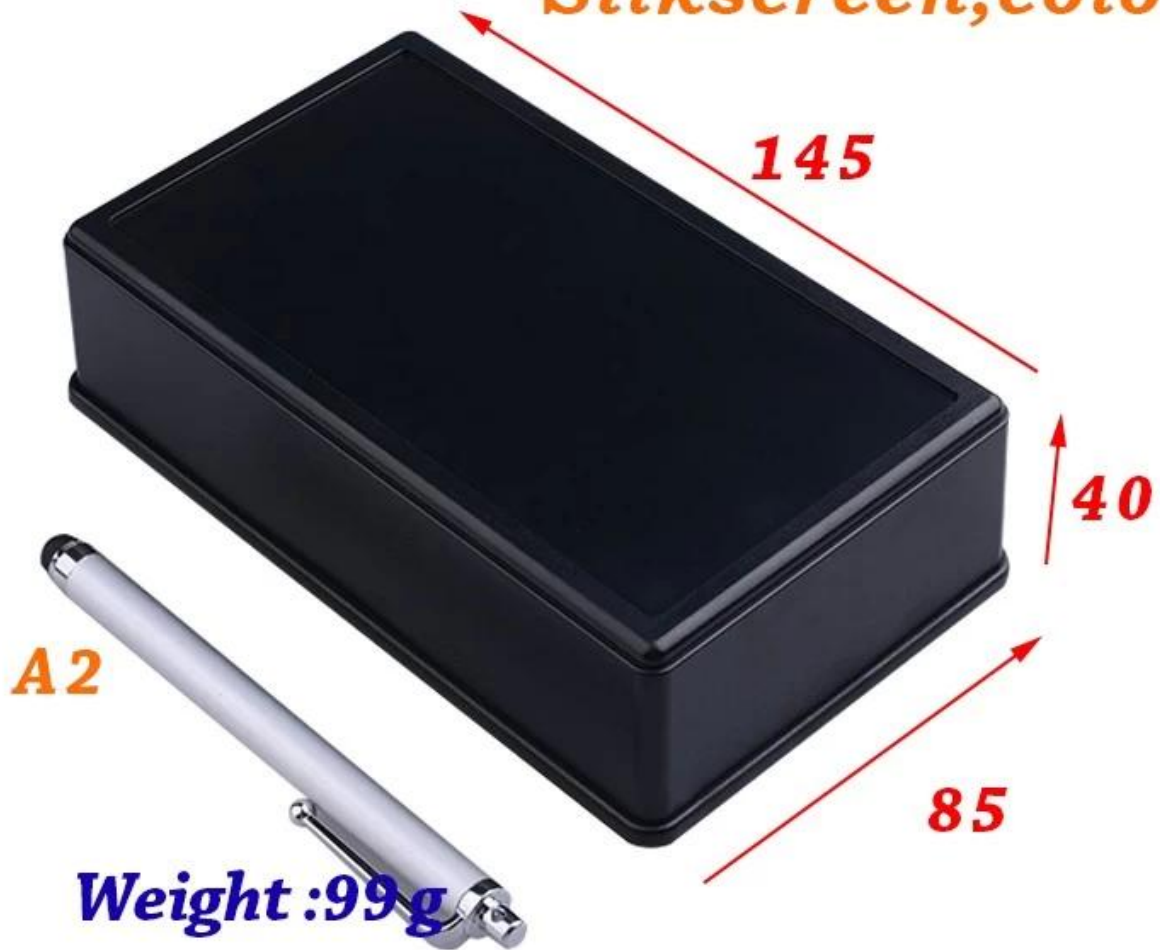
Productomschrijving:

1. Model nummer: AK-S-05
2. Grootte: 145x85x40mm
3. Kleur: Zwart / Wit
4. Gewicht: 99g



SZOMK

**Customizable
Cutout, sticker
Silkscreen, color**



Model No. AK-S-05

145*85*40 mm

Size:5.71*3.35*1.57 inch

SZOMK

**Customizable
Cutout, sticker
Silkscreen, color**



Weight :99 g

Model No. AK-S-05

145*85*40 mm

Size:5.71*3.35*1.57 inch

SZOMK



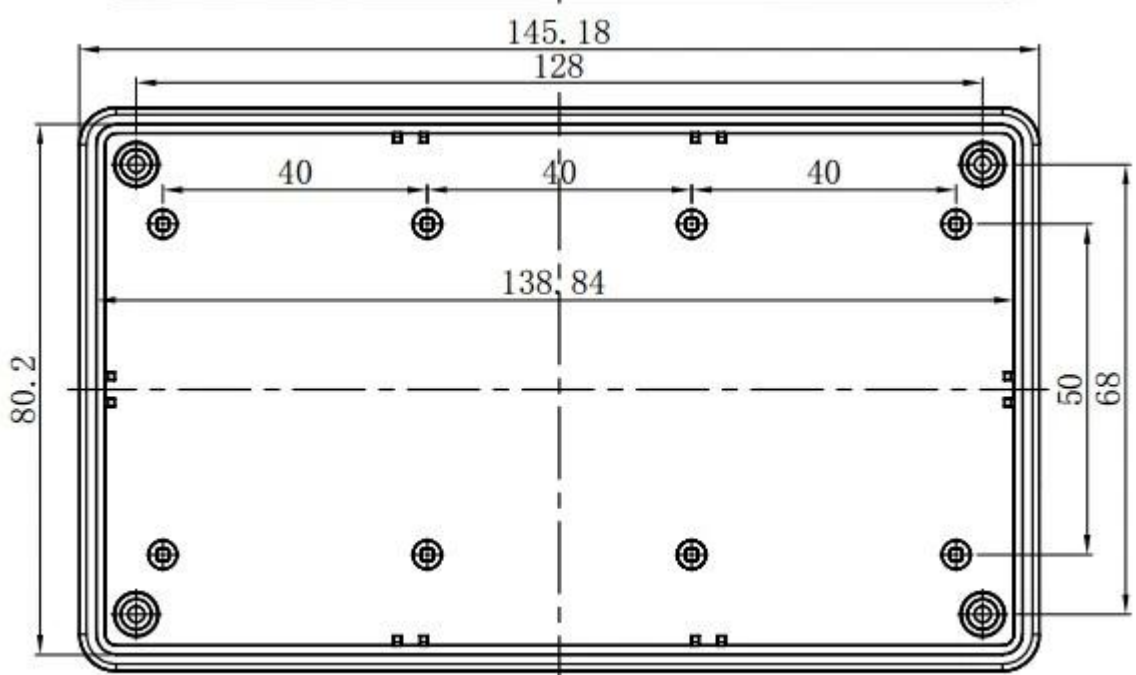
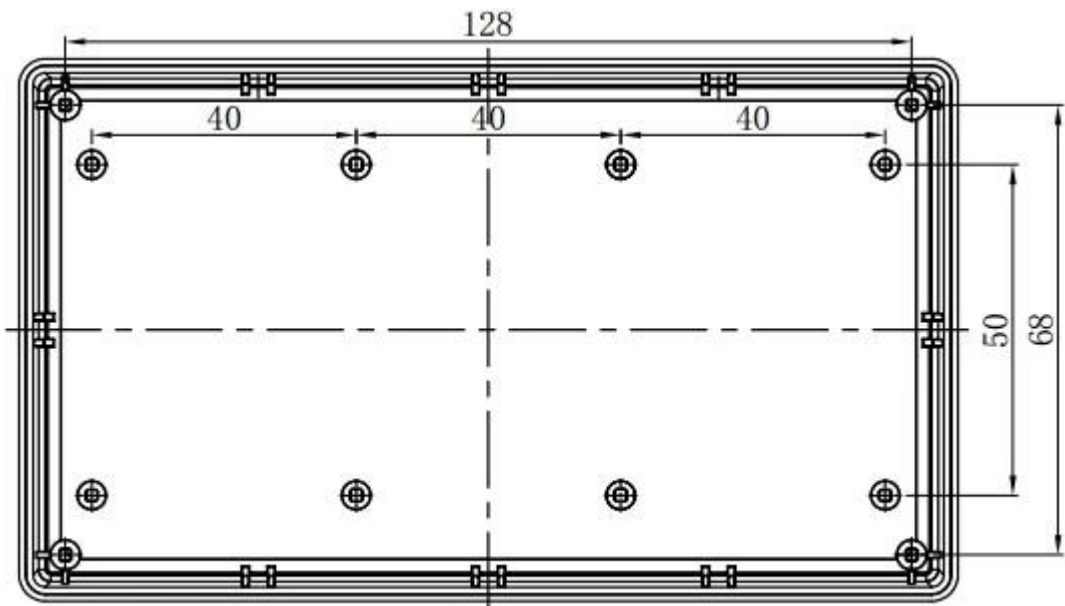
A2

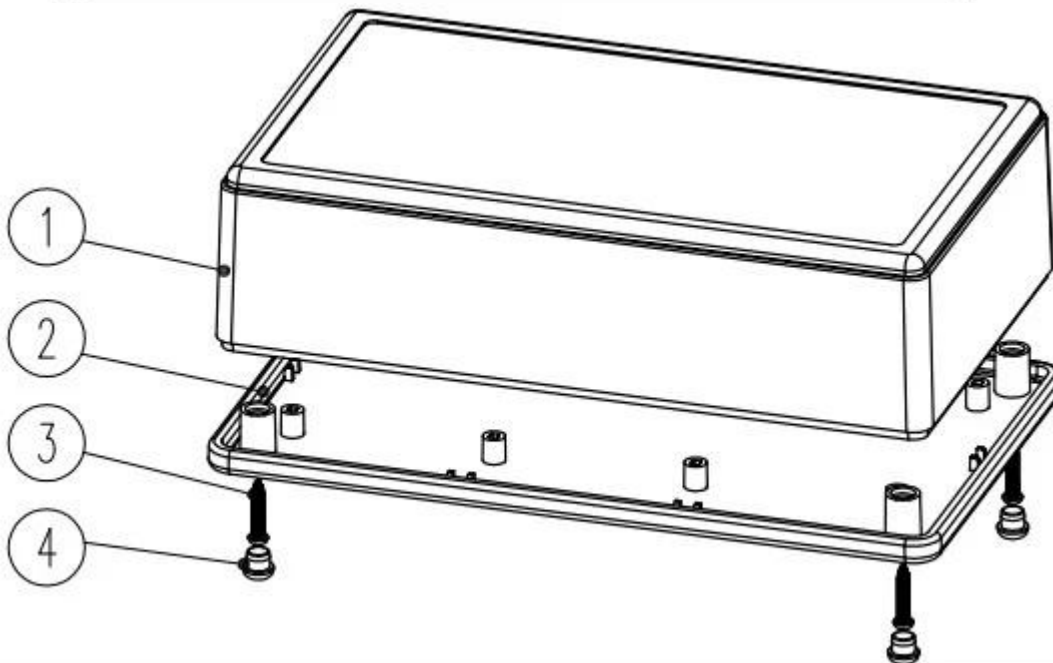
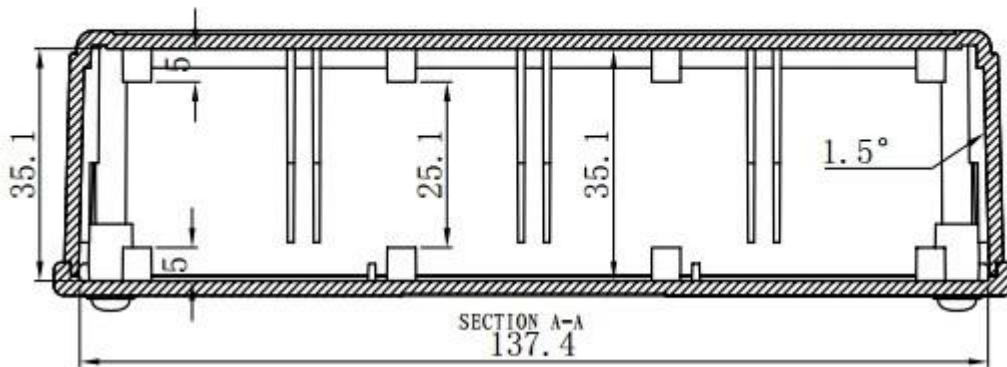
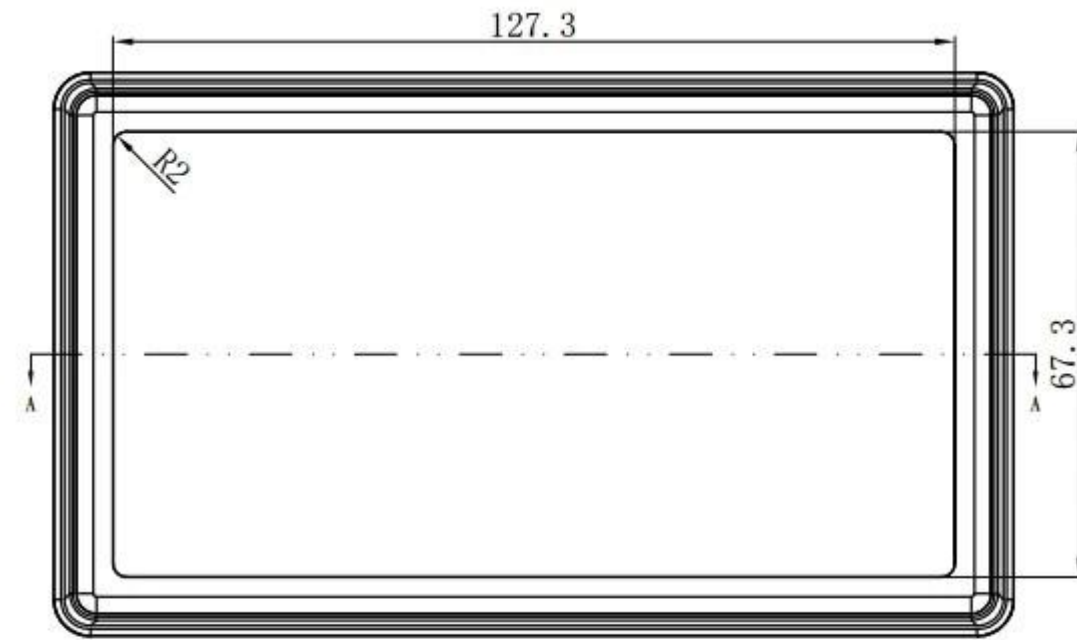


SZOMK



A1





Onze aanpassen service:

1. Verander lengte
2. Verander kleur

3. Polijsten
4. Poedercoating
5. geborsteld aluminium folie
6. Boor de gaten
7. Lasergravure
8. PVC label
9. Acrylic plaat
10. Silk scherm

Van harte welkom om ons te contacteren indien u vragen heeft over onze behuizing, zal uw aanvraag worden reponseed met 24 uur!

Mocht u catalogi of geen gedetailleerde informatie van onze behuizing nodig hebt, aarzel dan niet om mij te laten weten:-)



QQ

505924585



Tel

86-755-8222882
86-13028816914



Add

628Room,505 Building ,Shangbu iddustry,
Hangtian toad ,Futian district ,Shenzhen,
China,518031



Email

lily@szomk.net



Home

<http://www.aliexpress.com/store/1006252>



skype

szomk006

Company Information



Shenzhen Futian Huaqiang Electronic World OMK Electronic Sales Department

This complex, during long years of efforts with its own experienced group and sole facilities for improvement of productions and promotion of products quality, is now one of the largest suppliers of all kinds of metallic and plastic enclosures in different fields of electronic, electrical, communication, medical, industrial and research projects purposes.

In today's industrial world and with the rapid development of all industries, the need of these products is sensed more than ever. Therefore by offering the best quality and service, we try to meet these needs and help you to reach your ideals.

Exhibition



Certificate



Factory and showroom



Packaging & Shipping



SZOMK

Shenzhen Futian Huaqiang Electronic World OMK Electronic Sales Department

Tel: +86-755-83222882 E-mail: ivy@szomk.com.cn



Bedankt voor uw tijd! Welkom om opnieuw te bezoeken. :-)