

specificaties:

Plaats van oorsprong: Shenzhen, China

Type: elektronikabehuizing aansluitkast

Modelnummer: AK-H-60

Afmeting: 180 * 81 * 45 mm

Materiaal: ABS kunststof

Monster MOQ: 1 stuk

**Aangepastservice: uitsparing, zeefdruk, kleur, sticker,
lasergravure,
acrylplaat, maak schimmel**

Aangepaste MOQ: 20 stks

Verpakking: doos

SZOMK



85g

AK-H-60

▶ Enclosure Manufacturer
www.chinaenclosure.com

SZOMK

Customizable
cutout, sticker
silkscreen, color



Weight: 85g

Model No. AK-H-60

Size: 180*81*45mm

7*3.2*1.7inch

SZOMK



SZOMK



SZOMK



SZOMK



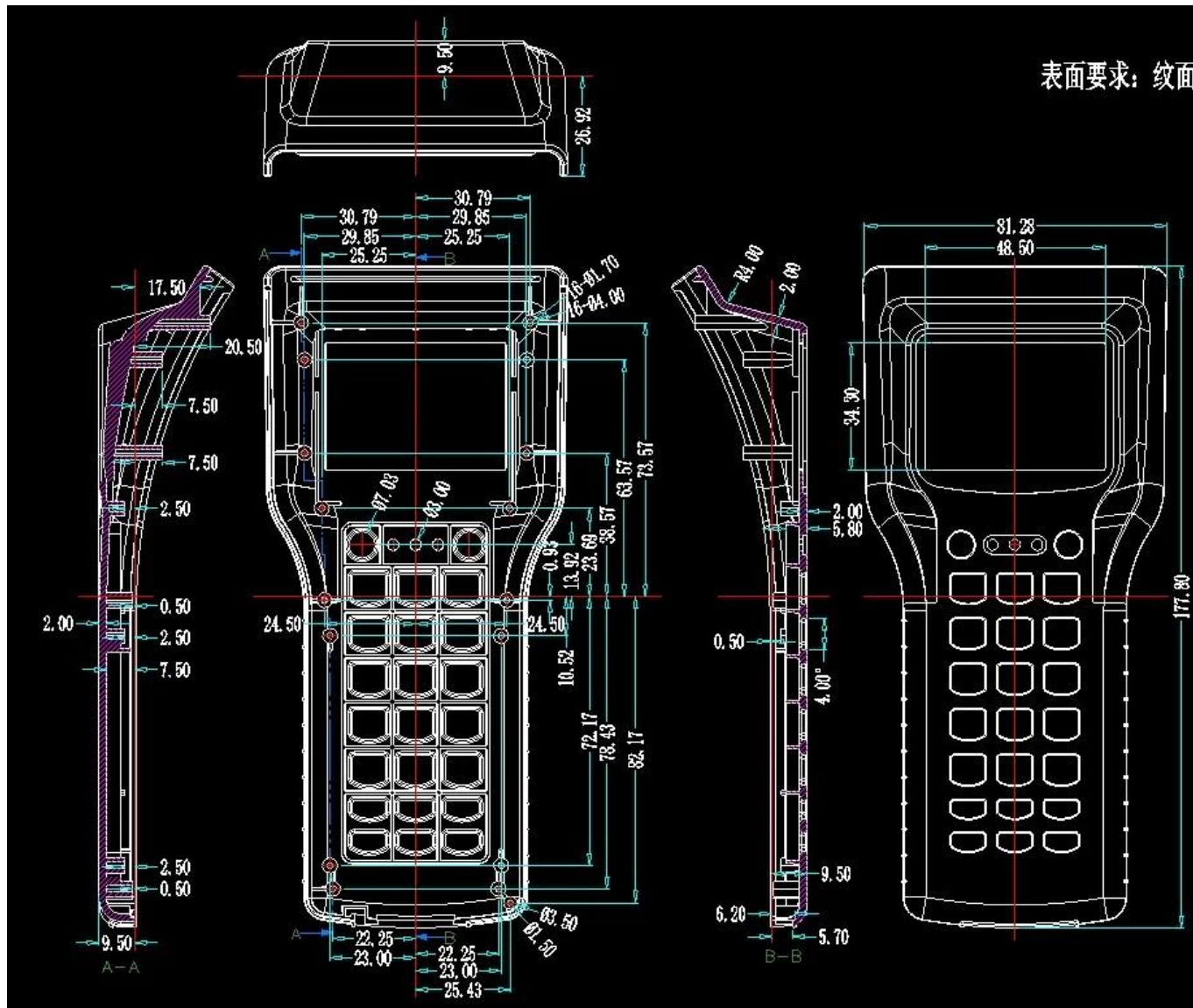
SZOMK

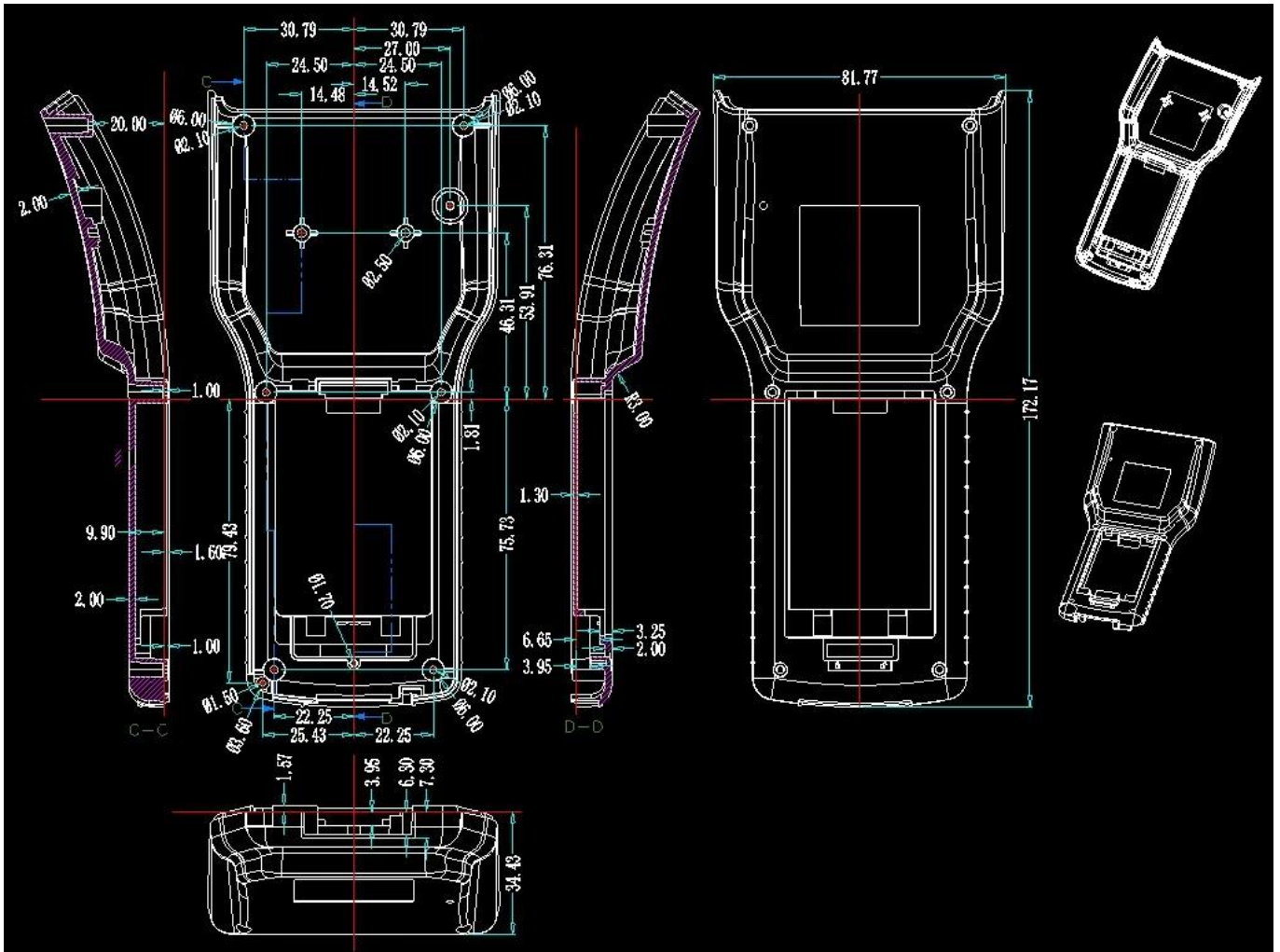


SZOMK



表面要求：纹面





Hier is onze service aan te passen:

- | | |
|------------------------------|-------------------------------------|
| 1, verander aluminium lengte | 2, verander de kleur van onze dozen |
| 3, product polijsten | 4, poedercoating |
| 5, geborsteld olie | 6, cut-out |
| 7, gravure van lasers | 8, PVC-label |
| 9, acrylplaat | 10, zeefdruk |
| 11, maak sticker | 12, silicagel randen |
| 13, zandstralen | 14, draadtrekken |
| 15, UV-bescherming | 16, open schimmel |



Plate



Silkscreen



Sticker

*We can do
customize*

Cutout



Silicone Seals

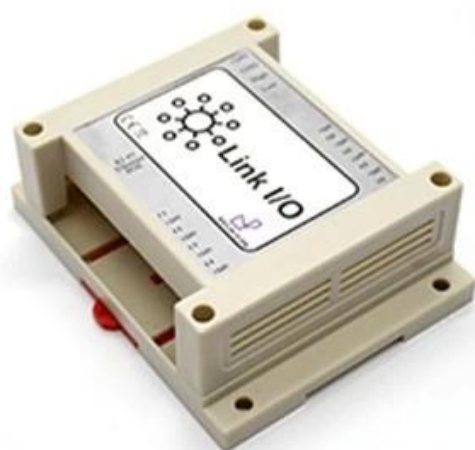


Color



We can do customize

Cut holes
Silkscreen
Sticker



We can do customize

change the color



We can do customize

PVC lable
Acrylic plate
Sticker



We can do customize

Cut holes
Silkscreen
Laser carve



We can do customize



**UV
Protection**



We can do customize

Cut holes
Silkscreen
Sticker



We can do customize



Gebruik:

Het wordt veel gebruikt in elektronica, instrumentatie, automatisering, communicatie, stroomvoorziening, studentenprojecten, versterkers, medische apparatuur, test- en meetapparatuur, industriële besturing, randapparaten en interfaces, schakelkasten.

It is widely used in electronic, instrumentation, automation, communications, power supply units, student projects, amplifiers, Medical and wellness devices, test and measurement equipment, industrial control, peripheral devices and interfaces, switch boxes.



Aandacht:

Welkom bij contact met ons op voor meer informatie en citaten van onze behuizing, uw vraag zal zeker snel antwoord krijgen binnen 24 uur. :-)

Company Information



Shenzhen Futian Huaqiang Electronic World OMK Electronic Sales Department

This complex, during long years of efforts with its own experienced group and sole facilities for improvement of productions and promotion of products quality, is now one of the largest suppliers of all kinds of metallic and plastic enclosures in different fields of electronic, electrical, communication, medical, industrial and research projects purposes.

In today's industrial world and with the rapid development of all industries, the need of these products is sensed more than ever. Therefore by offering the best quality and service, we try to meet these needs and help you to reach your ideals.

Exhibition



Certificate



Factory and showroom



Packaging & Shipping



Shenzhen Futian Huaqiang Electronic World OMK
Electronic Sales Department

Tel: +86-755-83222882 E-mail: hyj@szomk.com.cn



SZOMK

Our packaging

Plastic foam packaging



Metal shell packaging

Plastic box packaging





QQ

2033950667



Tel

81-755-83222882
+86 15361444713



Add

16-6Floor, 505Building, Shangbu In dustry
Area, Hangtian RD, Futian District , Shenzhen
China



Email

william@szomk.ent



Skype

szomk-002

**Uw aanvraag kan binnen 24 uur worden
beantwoord. : o)**

