

## **specificaties:**

**Plaats van herkomst: Shenzhen, China**

**Type: aansluitdoos voor plastic-elektronica**

**Modelnummer: AK-H-60**

**Grootte: 180 \* 81 \* 45 mm**

**Materiaal: ABS-kunststof**

**Monster MOQ: 1 stuk**

**Aangepastservice: knipsel, zeefdruk, kleur, sticker,  
lasergravure,  
acrylplaat, maak mal**

**Aangepaste MOQ: 20 stks**

**Verpakking: karton**

# SZOMK



85g

AK-H-60

▶ Enclosure Manufacturer  
[www.chinaenclosure.com](http://www.chinaenclosure.com)

# SZOMK

Customizable  
cutout, sticker  
silkscreen, color



Weight: 85g

Model No. AK-H-60

Size: 180\*81\*45mm

7\*3.2\*1.7inch

# SZOMK



# SZOMK



**SZOMK**





**SZOMK**



**SZOMK**

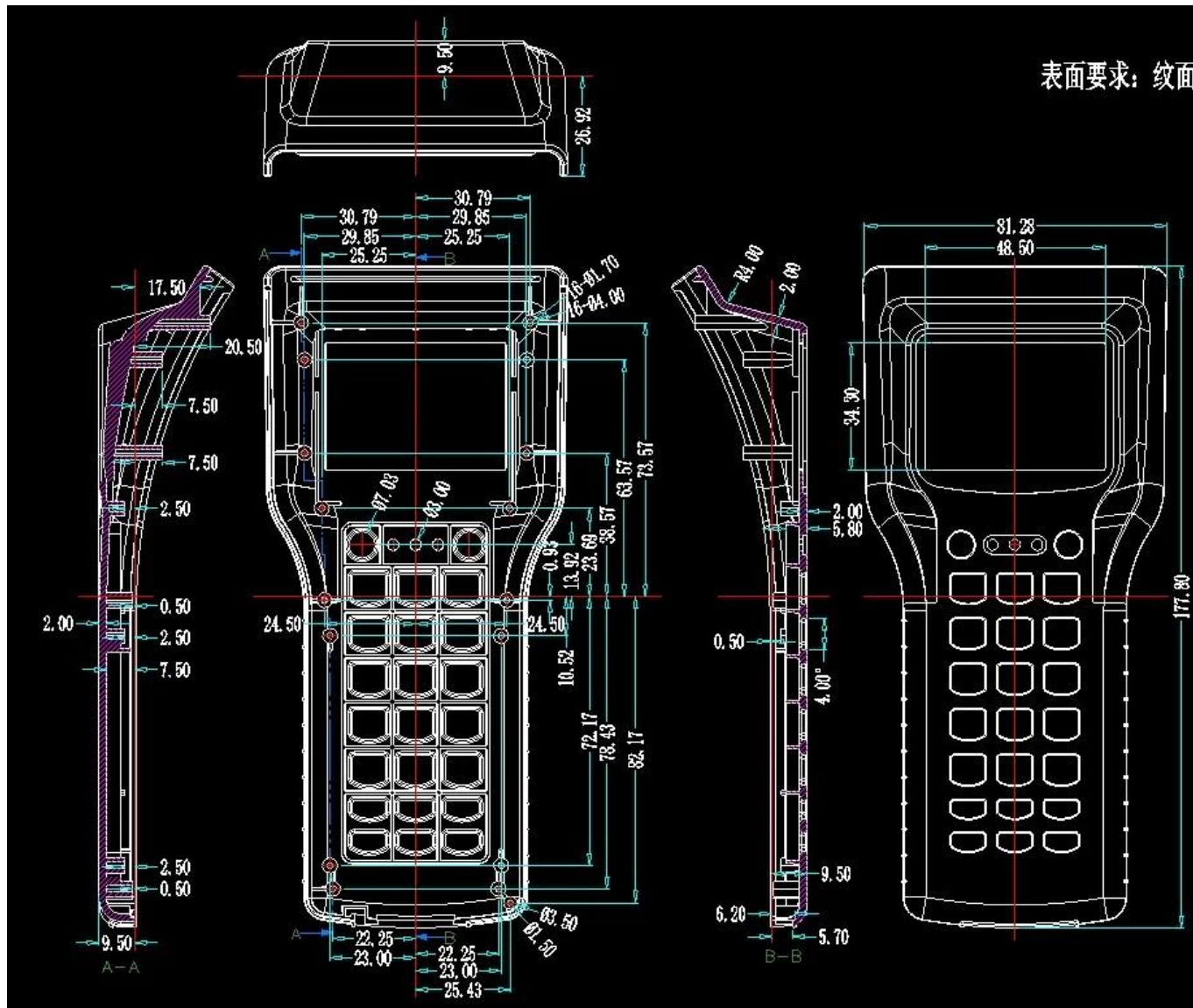


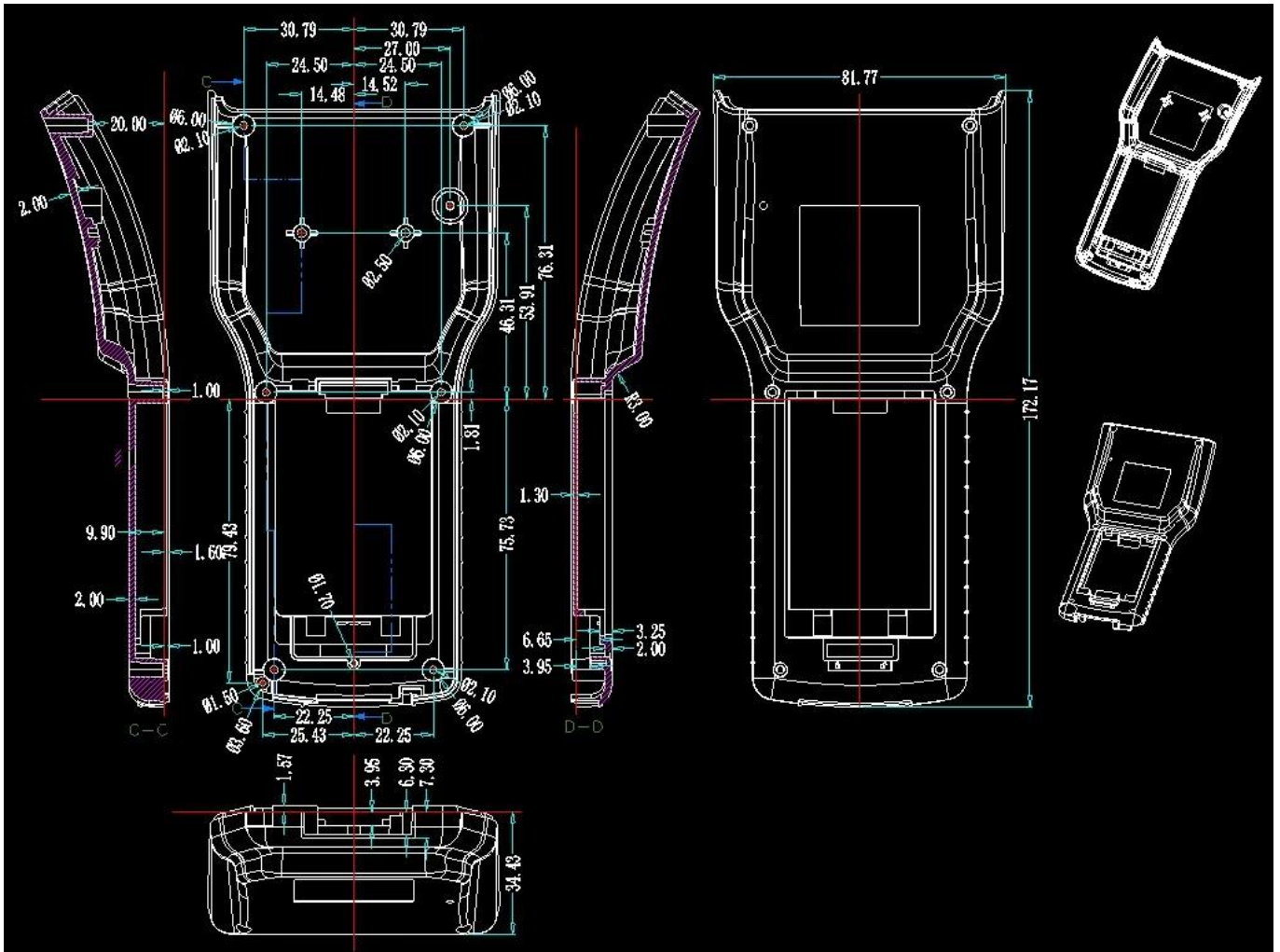


# SZOMK



表面要求：纹面





Hier is onze service voor aanpassen:

- |                              |                                     |
|------------------------------|-------------------------------------|
| 1, verander aluminium lengte | 2, verander de kleur van onze dozen |
| 3, product polijsten         | 4, poedercoating                    |
| 5, geborstelde olie          | 6, uitgesneden                      |
| 7, lasergravure              | 8, PVC-label                        |
| 9, acrylplaat                | 10, zeefdruk                        |
| 11, sticker maken            | 12, randen van silicagel            |
| 13, zandstralen              | 14, draadtrekken                    |
| 15, UV-bescherming           | 16, open schimmel                   |



*Plate*



*Silkscreen*



*Sticker*

*We can do  
customize*

*Cutout*



*Silicone Seals*



*Color*





# We can do customize

Cut holes  
Silkscreen  
Sticker



# We can do customize

change the color





# We can do customize

PVC lable  
Acrylic plate  
Sticker



# We can do customize

Cut holes  
Silkscreen  
Laser carve



**We can do customize**



**UV  
Protection**



# We can do customize

Cut holes  
Silkscreen  
Sticker





# We can do customize



## **Gebruik:**

Het wordt veel gebruikt in elektronica, instrumentatie, automatisering, communicatie, voedingseenheden, studentenprojecten, versterkers, medische apparatuur, test- en meetapparatuur, industriële besturing, randapparatuur en interfaces, schakelkasten.

It is widely used in electronic, instrumentation, automation, communications, power supply units, student projects, amplifiers, Medical and wellness devices, test and measurement equipment, industrial control, peripheral devices and interfaces, switch boxes.



**Aandacht:**

Welkom bij contact met ons op voor meer informatie en offertes van onze behuizing, uw vraag zal zeker binnen 24 uur een snelle reactie krijgen. :-)



## Company Information



### Shenzhen Futian Huaqiang Electronic World OMK Electronic Sales Department

This complex, during long years of efforts with its own experienced group and sole facilities for improvement of productions and promotion of products quality, is now one of the largest suppliers of all kinds of metallic and plastic enclosures in different fields of electronic, electrical, communication, medical, industrial and research projects purposes.

In today's industrial world and with the rapid development of all industries, the need of these products is sensed more than ever. Therefore by offering the best quality and service, we try to meet these needs and help you to reach your ideals.

## Exhibition



## Certificate



## Factory and showroom



## Packaging & Shipping



Shenzhen Futian Huaqiang Electronic World OMK  
Electronic Sales Department

Tel: +86-755-83222882 E-mail: [hyj@szomk.com.cn](mailto:hyj@szomk.com.cn)



# SZOMK

## Our packaging

Plastic foam packaging



Metal shell packaging

Plastic box packaging





T/T, WESTERN UNION, MONEY  
GRAM AND PAYPAL ACCPETED.

Skype: 86-13392896082

Tel: 86-13392896082

Email: kevin@chinaenclosure.com

[Contact Us](#)

**Uw vraag zou binnen 24 uur worden  
beantwoord. : o)**