

Voordelen van SZOMK-behuizing

1. Het heeft een sterke weerstand tegen corrosie, weersbestendigheid, weerstand tegen corrosie.
2. oppervlak kan worden gevormd in een verscheidenheid van kleuren, en het maximum om aan uw behoeften te voldoen.
3. Heb een goede sterke hardheid om uw elektronica te sparen.

Wat kunnen we voor je doen

- 1 Boren, stampen enzovoort. Welkom bij de grafische weergave op aanvraag.
- 2 poederverf, borstels, polijsten, zeefdruk, lasergravure, posters, gravure, acrylharspaneel.
- 3 korte levertijd, meestal na 3-5 dagen na betaling (volgens het aantal)
- 4 tips voor uw aanvraag

productspecificatie

SZOMK



 **Enclosure Manufacturer**
www.chinaenclosure.com

SZOMK

Customizable
cutout, sticker
silkscreen, color



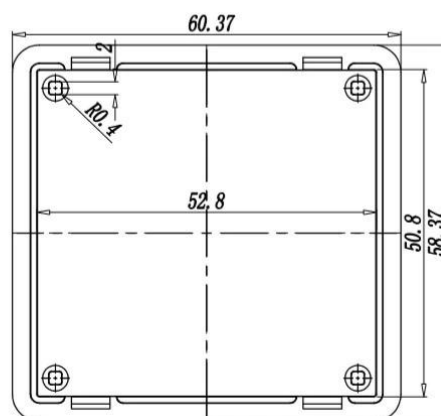
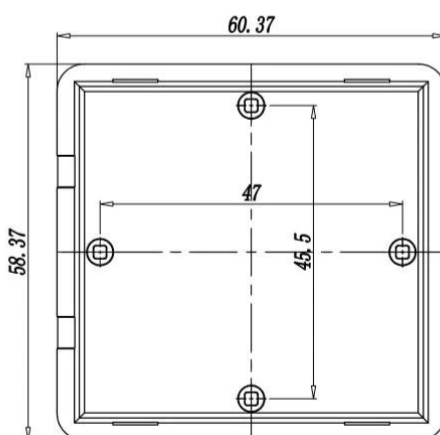
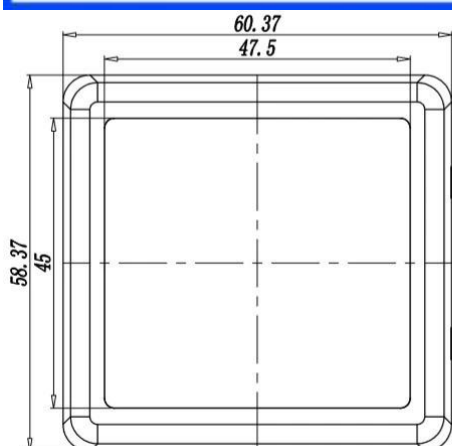
Weight: 28g
Model No. AK-S-17

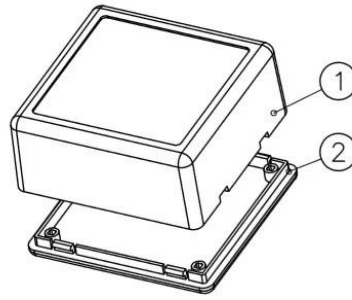
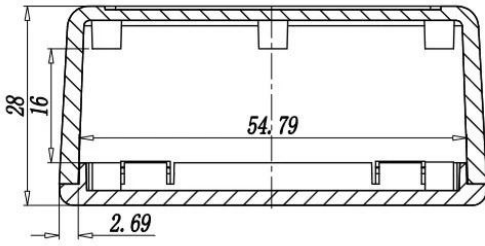
Size: 2.36*2.28*1.1 inch
60*58*28 mm

SZOMK



SZOMK





Aangepaste services

We can do customize

- Silkscreen**: A silver metal enclosure with "GPS Logistic" printed on it.
- Sticker**: A black rectangular sticker with "CHIPTUNING-BOX" and "CHIP TUNINGMAX" printed on it.
- Silicone Seals**: A blue rectangular silicone seal with mounting holes.
- Color**: A collection of small, colorful metal strips in blue, black, pink, yellow, and silver.
- Cutout**: A red metal enclosure with two circular cutouts.
- Plate**: A collection of various metal plates in yellow, black, and blue, some with holes and cutouts.

Company Information



Shenzhen Futian Huaqiang Electronic World OMK Electronic Sales Departmen

This complex, during long years of efforts with it's own experienced group and sole facilities for improvement of productions and promotion of products quality, is now one of the largest suppliers of all kinds of metallic and plastic enclosures in different fields of electronic, electrical, communication, medical, industrial and research prtojects purposes.

In today's industrial world and with the rapid development of all industries, the need of these products is sensed more than ever. Therefore by offering the best quality and service, we try to meet these needs and help you to reach your ideals.

Factory and showroom



Exhibition



Certificate



Packaging & Shipping



Contactgegevens



QQ

2110283100



Tel

81-755-83222882
+86 18819074698



Add

16-6Floor, 505Building ,Shangbu Industry
Area, Hangtian RD, Futian District ,Shenzhen
China



Email

teddy@szomk.net



skype

teddy@szomk.net



WeChat

teddy07277