

specificaties:

Plaats van herkomst: Shenzhen, China

Type: plastic elektronica behuizing aansluitkast

Model Nr .: AK-H-53

Maat: 110 * 60 * 25mm

Materiaal: ABS plastic

Sample MOQ: 1 stuk

aangepasteservice: knipsel, verf, kleur, sticker, lasergravure, acryl plaat, maken schimmel

Customized MOQ: 20 stuks

Verpakking: karton

SZOMK



▶ **Enclosure Manufacturer**
www.chinaenclosure.com

SZOMK

Customizable
cutout, sticker
silkscreen, color



Weight: 55g
Model No. AK-H-53

Size: 4.33*2.36*0.98 inch
110*60*25 mm

SZOMK



SZOMK



SZOMK

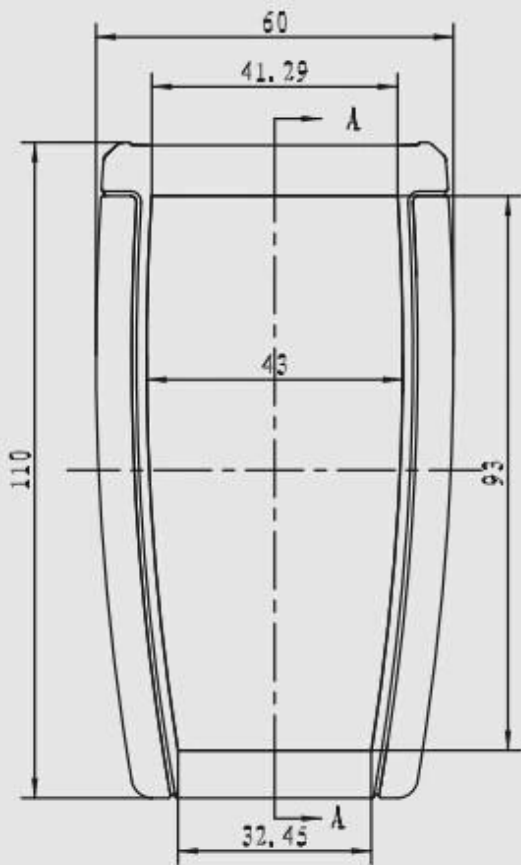


SZOMK

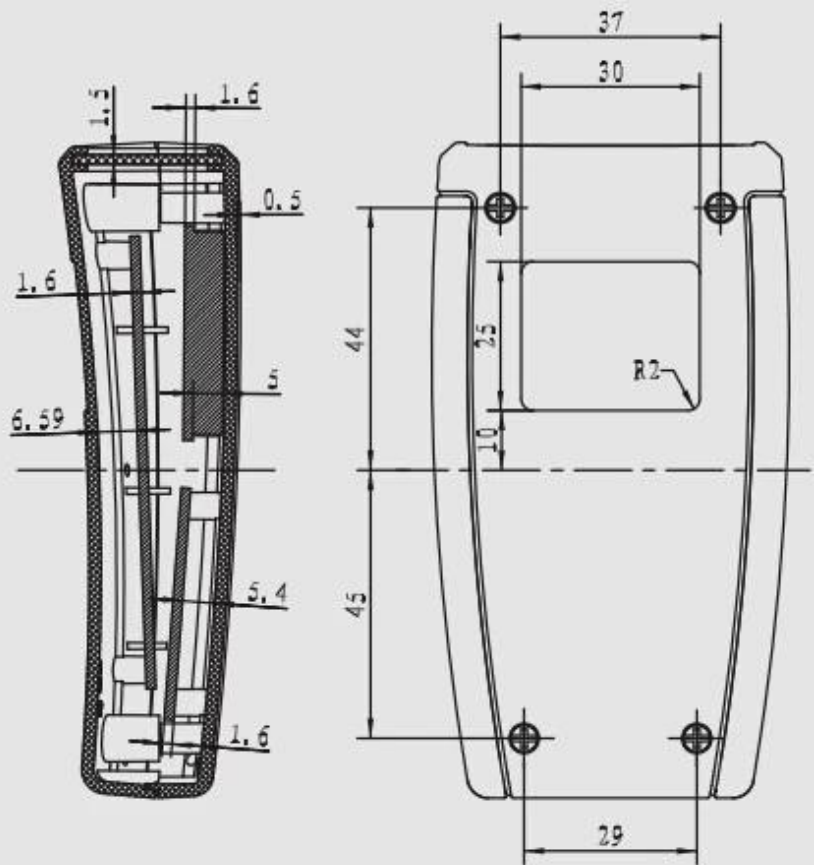


SZOMK

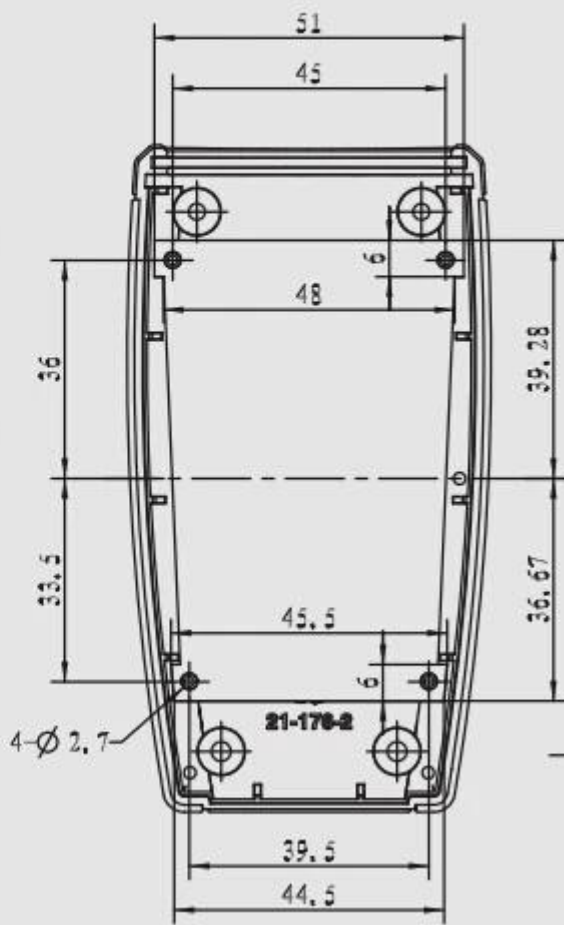
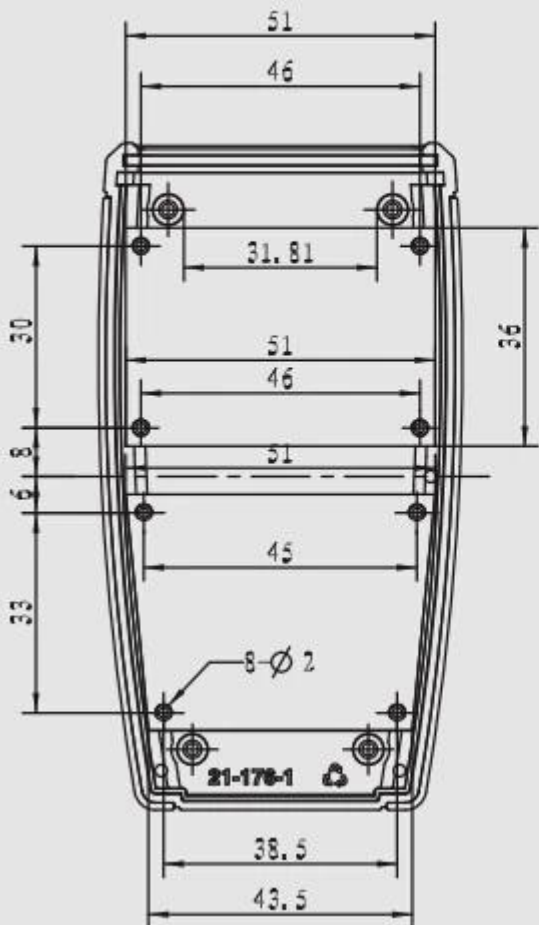


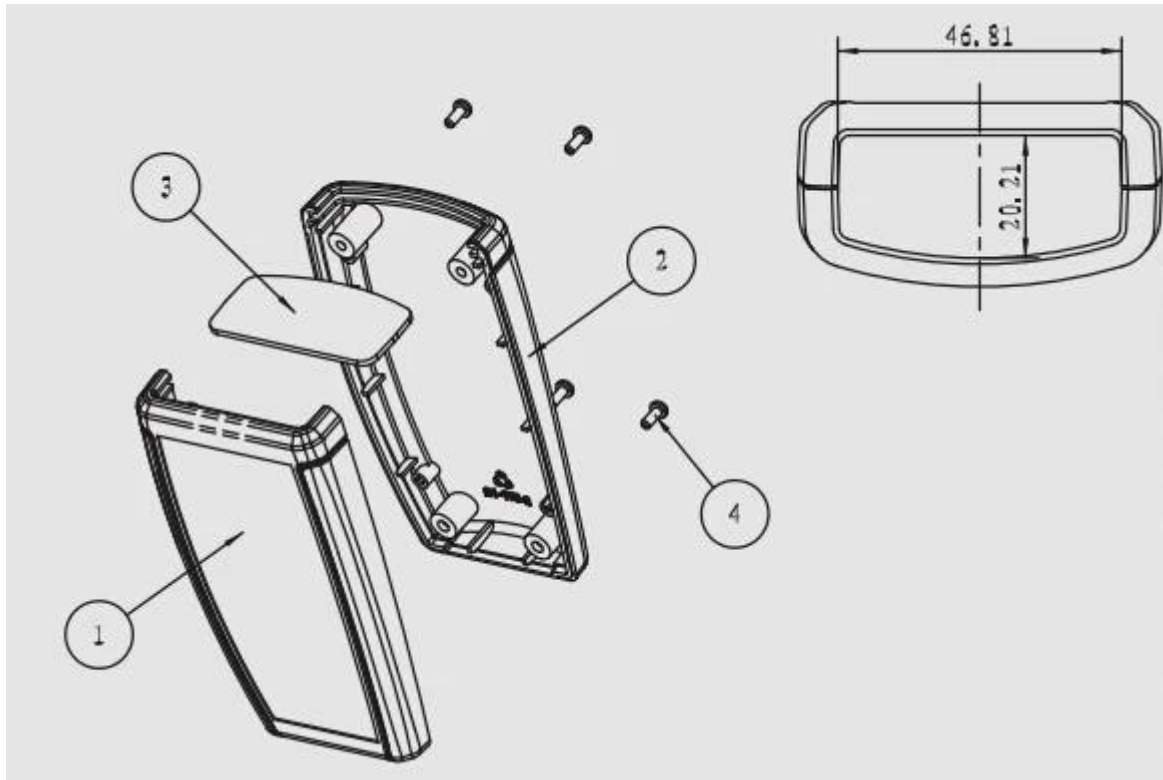


上盖线路板尺寸



下壳线路板尺寸





Hier is ons aanpassen service:

- | | |
|---------------------------------|--------------------------------------|
| 1, verandering aluminium lengte | 2, verandert de kleur van onze dozen |
| 3, product polijsten | 4, poedercoaten |
| 5, geborsteld olie | 6, cut-out |
| 7, lasder graveren | 8, PVC-label |
| 9, acryl plaat | 10, zeefdruk |
| 11, maken sticker | 12, silicagel randen |
| 13, zandstralen | 14, draadtrekken |
| 15, UV-bescherming | 16, open matrijs |



Plate



Silkscreen



Sticker

*We can do
customize*

Cutout



Silicone Seals



Color



We can do customize

Cut holes
Silkscreen
Sticker



We can do customize

change the color



We can do customize

PVC lable
Acrylic plate
Sticker



We can do customize

Cut holes
Silkscreen
Laser carve



We can do customize



**UV
Protection**



We can do customize

Cut holes
Silkscreen
Sticker



We can do customize



Gebruiken:

Het wordt veel gebruikt in de elektronica, instrumentatie, automatisering, communicatie, stroomvoorziening verenigt, student projecten, versterkers, medische apparatuur, test- en meetapparatuur, industriële controle, randapparatuur apparaten en interfaces, schakelkasten.

It is widely used in electronic, instrumentation, automation, communications, power supply units, student projects, amplifiers, Medical and wellness devices, test and measurement equipment, industrial control, peripheral devices and interfaces, switch boxes.



Aandacht:

Welkom bij contact met ons op voor meer informatie en offertes van onze behuizing, zal uw aanvraag zeker krijgen snelle reactie in 24 uur. :-)



QQ

505924585



Tel

86-755-83222882
86-13028816914



Add

628Room,505 Building ,Shangbu industry,
Hangtian road ,Futian district ,Shenzhen,
China,518031



Email

lily@szomk.net



skype

szomk006

Company Information



Shenzhen Futian Huaqiang Electronic World OMK Electronic Sales Department

This complex, during long years of efforts with its own experienced group and sole facilities for improvement of productions and promotion of products quality, is now one of the largest suppliers of all kinds of metallic and plastic enclosures in different fields of electronic, electrical, communication, medical, industrial and research projects purposes.

In today's industrial world and with the rapid development of all industries, the need of these products is sensed more than ever. Therefore by offering the best quality and service, we try to meet these needs and help you to reach your ideals.

Exhibition



Certificate



Factory and showroom



Packaging & Shipping



Shenzhen Futian Huaqiang Electronic World OMK
Electronic Sales Department

Tel: +86-755-83222882 E-mail: hyj@szomk.com.cn



SZOMK

Our packaging

Plastic foam packaging



Metal shell packaging

Plastic box packaging



**Elk onderzoek, neem dan contact op met:
lily@szomk.net**

**Uw aanvraag zou worden responded zijn
binnen 24 uur. : 0)**

