

specificaties:

Plaats van herkomst: Shenzhen, China

Type: aansluitdoos voor plastic-elektronica

Modelnummer: AK-H-60

Grootte: 180 * 81 * 45 mm

Materiaal: ABS-kunststof

Monster MOQ: 1 stuk

**Aangepastservice: knipsel, zeefdruk, kleur, sticker,
lasergravure,
acrylplaat, maak mal**

Aangepaste MOQ: 20 stks

Verpakking: karton

SZOMK



85g

AK-H-60

▶ Enclosure Manufacturer
www.chinaenclosure.com

SZOMK

Customizable
cutout, sticker
silkscreed, color



Weight: 85g

Model No. AK-H-60

Size: 180*81*45mm

7*3.2*1.7inch

SZOMK



SZOMK



SZOMK



SZOMK



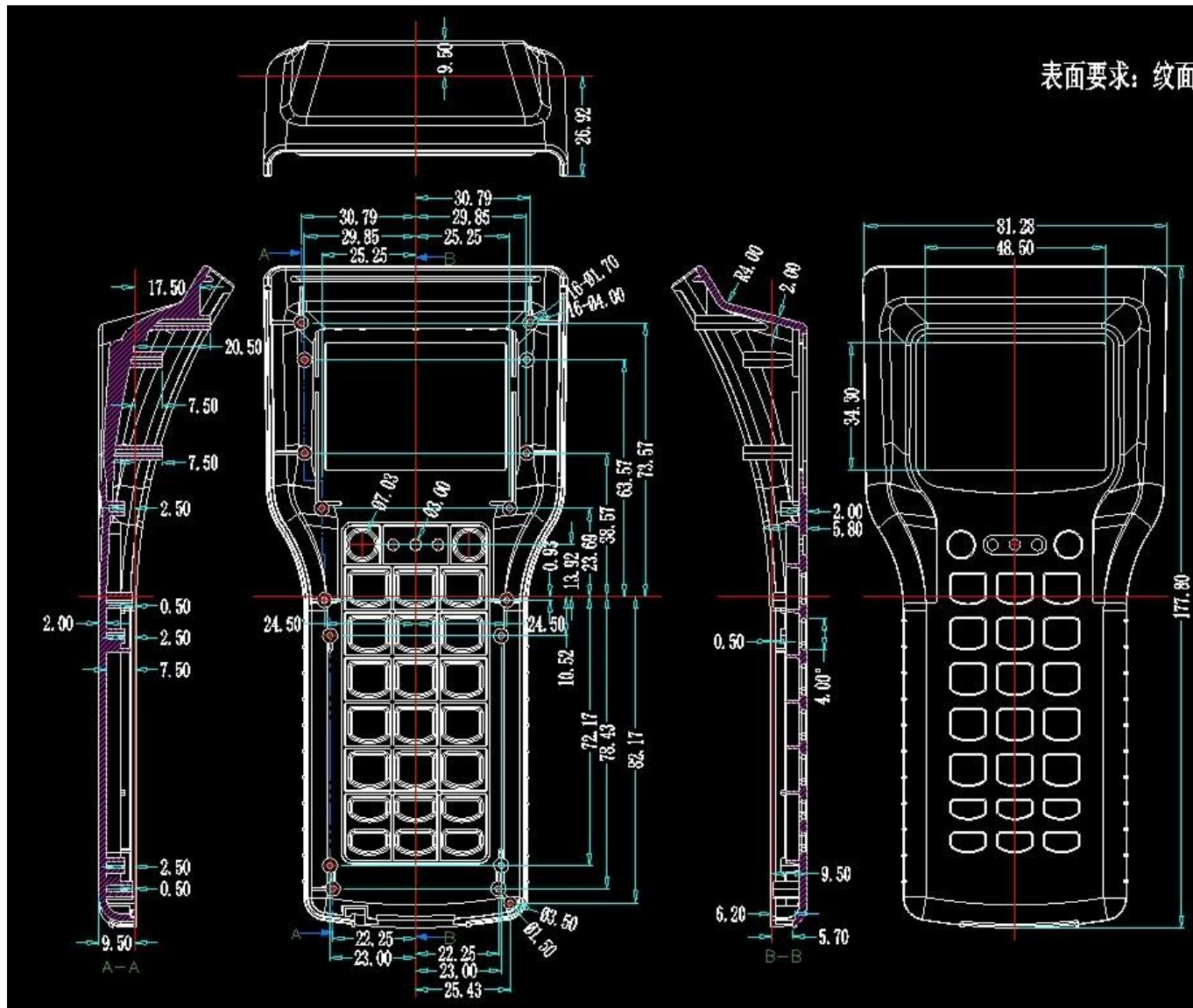
SZOMK

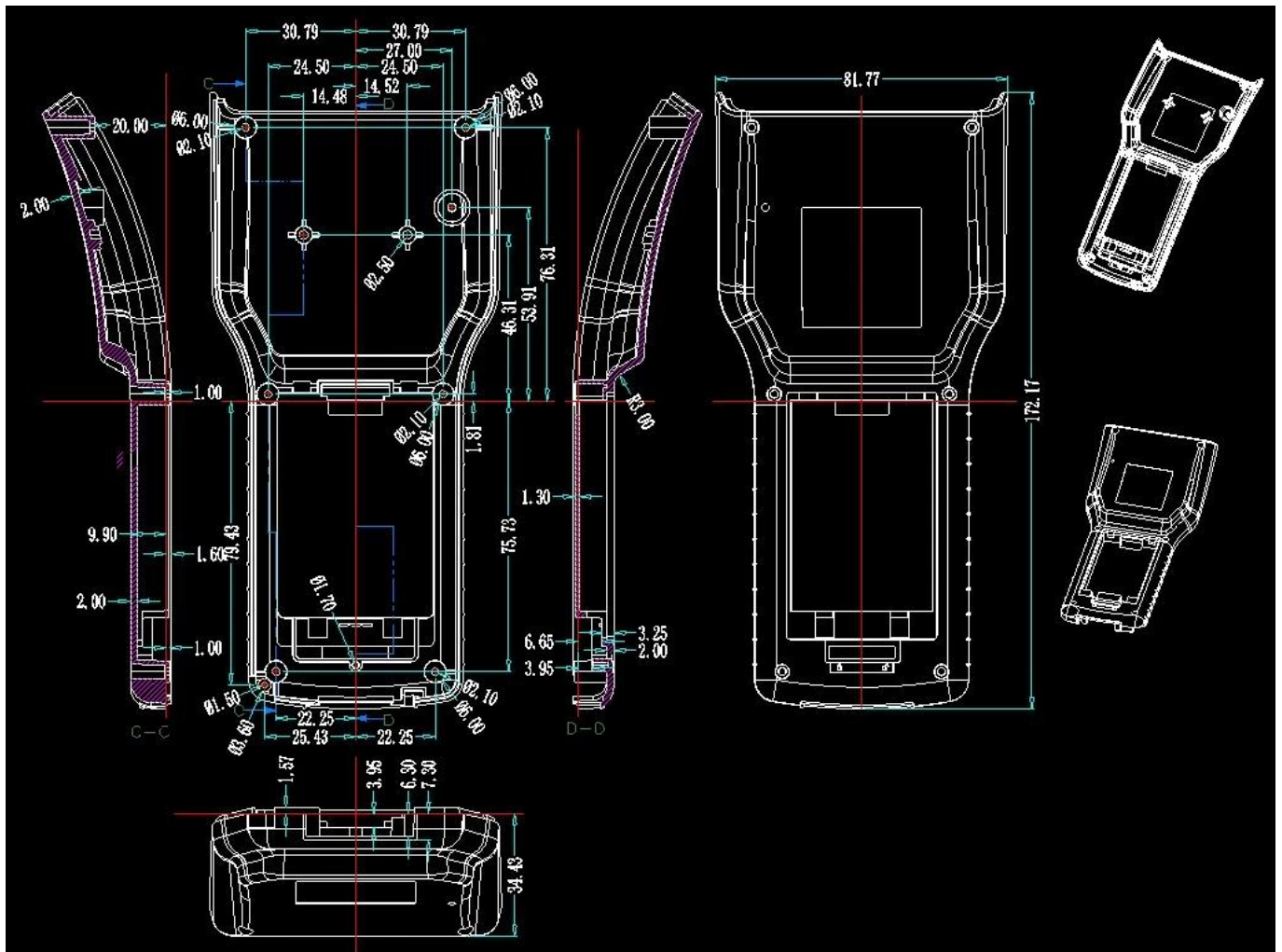


SZOMK



表面要求：纹面





Hier is onze service voor aanpassen:

- | | |
|------------------------------|-------------------------------------|
| 1, verander aluminium lengte | 2, verander de kleur van onze dozen |
| 3, product polijsten | 4, poedercoating |
| 5, geborstelde olie | 6, uitgesneden |
| 7, lasergravure | 8, PVC-label |
| 9, acrylplaat | 10, zeefdruk |
| 11, sticker maken | 12, randen van silicagel |
| 13, zandstralen | 14, draadtrekken |
| 15, UV-bescherming | 16, open schimmel |



Plate



Silkscreen



Sticker

*We can do
customize*

Cutout



Silicone Seals

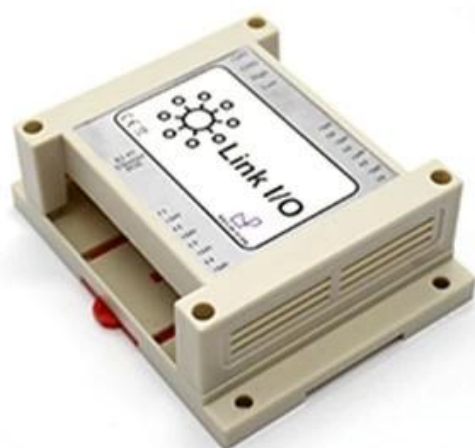


Color



We can do customize

Cut holes
Silkscreen
Sticker



We can do customize

change the color



We can do customize

PVC lable
Acrylic plate
Sticker



We can do customize

Cut holes
Silkscreen
Laser carve



We can do customize



**UV
Protection**



We can do customize

Cut holes
Silkscreen
Sticker



We can do customize



Gebruik:

Het wordt veel gebruikt in elektronica, instrumentatie, automatisering, communicatie, voedingseenheden, studentenprojecten, versterkers, medische apparatuur, test- en meetapparatuur, industriële besturing, randapparatuur en interfaces, schakelkasten.

It is widely used in electronic, instrumentation, automation, communications, power supply units, student projects, amplifiers, Medical and wellness devices, test and measurement equipment, industrial control, peripheral devices and interfaces, switch boxes.



Aandacht:

Welkom bij contact met ons op voor meer informatie en offertes van onze behuizing, uw vraag zal zeker binnen 24 uur een snelle reactie krijgen. :-)

Company Information



Shenzhen Futian Huaqiang Electronic World OMK Electronic Sales Department

This complex, during long years of efforts with its own experienced group and sole facilities for improvement of productions and promotion of products quality, is now one of the largest suppliers of all kinds of metallic and plastic enclosures in different fields of electronic, electrical, communication, medical, industrial and research projects purposes.

In today's industrial world and with the rapid development of all industries, the need of these products is sensed more than ever. Therefore by offering the best quality and service, we try to meet these needs and help you to reach your ideals.

Exhibition



Certificate



Factory and showroom



Packaging & Shipping



SZOMK

Shenzhen Futian Huaqiang Electronic World OMK
Electronic Sales Department

Tel: +86-755-83222882 E-mail: hyj@szomk.com.cn



SZOMK

Our packaging

Plastic foam packaging



Metal shell packaging

Plastic box packaging





T/T, WESTERN UNION, MONEY
GRAM AND PAYPAL ACCPETED.

Skype: 13691908477

Tel: 86-13691908477

Email: felix@chinaenclosure.com

[Contact Us](#)

**Uw vraag zou binnen 24 uur worden
beantwoord. : o)**