

## **specificaties:**

**Plaats van herkomst: Shenzhen, China**

**Type: elektronica kleine plastic behuizing aansluitdoos**

**Model nr .: AK-S-103**

**Maat: 81 \* 41 \* 51 mm**

**Materiaal: abs plastic**

**Voorbeeld MOQ: 1 stuk**

**Aangepastservice: uitsnijden, zeefdruk, kleur, sticker,  
lasergravure,  
acrylplaat, vorm creëren**

**Aangepaste MOQ: 20 stuks**

**Verpakking: karton**

**SZOMK**



▶ **Enclosure Manufacturer**  
[www.chinaenclosure.com](http://www.chinaenclosure.com)

# SZOMK

Customizable  
cutout, sticker  
silkscreen, color



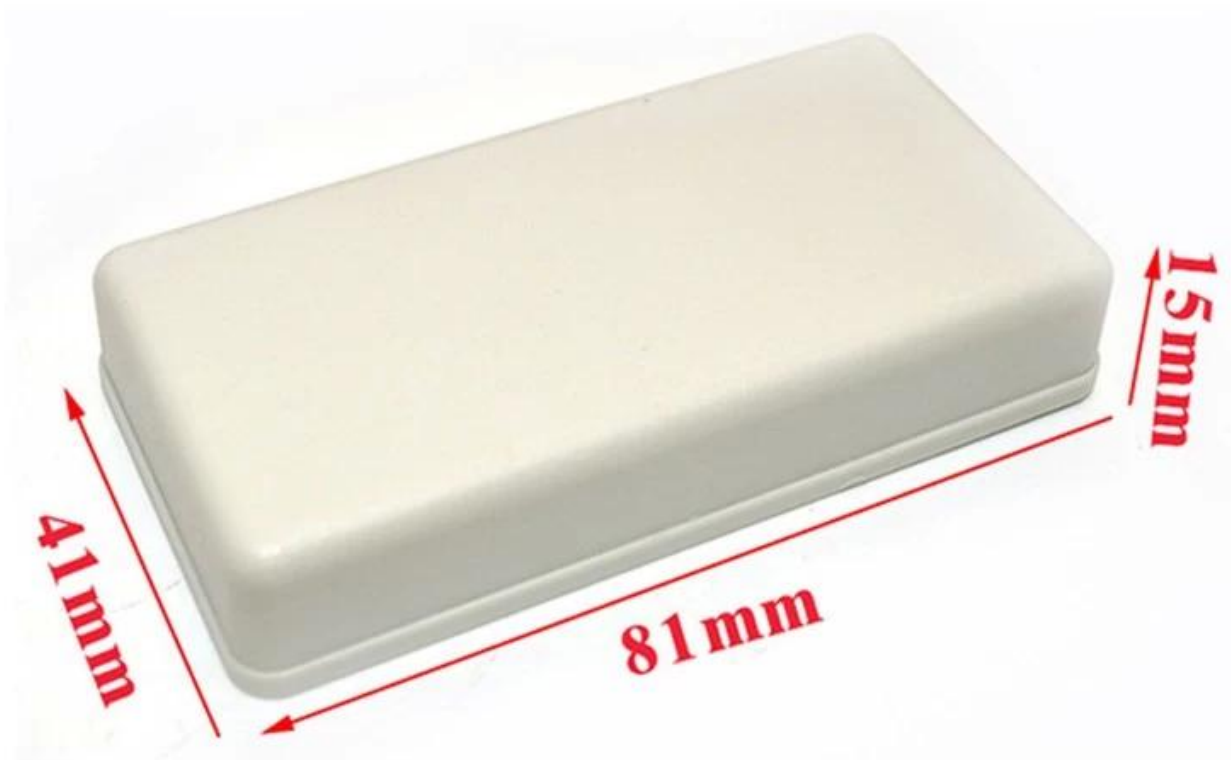
Weight: 20g  
Model No. AK-S-103

Size: 3.19\*1.61\*0.59 inch  
81\*41\*15 mm

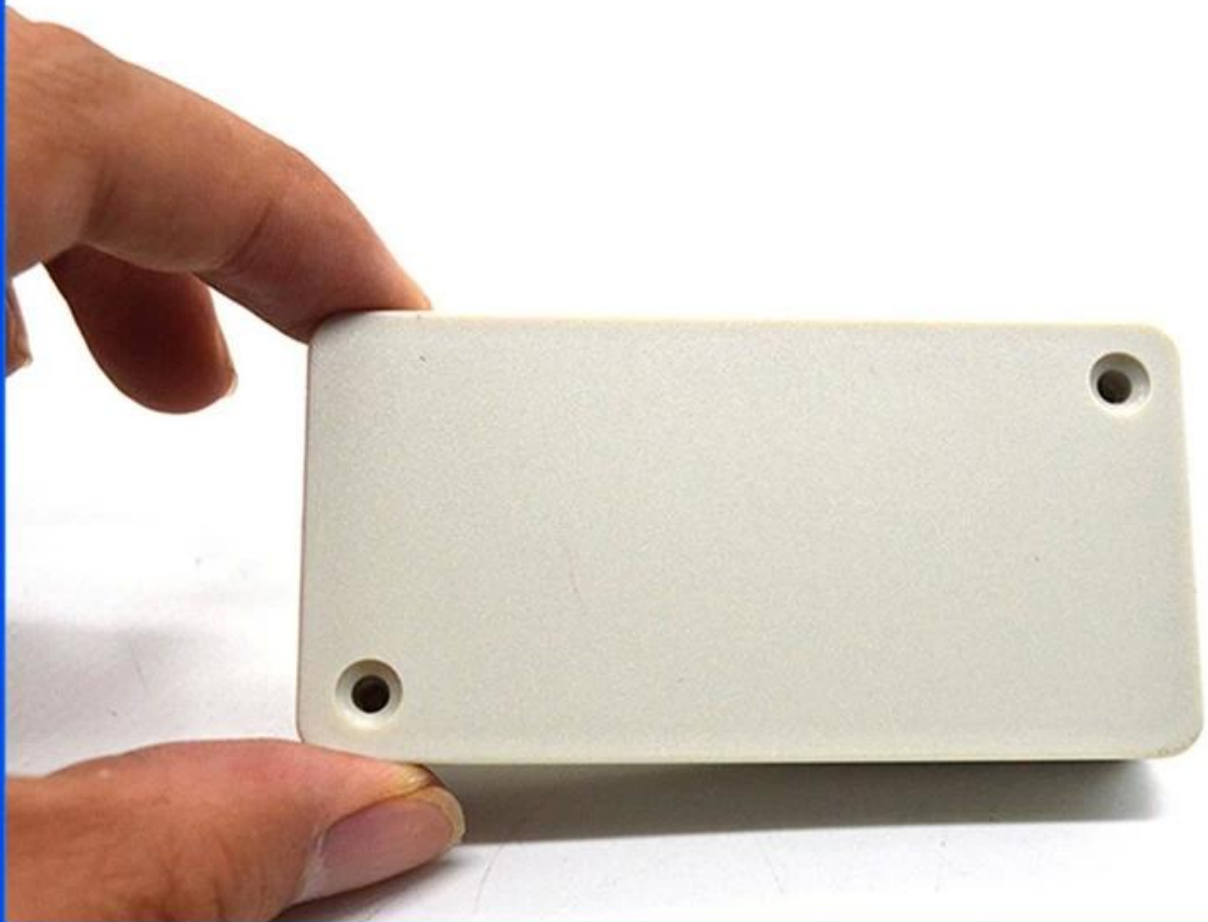
**SZOMK**



# SZOMK



**SZOMK**



# SZOMK

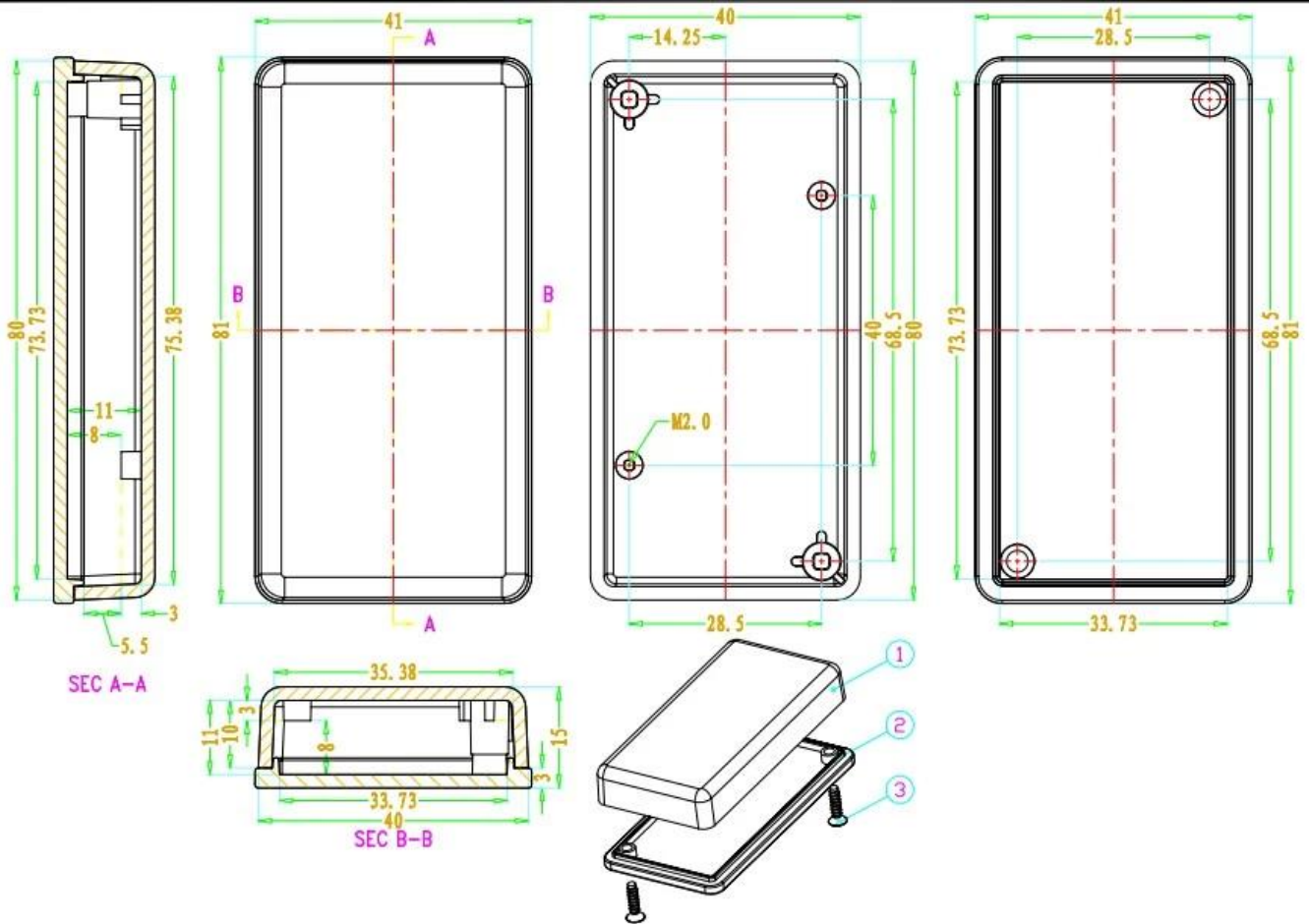




# SZOMK







Hier is onze service aan te passen:

- |                                 |                                     |
|---------------------------------|-------------------------------------|
| 1, verander de aluminium lengte | 2, verander de kleur van onze dozen |
| 3, product polijsten            | 4, poedercoating                    |
| 5, geborstelde olie             | 6, cut-out                          |
| 7, lasergravure                 | 8, PVC etiket                       |
| 9, Acrylplaat                   | 10, zeefdruk                        |
| 11, maak een sticker            | 12, silicagel randen                |
| 13, zandstralen                 | 14, draad tekening                  |
| 15, UV-bescherming              | 16, open vorm                       |

# What we can do (we can do customize)



- 1, change aluminum length
- 2, change color of our boxes
- 3, product polishing
- 4, powder coating
- 5, brushed oil



- 6, cut-out
- 7, laser engraving
- 8, PVC label
- 9, Acrylic plate
- 10, silk screen printing



- 11, make sticker
- 12, silica gel edges
- 13, sandblasting
- 14, wire drawing
- 15, UV protection



*Plate*



*Silkscreen*



*Sticker*

*We can do  
customize*

*Cutout*



*Silicone Seals*

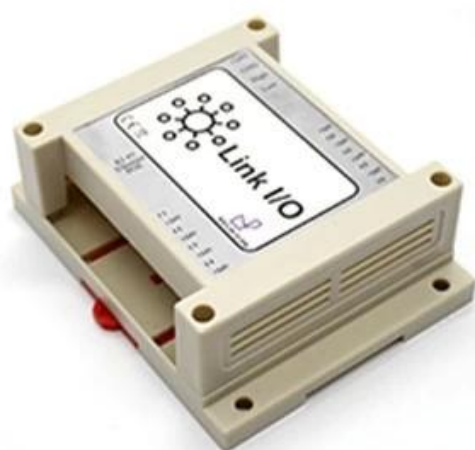


*Color*



# We can do customize

Cut holes  
Silkscreen  
Sticker





# We can do customize

change the color



# We can do customize

PVC lable  
Acrylic plate  
Sticker



# We can do customize

Cut holes  
Silkscreen  
Laser carve





**We can do customize**



**UV  
Protection**



# We can do customize

Cut holes  
Silkscreen  
Sticker



# We can do customize



## Gebruik:

Het wordt veel gebruikt in elektronica, instrumentatie, automatisering, communicatie, voeding, verenigingen, studentenprojecten, versterkers, gezondheidszorgapparatuur, test- en meetapparatuur, industriële controle, randapparatuur en interfaces, switchboxen.

It is widely used in electronic, instrumentation, automation, communications, power supply units, student projects, amplifiers, Medical and wellness devices, test and measurement equipment, industrial control, peripheral devices and interfaces, switch boxes.







QQ

505924585



Tel

86-755-83222882  
86-13028816914



Add

616Room,505 Building ,Shangbu industry,  
Hangtian road ,Futian district ,Shenzhen,  
China,518031



Email

[lily@szomk.net](mailto:lily@szomk.net)



skype

szomk006



WhatsApp

86-13028816914



Contact us if you need to pay by Paypal, T/T, Western Union, Alipay, Cash, Wechat, or Trade Assurance. We will make proforma invoice for you.

For more quantity of our products, leave message or email

[lily@szonk.net](mailto:lily@szonk.net)

for best shipping cost via DHL、Fedex.



## ABOUT US

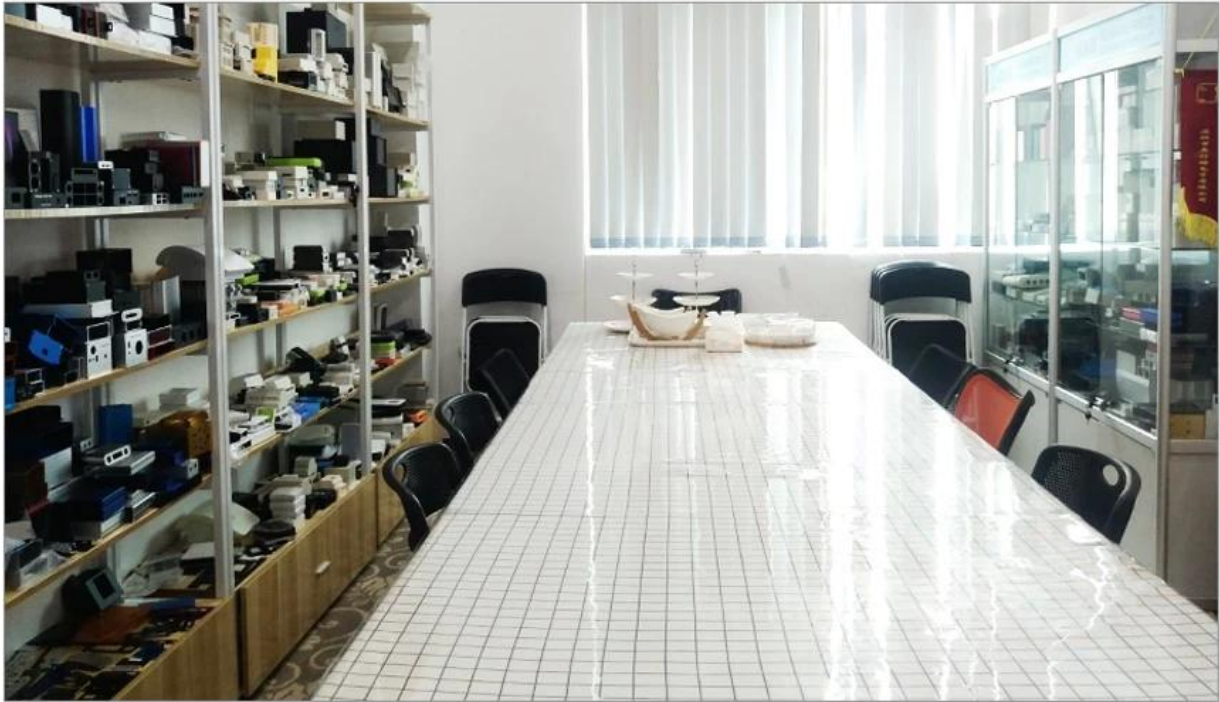
SHENZHEN OKM ELECTRONICS CO.,LTD is now one of the largest suppliers of all kinds of plastic and metallic enclosures in different fields of electronic,electrical,communication,medical,industrial and research projects purposes. We have more than 1000 moulds ,and we can do cutout,silkscreen ,label ,sticker ,laser carve and creat a new mould for you In today's industrial world and with the rapid development of all industries,the need of these products is sensed more than ever. Therefore by offering the best quality and service,we try to meet these needs and help you to reach your ideals.



## GROUP PHOTO







cutout, laser engrave, screen printing, sticker, acrylic plate, pvc label, color, silica gel rings, etc.



PACJAGUBG PROCESS



**Elk onderzoek, aub contact opnemen met: [lily@szomk.net](mailto:lily@szomk.net)**



**Uw aanvraag wordt 24 uur per dag  
geantwoord. : o)**