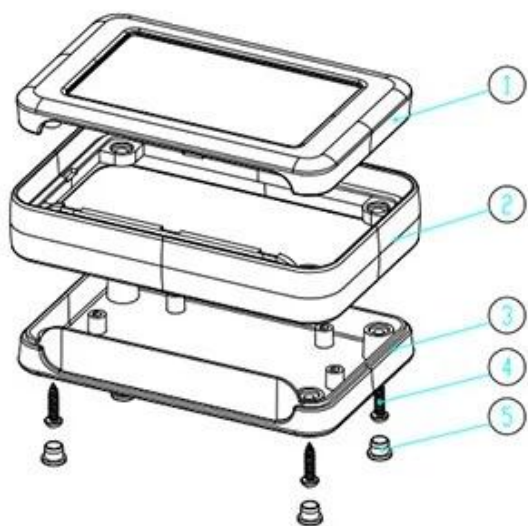


# 89X57X20mm high quality ip54 metal junction box handheld plastic enclosure supplier

## Product Show



## Product Specifications:

ENCLOSURE PROVIDE ONE-STOP SERVICES	
Type	plastic handheld enclosures
Model No.	AK-H-13
Size	89X57X20mm/3.50*2.24*1.5 inch
Weight	38g
Body Color	Black/White/Transparent and can be customized
Side Color	Black/White also can be customized
Material	ABS Plastic
Customized Service	cut-out/silkscreen/laser engraving/sticker/Tapping/Laser cutting and so on
Drawing	PDF/CAD/3D
Advantage	can do small order DIY customized

## Advantages for handheld plastic enclosures

1. Has a strong resistance to abrasion, weathering, corrosion.
2. Can be formed on the surface of a variety of colors, to maximize fit your requirements.
3. Have a strong hardness, can be well protected your electronics.

## What we can do for you?About ip54 metal junction box



1. We provide thousands of public enclosure and we have some goods in our stock.

MOQ: 1 pcs

2. We can do DIY small order custom service-----MOQ: 20-50 pcs

3. We can design private custom enclosures (if you provide PCB)

4. To private mold customization (Provide sample or STEP file)

6. Customized service: cutout/mold/Acrylic plate/PVC label/Silkscreen/laser engraving/sticker/silicone/change color and so on.

## Who we are?



### Company Profile



**High Quality Enclosure One-stop Service**

SHENZHEN OMK ELECTRONICS CO.,LTD is now one of the largest suppliers of all kinds of plastic and metallic enclosures in different fields of electronic, electrical, communication, medi-cal, industrial and research projects purposes, we have more than 1000 moulds, and we can do cutout, silkscreen, lable, sticker, laser carve and creat a new mould for you in today's industrial world and with the rapid development of all indus-tres, the need of these products is sensed more than ever, meet these needs and help you to reach your ideals.

### **SZOMK ADVANTAGE:**



R&D  
CUSTOMIZE



Advanced  
TECHNOLOGY



Strictly  
QUALITY CONTROL



Excellent  
SERVICE TEAM



Certificated iso,quality assurance  
Certificated FCC &CE

Small order	It's no problem MOQ=1
QTY order	High quality short delivery time
Urgent order	Urgent order no problem how many pcs finished we will sending to you at once

## Packing&delivery for handheld plastic enclosures

**Packing:**

- 1) enclosure industrial packing by poly bag
- 2) then by export standard carton
- 3) as customer request

**Delivery:**

Standard stock product	1-3 working days
Custom product in stock	3-10 working days
Custom product out of stock	10-20 working days

Remarks: Every customer situation is different, please contact our sales confirmation for details.