

Suitable for IoT device, data transmitter and receiver, access point.

The cases are used in various sectors and fields, that is to say as an IoT network enclosure, sensor fence, custody for built-in PC, enclosure of the instrument,

Industrial control box, junction box, distribution box, audio amplifier frame and so on.

Choose from a wide range of about 2,000 public articles and without quantity requirements, you can simply buy from 1 piece onwards!

OEM Service

cut out

Silkscreen Printing/ Pad Printing

laser engraving

UV print

label

membrane keyboard

acrylic plate

oil painting

Plastic electroplating

Hot treatment

Custom PC plate

Plastic cnc

Ultrasound welding

RFI/EMI SHIELDING coating

UL94-V0 edit material, flame delay, high temperature delayer

3D printing (RDM/SLS/SLS/FSM)

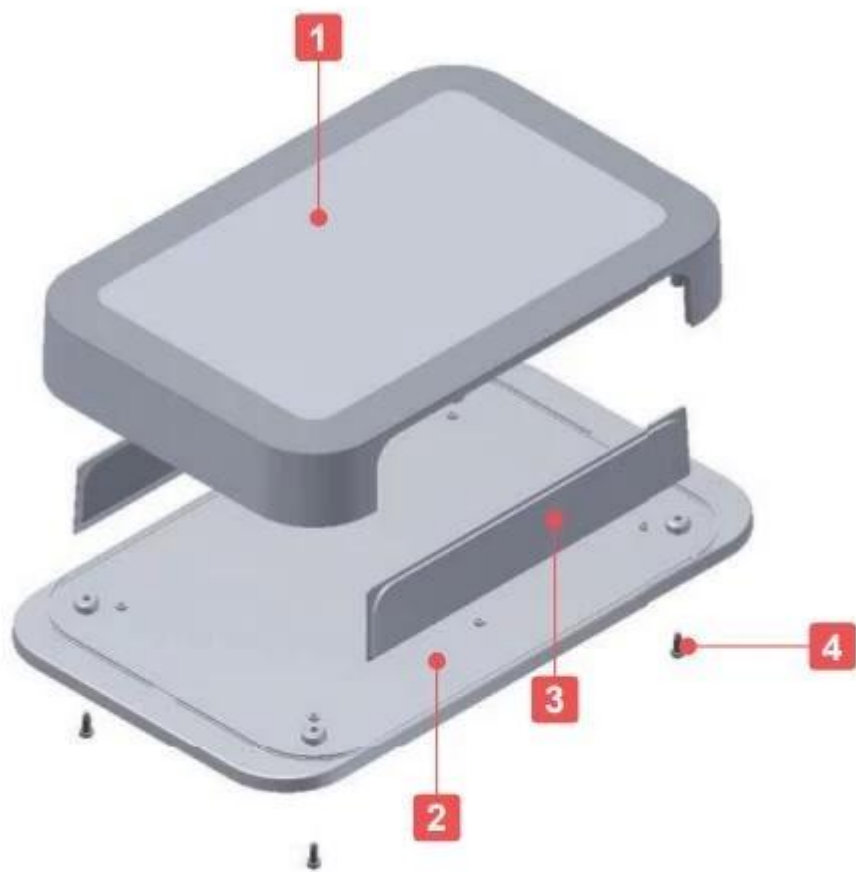
Empty casting

Industrial Engineering Drawing And tools

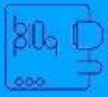
Moq:30PC

Application

- * USB Power Charging Hub + Data Hub
- * USB HEMODYNAMIC RESEARCH DEVICE
- * WiFi Access Point
- * WIRELESS HOME ELECTRONICS CONTROLLER
- * ADVANCED TRIGGER STATION
- * G4 FLIGHT TRACKER
- * GSM MODULE
- * IOT and SENSOR
- * NETWORK TRAINING SYSTEM
- * COMMUNICATION UNIT with SENSOR
- * WIRELESS NETWORK DATA LOGGER
- * FLANGED NETWORK PLASTIC BOX







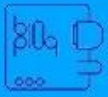
SZOMK

124*67*34mm



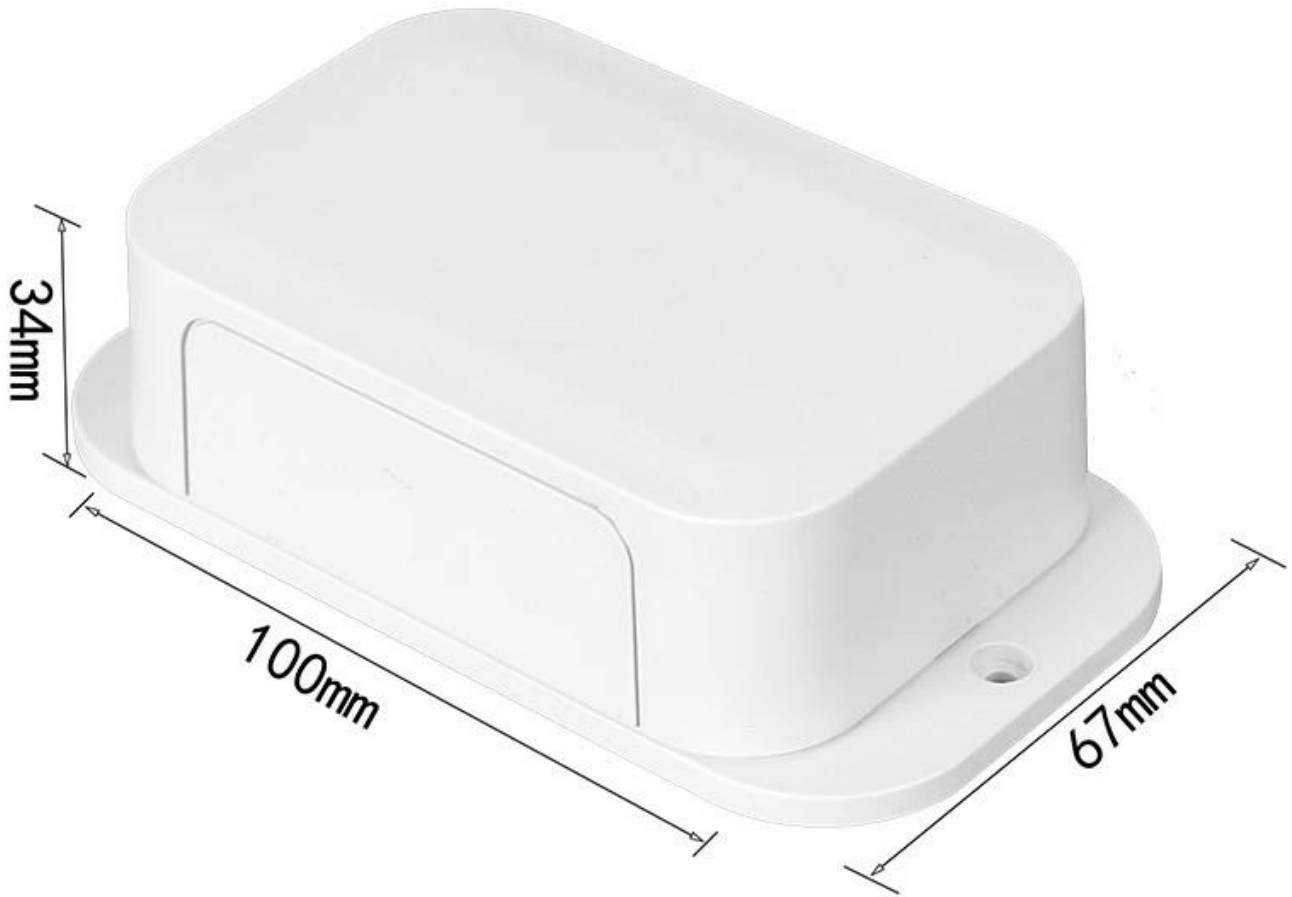
66g

AK-W-66



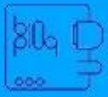
SZOMK

124*67*34mm



66g

AK-W-66



SZOMK

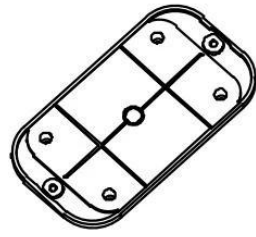
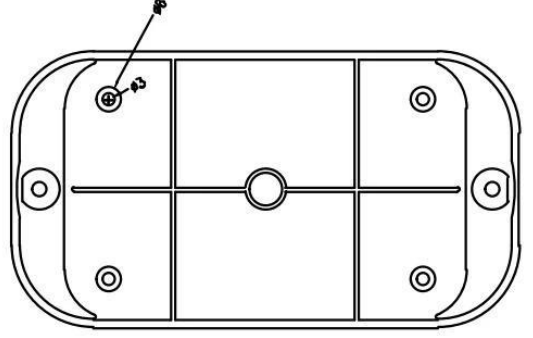
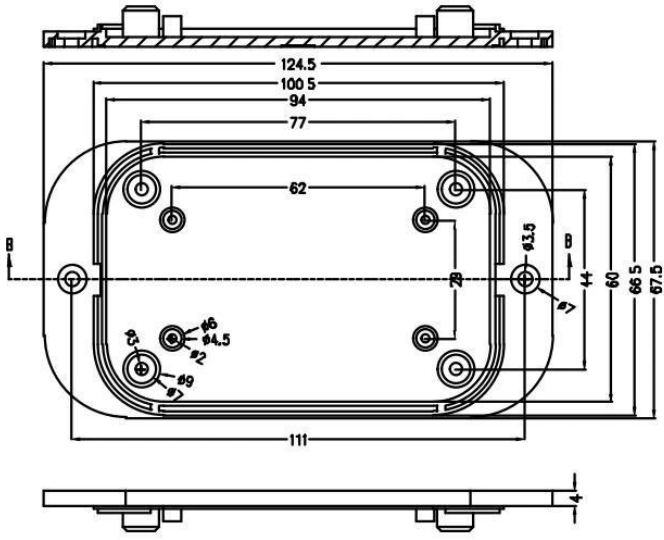
124*67*34mm



66g

AK-W-66

B-B



: