

Here is our customize service:

- 1, change aluminum length
- 2, change color of our boxes
- 3, product polishing
- 4, powder coating
- 5, brushed oil
- 6, cut-out
- 7, lasder engraving
- 8, PVC label
- 9, Acrylic plate
- 10, silk screen printing
- 11, make sticker
- 12, silica gel edges
- 13, sandblasting
- 14, wire drawing
- 15, UV protection

Use:

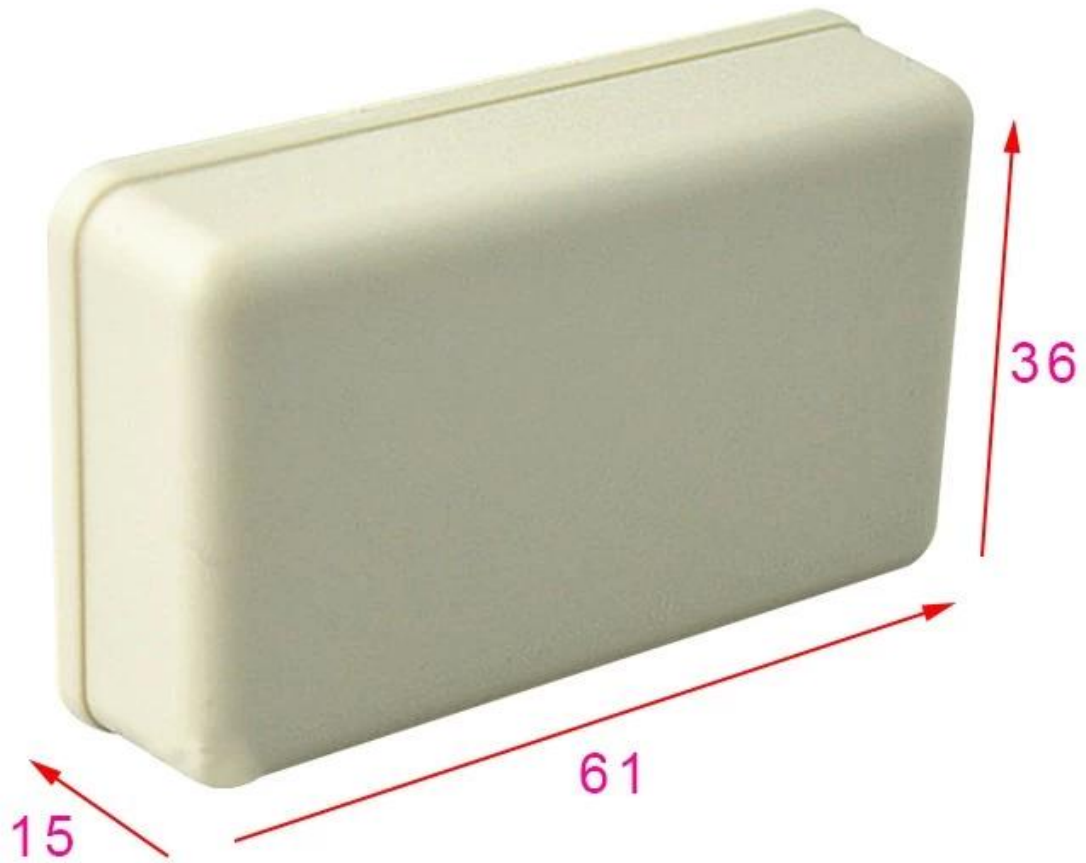
It is widely used in electronics, instrumentation, automation, communication, power supply unites, student projects, amplifiers, healthcare equipment, test and measurement equipment, industrial control, peripherals devices and interfaces, switch boxes.

Attention:

Welcome to contact us for more details and quotations of our enclosure, your inquiry will surely get prompt response in 24 hours.
:-)

SZOMK

Customizable
Cutout, sticker
Silkscreen, color



Weight : 15 g

Model No. AK-S-66

Size: 2.4*1.42*0.59 inch

61*36*15 mm

SZOMK

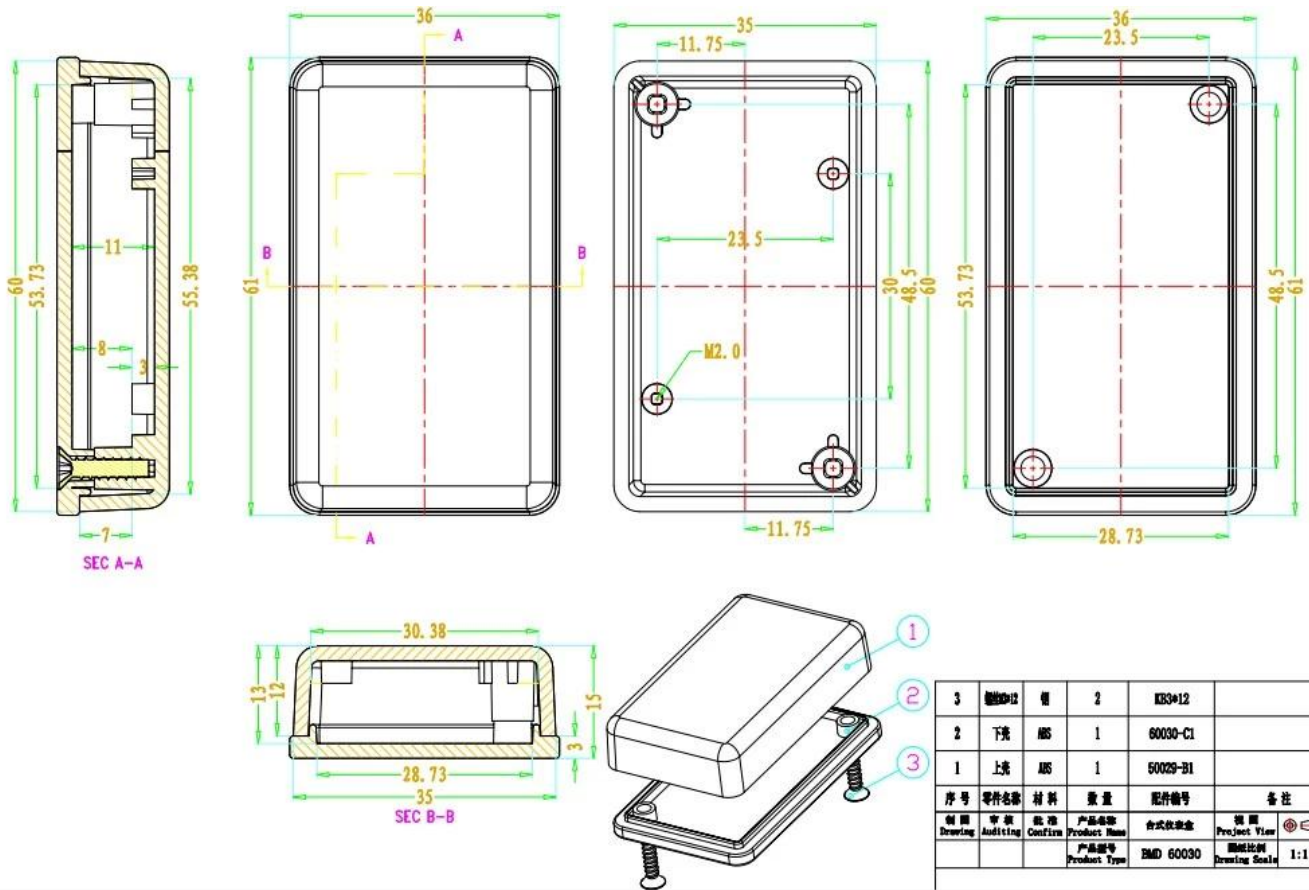


SZOMK



SZOMK





3	螺丝M2	颗	2	K09*12	
2	下壳	ABS	1	60030-C1	
1	上壳	ABS	1	60029-B1	
序号	零件名称	材料	数量	配件编号	备注
制图	审核	批准	产品标准	台式状态	日期
Drawing	Autliting	Confirw	Product Name	ZMD 60030	Project Year
			产品类型	ZMD 60030	图幅比例
			Product Type	ZMD 60030	Drawing Scale
					1:1 QM0



T/T, WESTERN UNION, MONEY
GRAM AND PAYPAL ACCPETED.

Skype: 13691908154

Tel: +86 13691908154

E-mail: galaxie@szomk.net

Contact Us