

## Packaging & Delivery

Packaging Details:	Carton and plastic foam and tape packaging-extruded aluminum box enclosure diecast
Delivery Detail:	5-15 working days,different quantity different delivery time

## Specifications

- 1.Type:electronic extruded aluminum control enclosure
- 2.Model No:AK-C-B78
- 3.Size:30(H)50(W)80(L)mm
- 4.MOQ:1 pc

## Introduction of extruded aluminum box enclosure diecast

The extruded aluminum box enclosure diecast is used as an anode, placed in electrolyte,artificially formed the enclosure having a protective aluminum oxide film on the surface.

## Extruded aluminum box enclosure diecast features

1. Has a strong resistance to abrasion, weathering, corrosion.
2. Can be formed on the surface of a variety of colors, to maximize fit your requirements.
3. Have a strong hardness, can be well protected your electronics.

## Extruded aluminum enclosure

Type	B-Normal series extruded aluminum enclosure
Brand	SZOMK
Material	aluminum
Model No.	AK-C-B78
Size46	30(H)*50(W)*80(mm)
Color	silvery and different colors can be customized
Customized MOQ	1 pieces
Protect level	IP54
Lead time	7-15 days after get payment
Normal packing	Carton and plastic foam and tape packaging

## Detail picture of extruded aluminum enclosure

# SZOMK

Customizable  
cutout, sticker  
silkscreen, color



Weight: 60g  
Model No. AK-C-B78

Size: 1.18\*1.97\*3.15 inch  
30\*50\*80 mm

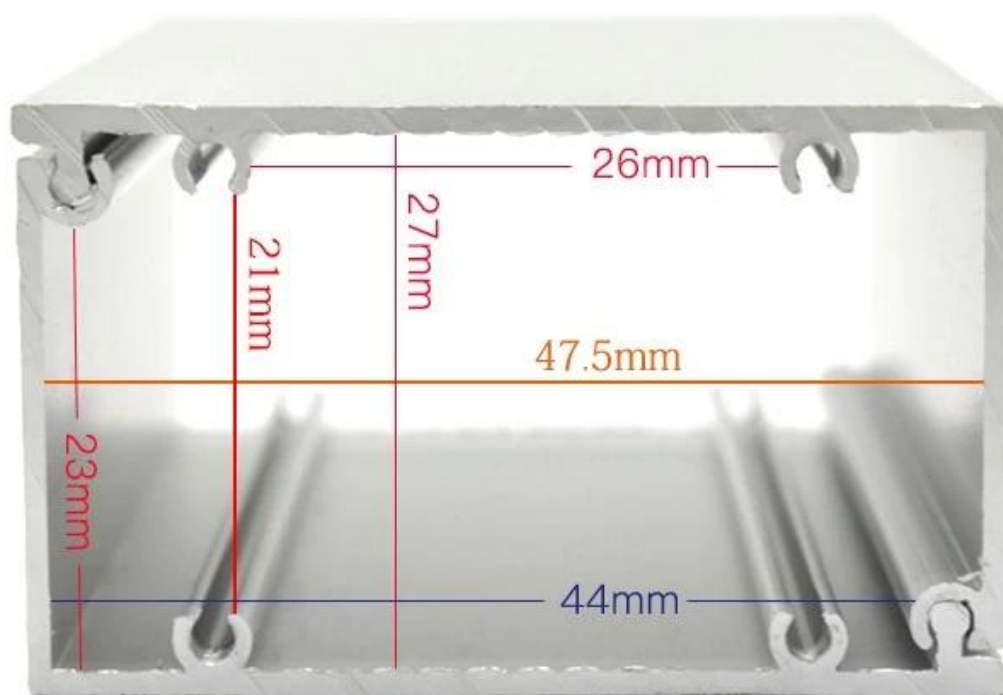
**SZOMK**



**SZOMK**



# SZOMK



# SZOMK



## Certifications



Certificated iso,quality assurance  
Certificated FCC &CE

**ANY QUESTIONS, PLEASE CONTACT US [□](#)**



Name

**Carina**



QQ

**2819022460**



Tel

**81-755-83222882**  
**+86 18819070232**



Add

**16-6Floor, 505Building ,Shangbu Industry  
Area, Hangtian RD, Futian District ,Shenzhen  
China**



Email

**carina@szomk.net**



Skype

**szomk1010**



WhatsApp

**18819070232**