

Advantages of SZOMK housing

1. It has strong corrosion resistance, weatherability, corrosion resistance.
2. surface may be formed in a variety of colors, and the maximum to meet your needs.
3. Have a good strong toughness save your electronics.

What can we do for you

1 Drilling, punching and so on. Welcome to the graphics on demand.

2 powder paint, brushes, polishing, silk screen, laser engraving, posters, engraving, acrylic resin panel.

3 short delivery time, usually after 3-5 days after payment (according to the number)

4 tips for your inquiry

product specification

SZOMK



Enclosure Manufacturer

www.chinaenclosure.com

SZOMK

Customizable
cutout, sticker
silkscreen, color



Weight: 110g
Model No. AK-S-04

Size: 6.10*3.15*1.77 inch
155*80*45 mm

SZOMK

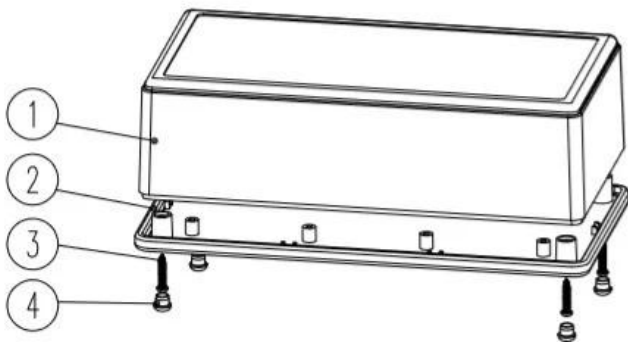
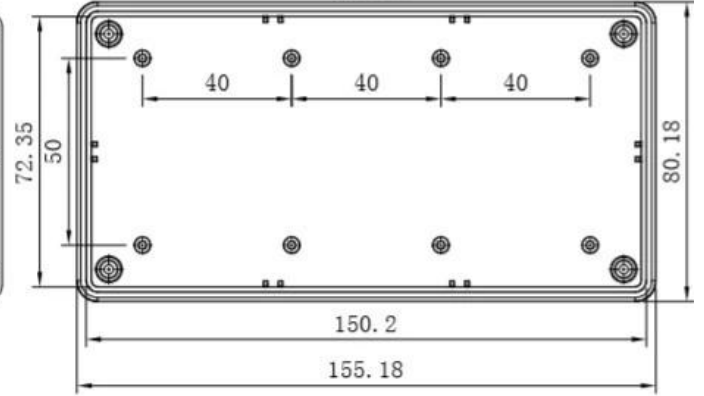
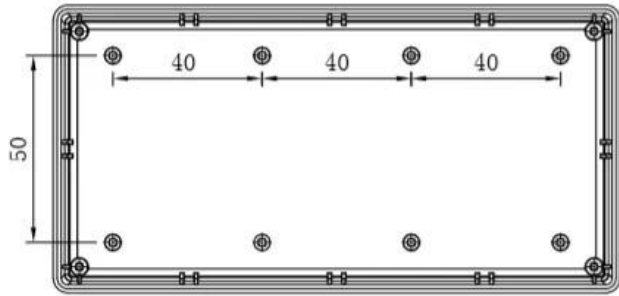
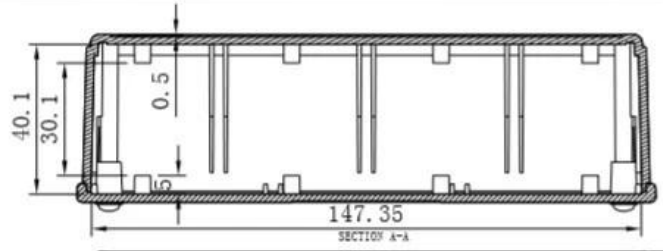
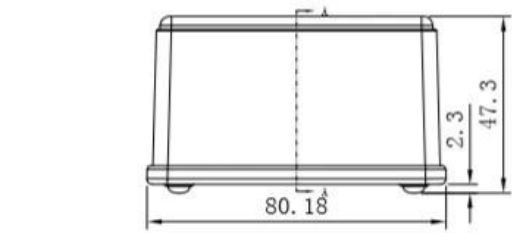


SZOMK



SZOMK





Customized services

— — — — —



Company Information



Shenzhen Futian Huaqiang Electronic World OMK Electronic Sales Department

This complex, during long years of efforts with its own experienced group and sole facilities for improvement of productions and promotion of products quality, is now one of the largest suppliers of all kinds of metallic and plastic enclosures in different fields of electronic, electrical, communication, medical, industrial and research projects purposes.

In today's industrial world and with the rapid development of all industries, the need of these products is sensed more than ever. Therefore by offering the best quality and service, we try to meet these needs and help you to reach your ideals.

Factory and showroom



Exhibition



Certificate



Packaging & Shipping



Contact information



T/T, WESTERN UNION, MONEY
GRAM AND PAYPAL ACCPETED.

Skype: 13691908154

Tel: +86 13691908154

E-mail: galaxie@szomk.net

[Contact Us](#)