

It is widely used in electronic, instrumentation, automation, communications, power supply units, student projects, amplifiers, Medical and wellness devices, test and measurement equipment, industrial control, peripheral devices and interfaces, switch boxes.



## Advantages of abs plastic enclosure electronics distribution box

1. Has a strong resistance to abrasion, weathering, corrosion.
2. Can be formed on the surface of a variety of colors, to maximize fit your requirements.
3. Have a strong hardness, can be well protected your electronics.

## What we can do for you

- 1 Drilling, Punching, etc. Welcome to provide drawings custom.
- 2 Powder Coating, Brush, Polish, Silkscreen, Laser Carve, Sticker, Engraving, Acrylic Sheet.
- 3 Short lead time, normally 3-5 days after payment (according to quantity)
- 4 Prompt response for your inquiry

## Detailed pictures of abs plastic enclosure electronics distribution box

# SZOMK



▶ **Enclosure Manufacturer**  
[www.chinaenclosure.com](http://www.chinaenclosure.com)

# SZOMK

Customizable  
cutout, sticker  
silkscreen, color



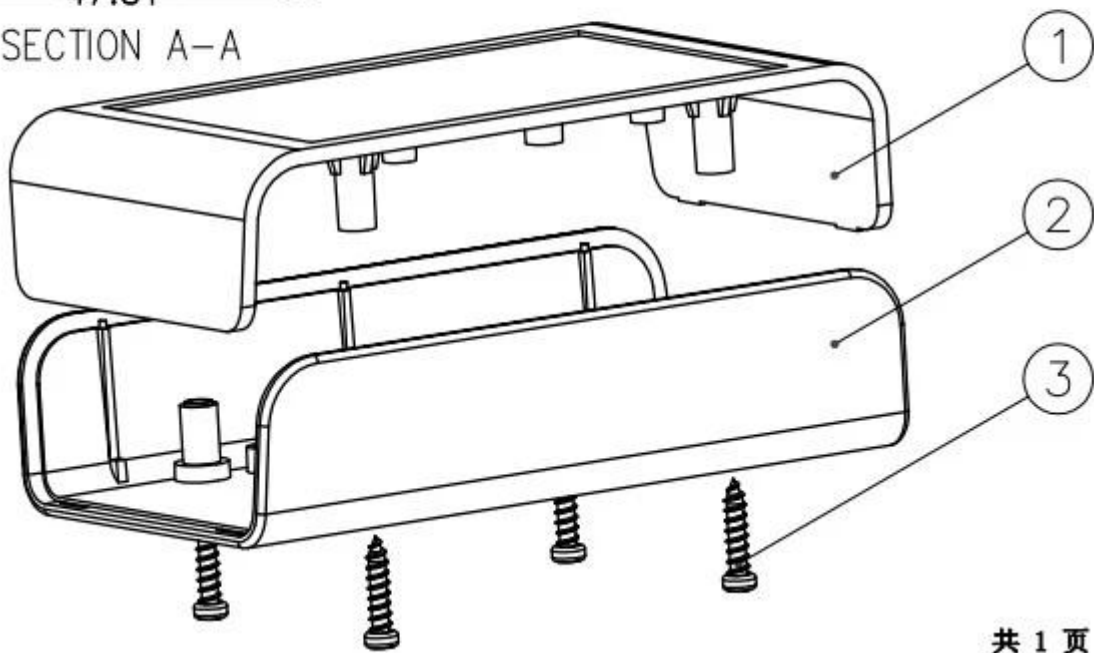
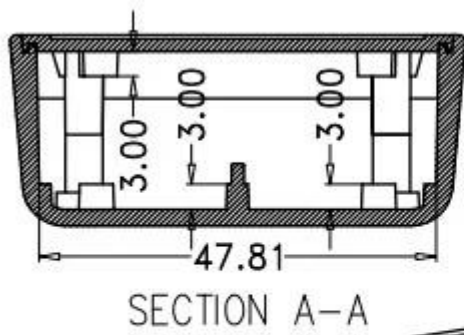
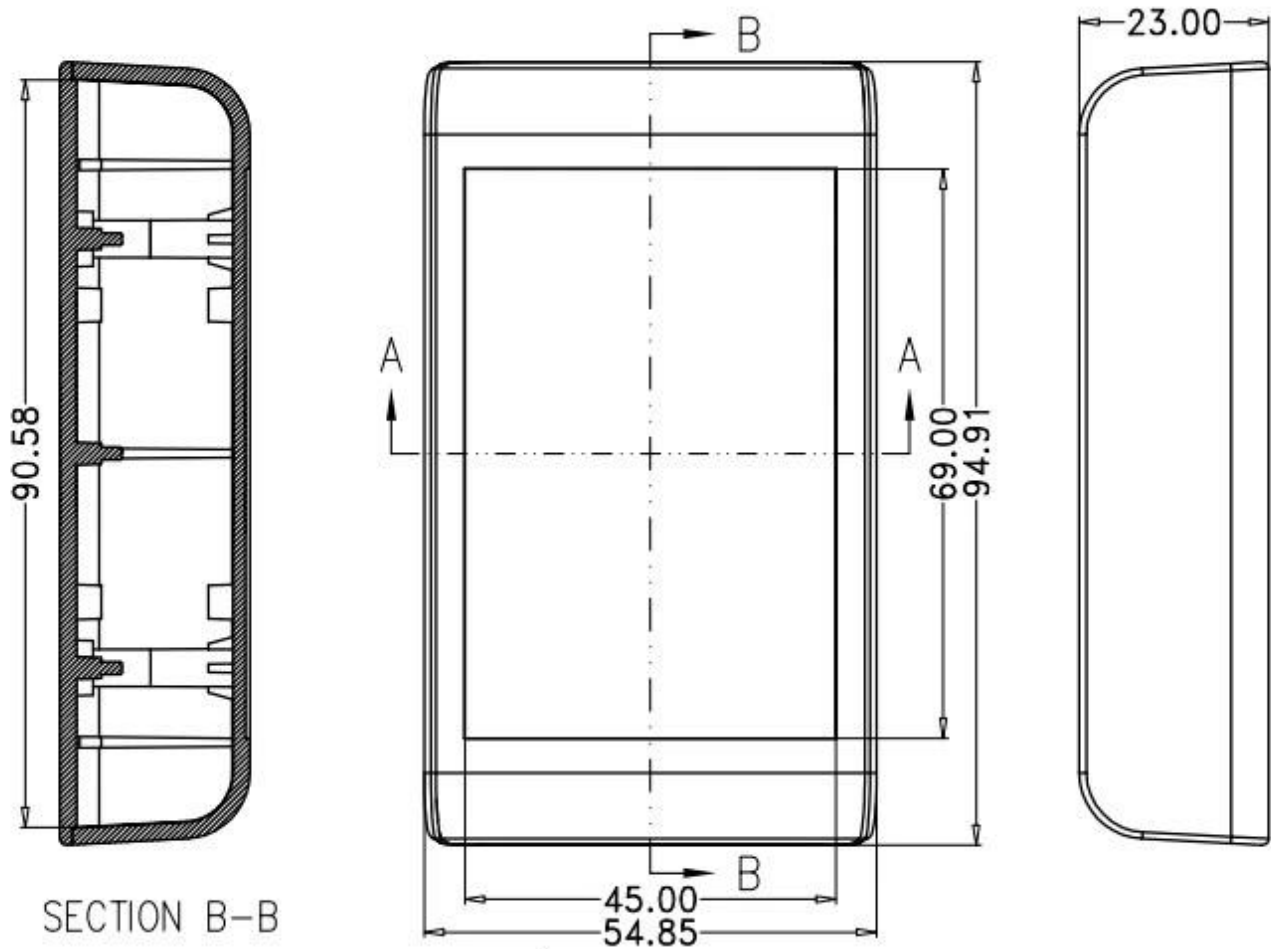
Weight: 24g  
Model No. AK-S-01

Size: 3.15\*1.97\*0.75inch  
80\*50\*19 mm

# SZOMK



**Detailed drawings**



Other customization



**SZOMK**

## WE CAN DO

- ✓ *Provide thousands of public enclosure* MOQ: 1 piece
- ✓ *Small order custom* MOQ: 20-30 pcs
- ✓ *Design private custom enclosure (provide PCB)*
- ✓ *Molding, tooling (provide sample / STEP file)*



cutout, laser engrave, screen printing, sticker, acrylic plate, pvc label, color, silica gel rings, etc.

## WE CAN DO

For **HOUSING** some of the Processing,  
Openings, Screen, Stickers, PVC LABEL



## Packing and shipping methods



## Our packaging

Plastic foam packaging



Metal shell packaging



Plastic box packaging



## Packaging & Shipping



sure we can



WE ♥ LOGISTICS™



## Contact us



T/T, WESTERN UNION, MONEY  
GRAM AND PAYPAL ACCPETED.

Skype: 13691908154

Tel: +86 13691908154

E-mail: galaxie@szomk.net

Contact Us