

Here is our customize service:

1. Change the length
2. Change color
3. Polishing
4. Sandblasting
5. Brushed aluminum foil
6. Cut hole
7. Laser carve
8. PVC label
9. Acrylic plate
10. Screen

Use:

It is widely used in electronics, instrumentation, automation, communication, power supply unites, student projects, amplifiers, healthcare equipment, test and measurement equipment, industrial control, peripherals devices and interfaces, switch boxes.

Attention:

Welcome to contact us for more details and quotations of our enclosure, your inquiry will surely get prompt response in 24 hours. :-)

SZOMK

**Customizable
Cutout, sticker
Silkscreen, color**



Model No. AK-H-44

156*97*25 mm

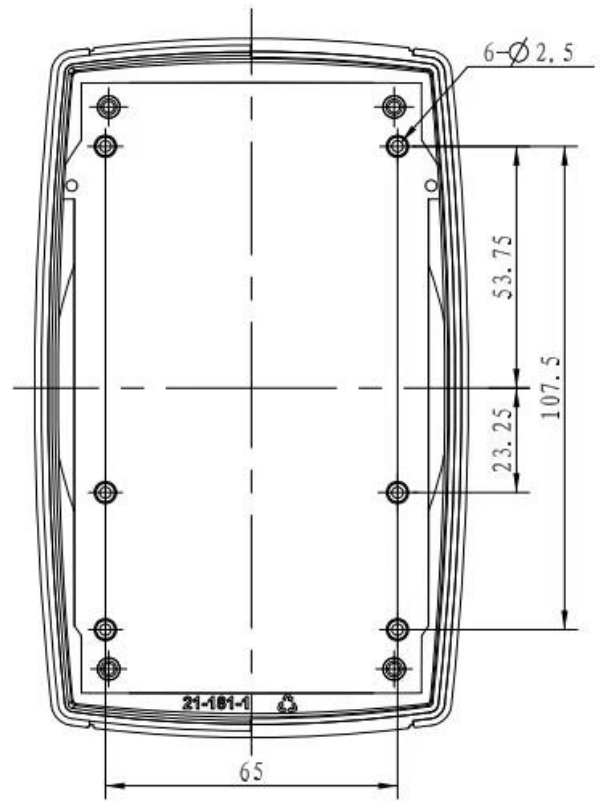
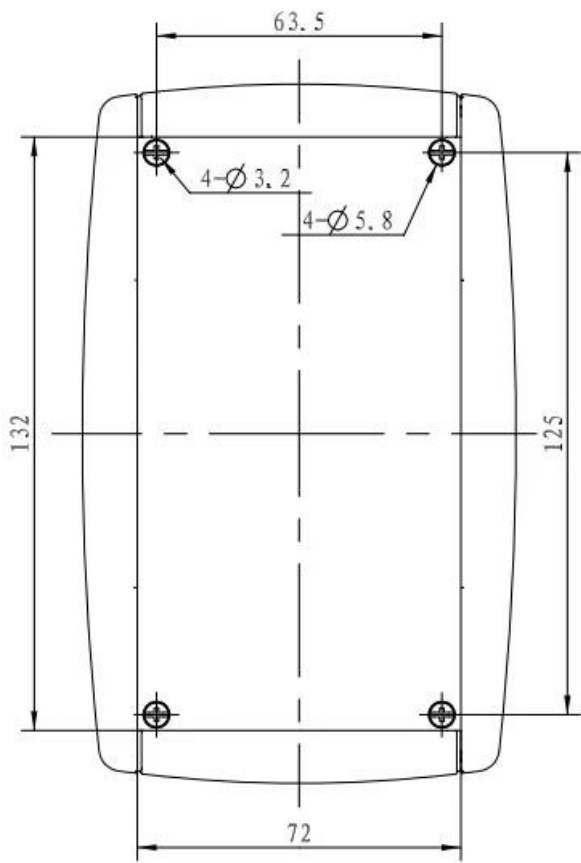
Weight :112 g Size :6.14*3.82*0.98 inch

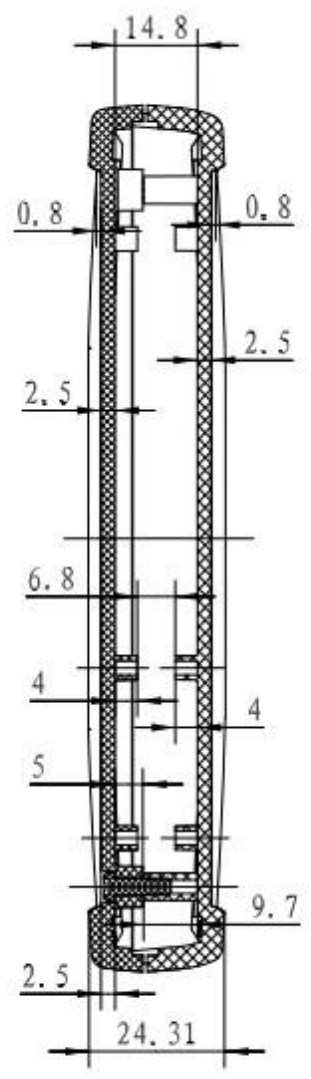
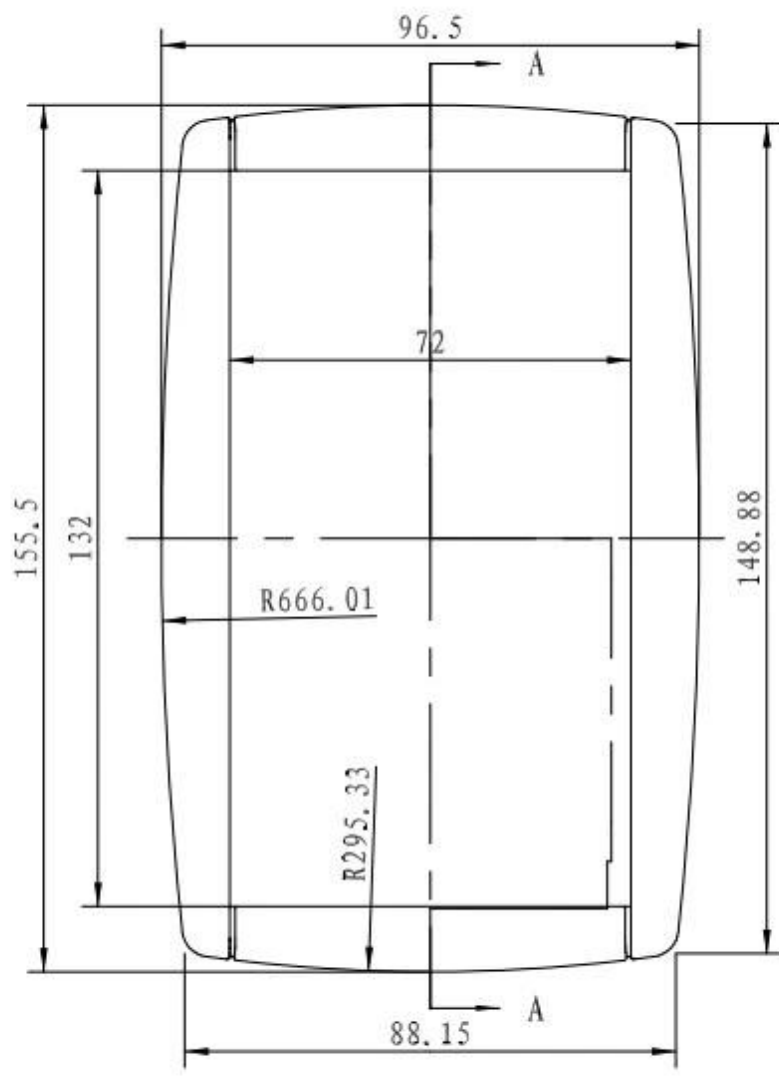
SZOMK

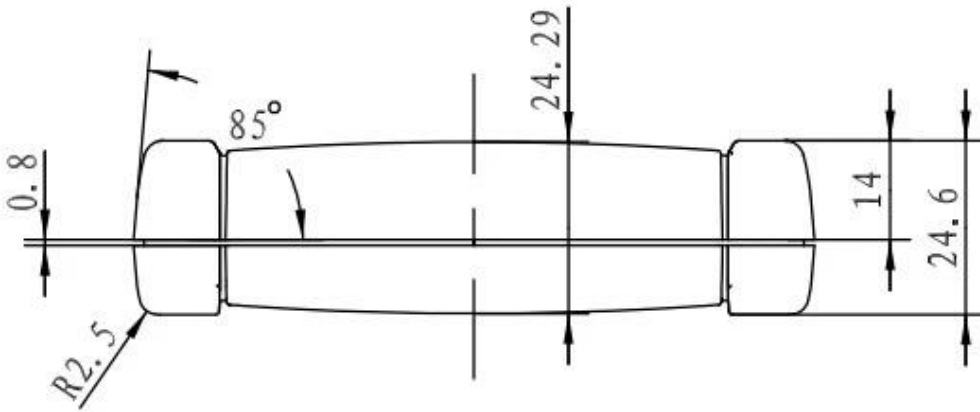
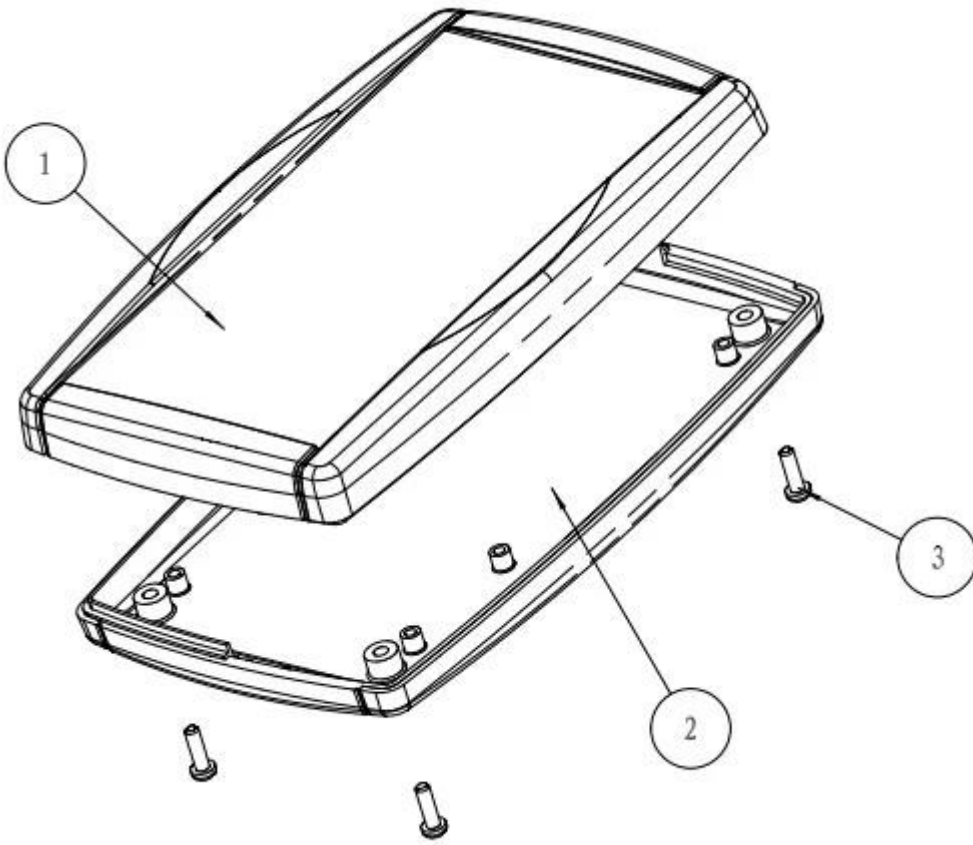


SZOMK











T/T, WESTERN UNION, MONEY
GRAM AND PAYPAL ACCPETED.

Skype: 13691908154

Tel: +86 13691908154

E-mail: galaxie@szomk.net

[Contact Us](#)