

It is widely used in electronic, instrumentation, automation, communications, power supply units, student projects, amplifiers, Medical and wellness devices, test and measurement equipment, industrial control, peripheral devices and interfaces, switch boxes.



Advantages of abs plastic enclosure electronics distribution box

1. Has a strong resistance to abrasion, weathering, corrosion.
2. Can be formed on the surface of a variety of colors, to maximize fit your requirements.
3. Have a strong hardness, can be well protected your electronics.

What we can do for you

- 1 Drilling, Punching, etc. Welcome to provide drawings custom.
- 2 Powder Coating, Brush, Polish, Silkscreen, Laser Carve, Sticker, Engraving, Acrylic Sheet.
- 3 Short lead time, normally 3-5 days after payment (according to quantity)
- 4 Prompt response for your inquiry

Detailed pictures of abs plastic enclosure electronics distribution box

SZOMK



▶ **Enclosure Manufacturer**
www.chinaenclosure.com

SZOMK

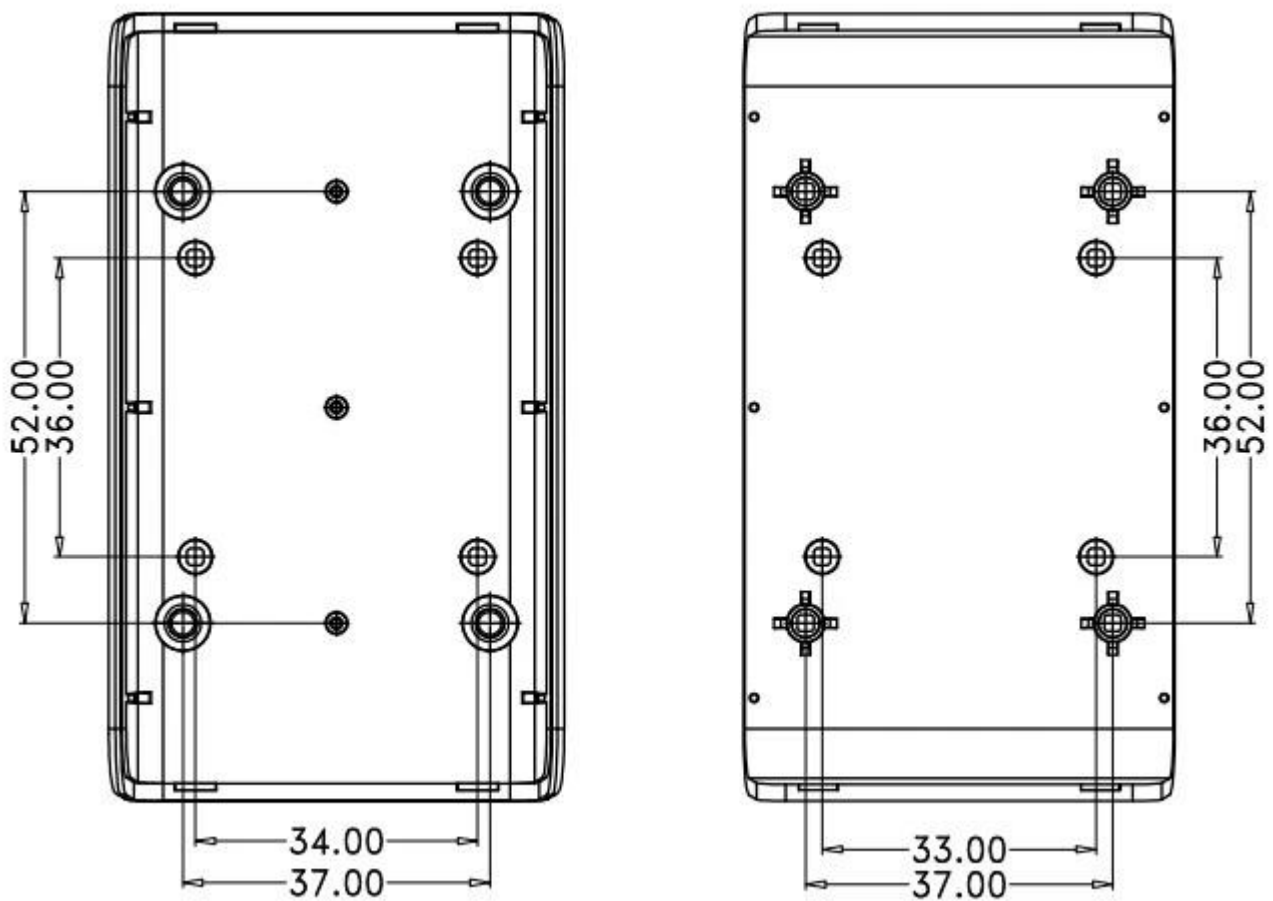
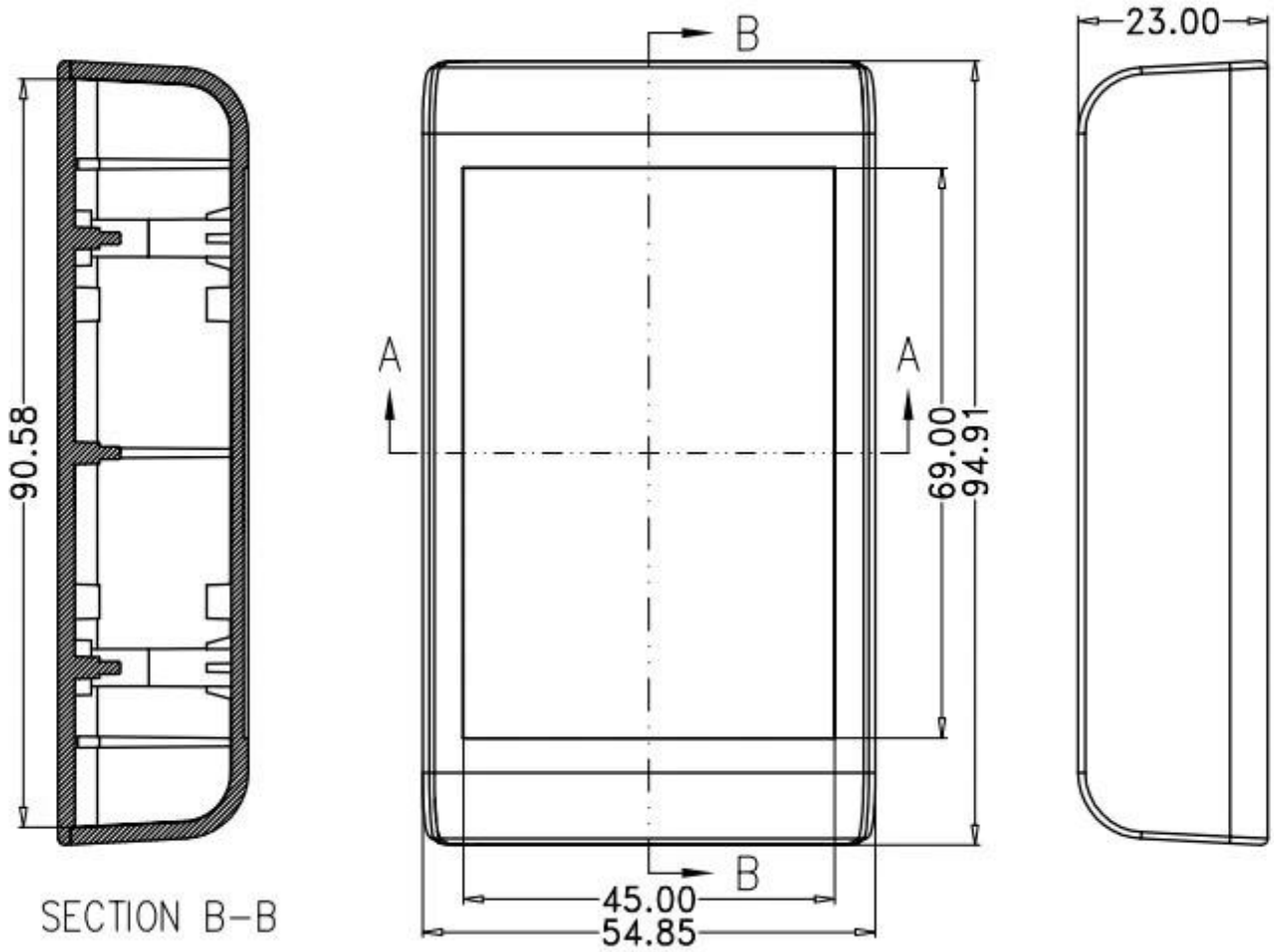
Customizable
cutout, sticker
silkscreen, color

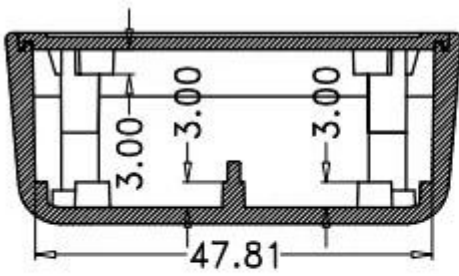


Weight: 36g
Model No. AK-S-02

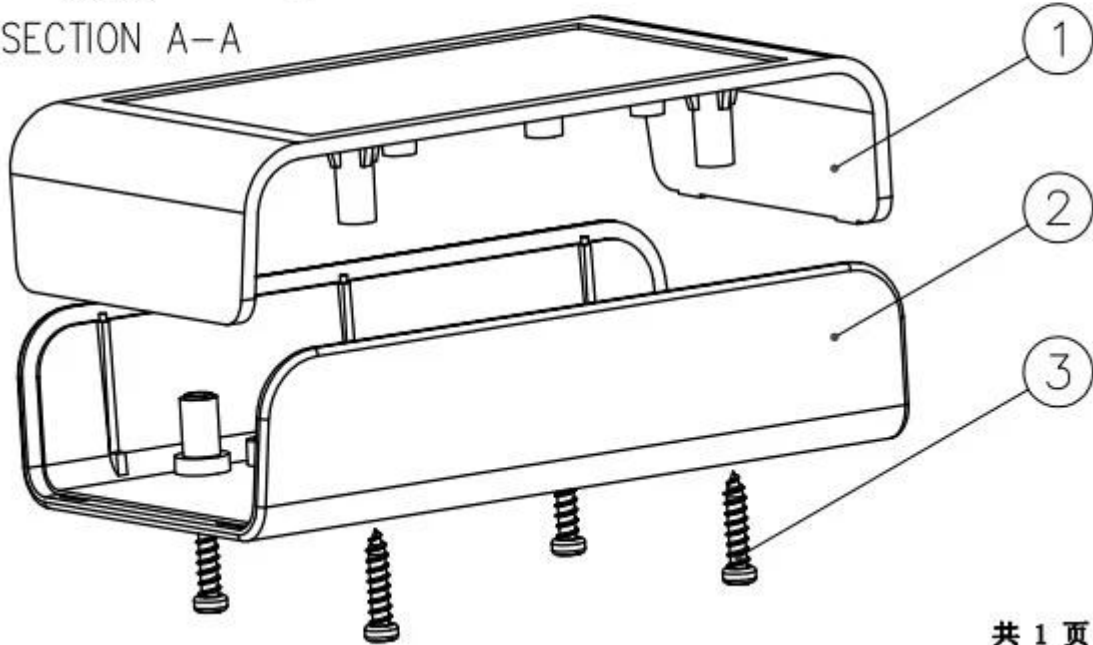
Size: 3.74*2.17*0.91 inch
95*55*23 mm

Detailed drawings





SECTION A-A



共 1 页

Other customization



SZOMK

WE CAN DO

- ✓

Provide thousands of public enclosure
MOQ: 1 piece


- ✓

Small order custom MOQ: 20-30 pcs
- ✓

Design private custom enclosure (provide PCB)
- ✓

Molding, tooling (provide sample / STEP file)



cutout, laser engrave, screen printing, sticker, acrylic plate, pvc label, color, silica gel rings, etc.



WE CAN DO

**For HOUSING some of the Processing,
Openings, Screen, Stickers, PVC LABEL**



Packing and shipping methods



Our packaging

Plastic foam packaging



Metal shell packaging



Plastic box packaging



Packaging & Shipping



Contact us



QQ

3010748891



Tel

81-755-83222882
+86 18819073301



Add

16-6Floor, 505Building ,Shangbu Industry
Area, Hangtian RD, Futian District ,Shenzhen
China



Email

smile@szomk.net



skype

szomk017