

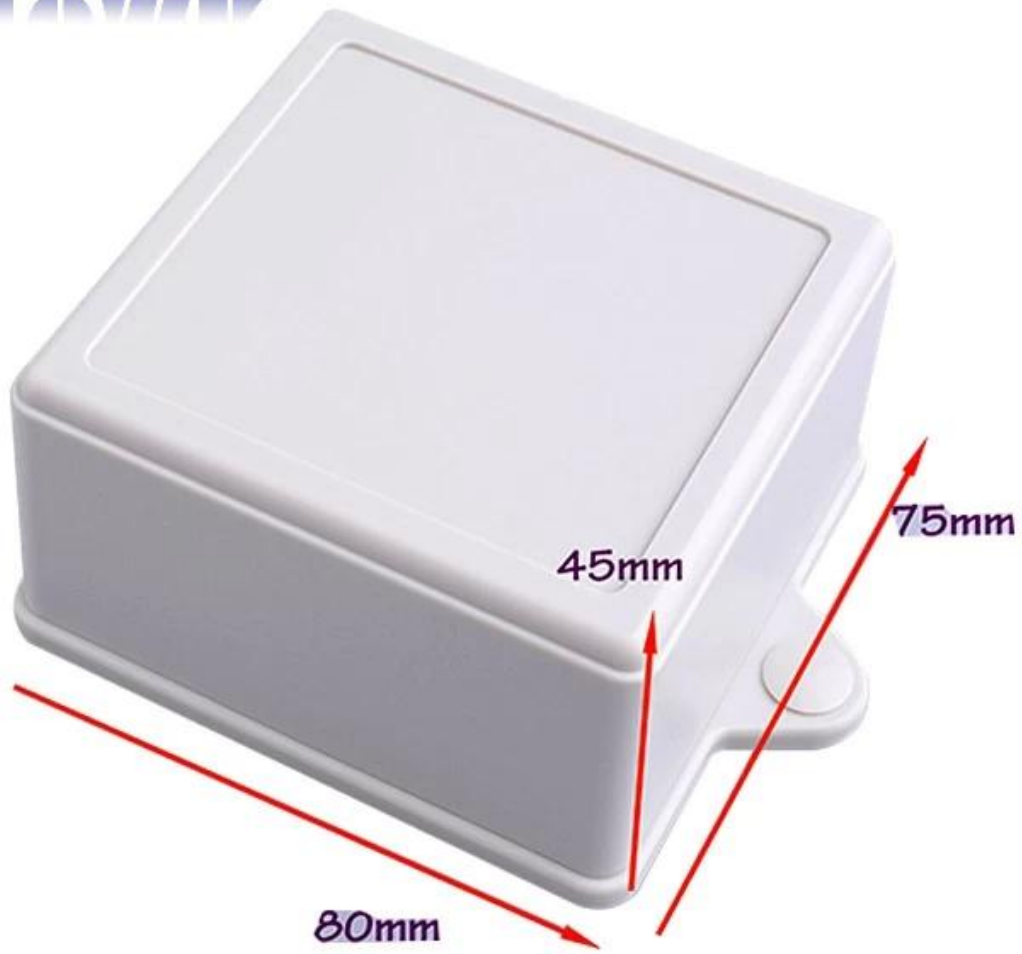
Features:

- 1, the product has a separate boxes and cartons.
- 2, the wall and the shell wall screw, the decorative sheet (grinding screw position).
- 3, with a simple (client) to match the screw
- 4, all of pouch packaging.
- 5, the product is made of a plastic material
- 6, respectively, according to their needs and drilling.

Main purpose:

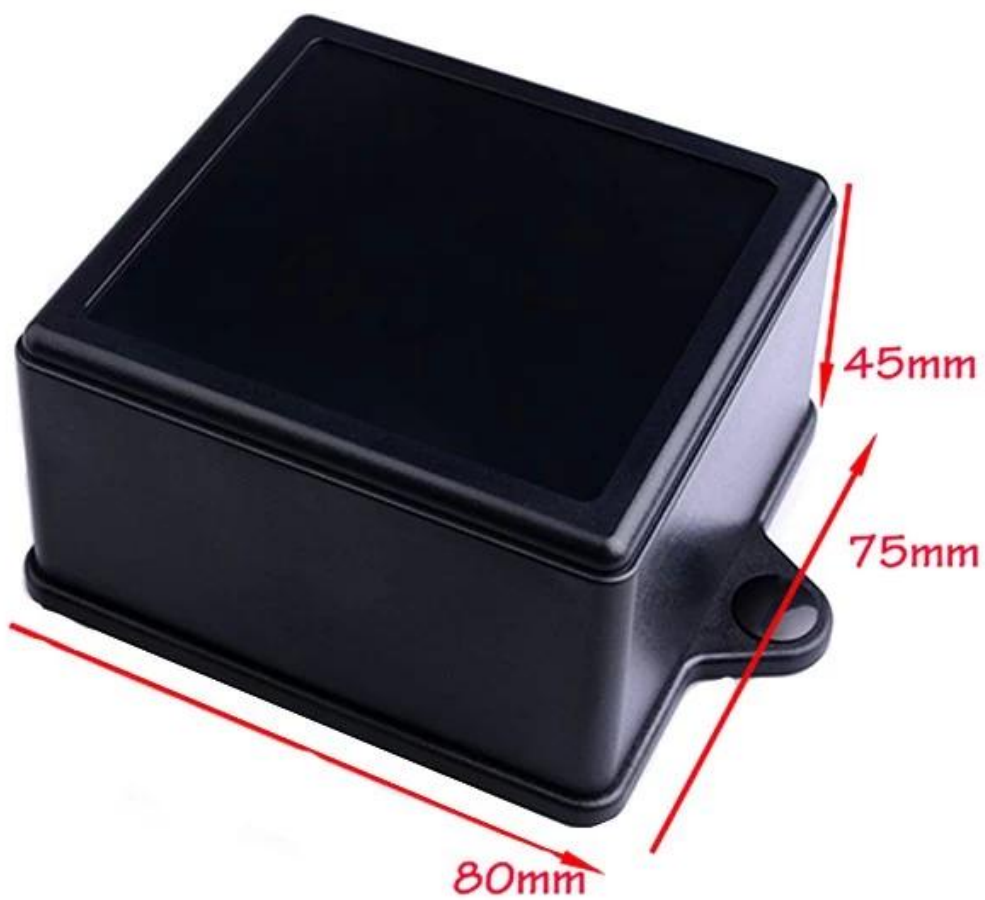
In the wall-mounted meter boxes and geographical differences in the different names are used for different industrial main junction boxes, meter boxes, electronic products, such as Shell, is mainly used for indoor and outdoor electrical, communications, fire fighting equipment, iron, electronics, electricity, railways, construction sites, cocks, airports, hotels, large factories, pollution range.

SZOMK

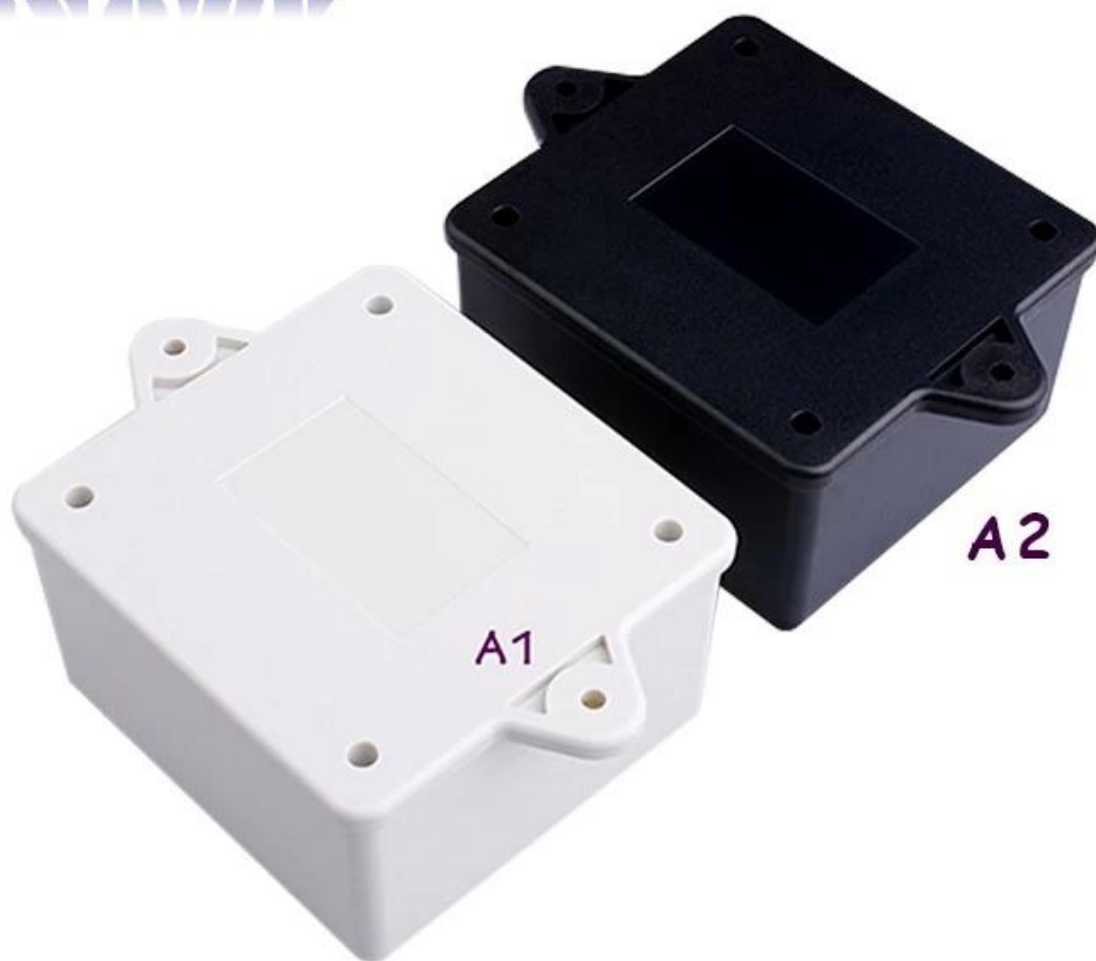


▶ **Enclosure Manufacturer**
www.chinaenclosure.com

SZOMK



SZOMK

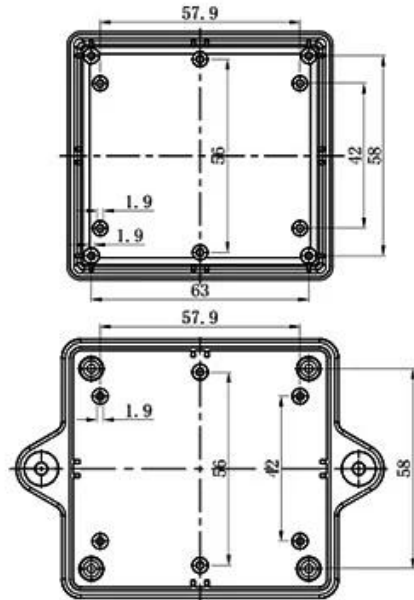
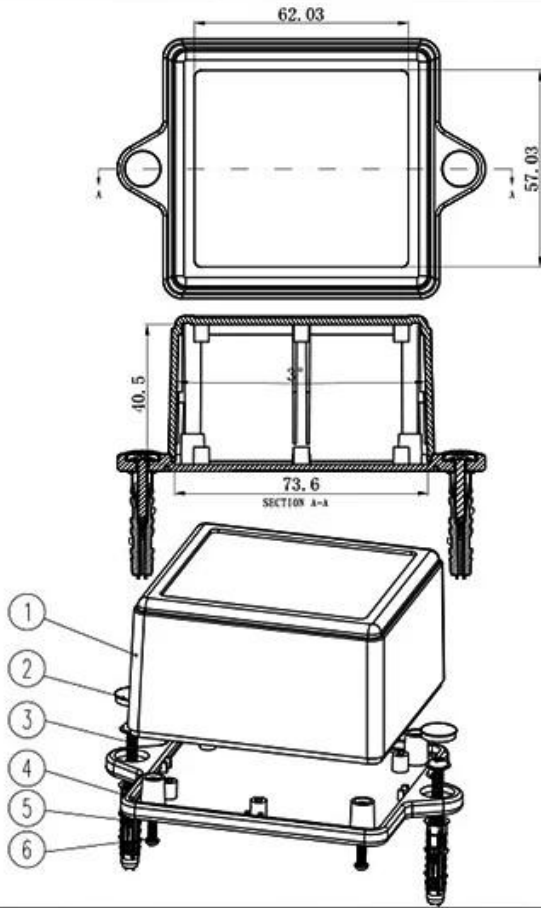


A1

A2

SZOMK





4	螺母 M4	钢	4	PA2-M412	
3	螺钉	PP	2	S-5	
4	下壳	ABS	1	MS04-C1	
3	螺母 M2.5	钢	2	PA3M25	
2	螺母 M3	ABS	2	KN-300-01	
1	上壳	ABS	1	60010-01	
序号	零件名称	材料	数量	配件编号	备注
制图	审核	批准	产品名称	轴柱式仪表壳	视图
Drawing	Auditing	Confirm	Product Name		Project View
			产品型号	轴柱 50014	图样比例
			Product Type		Drawing Scale
szomk.004@gmail.com					



T/T, WESTERN UNION, MONEY
GRAM AND PAYPAL ACCPETED.

Skype: 13691908154

Tel: +86 13691908154

E-mail: galaxie@szomk.net

[Contact Us](#)