

Features:

- 1, the product has a separate boxes and cartons.
- 2, the wall and the shell wall screw, the decorative sheet (grinding screw position).
- 3, with a simple (client) to match the screw
- 4, all of pouch packaging.
- 5, the product is made of a plastic material
- 6, respectively, according to their needs and drilling.

Main purpose:

In the wall-mounted meter boxes and geographical differences in the different names are used for different industrial main junction boxes, meter boxes, electronic products, such as Shell, is mainly used for indoor and outdoor electrical, communications, fire fighting equipment, iron, electronics, electricity, railways, construction sites, cocks, airports, hotels, large factories, pollution range.

SZOMK



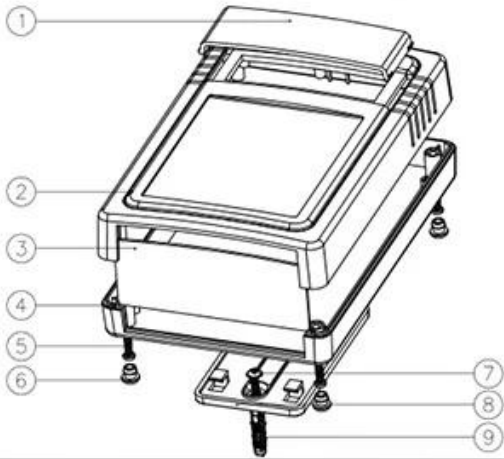
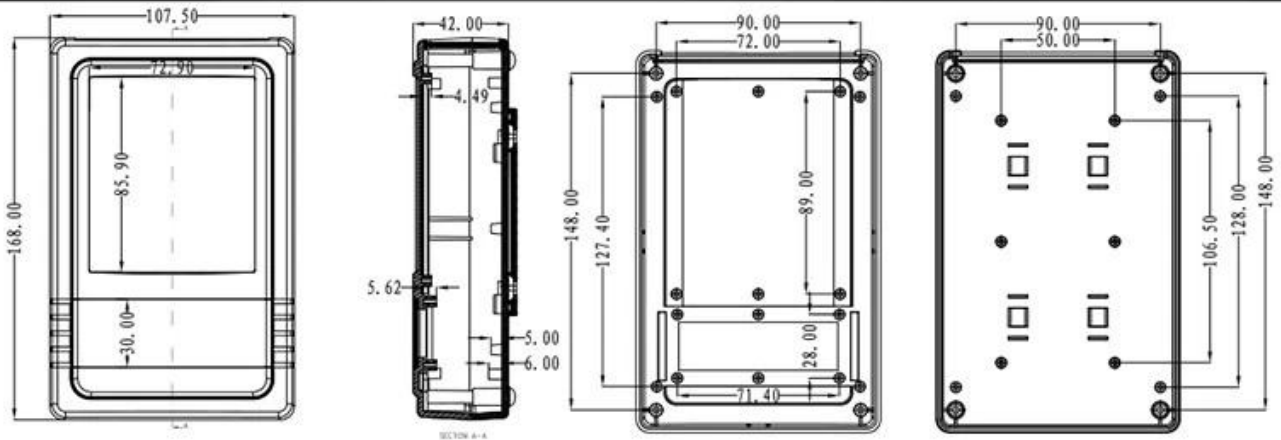
▶ **Enclosure Manufacturer**
www.chinaenclosure.com

SZOMK



SZOMK





9	螺钉	PC	1	S-5	
8	螺母	ABS	1	S0001-P1	
7	螺母	ABS	2	PA3325	
6	脚踏	PC	4	3P-8	
5	螺母	ABS	4	PA3314	
4	下壳	ABS	1	S0006-C1	
3	侧板	ABS	1	S0006-E1	
2	上壳	ABS	1	S0006-D1	
1	底座	PC	1	S0005-D1	
序号	零件名称	材料	数量	配件编号	备注
制图	审核	批准	产品名称	壁挂式仪表盒	视图
Drawing	Auditing	Confirm	Product Name		Project View
			产品型号	BW 50005	图纸比例
			Product Type		Drawing Scale

szomk.004@gmail.com

SZOMK

产品型号(MODEL NO.): BMW 50006-A1

产品尺寸(SIZE): 168×107×45MM

产品重量(WEIGHT): 167 g

szomk.004@gmail.com



19221556



	<p>产品编号(NUMBER): 50006-B1 产品名称(NAME): 上壳 EPIVALVE 模具编号(P/N): BAH10034-A1 材料(MATERIAL): ABS(浅灰色)PS20412 用量(QUANTITY): 1 PCS 重量(WEIGHT): 76 g</p>		<p>产品编号(NUMBER): 50006-C1 产品名称(NAME): 下壳 HYDROBGA 模具编号(P/N): BAH10034-A2 材料(MATERIAL): ABS(浅灰色)PS20412 用量(QUANTITY): 1 PCS 重量(WEIGHT): 66 g</p>
	<p>产品编号(NUMBER): 50005-D1 产品名称(NAME): TRANSLUCENT COVER 模具编号(P/N): BAH10033-A3 材料(MATERIAL): PC(茶色)0571 用量(QUANTITY): 1 PCS 重量(WEIGHT): 7 g</p>		<p>产品编号(NUMBER): 50006-E1 产品名称(NAME): 档板 BAFFLE 模具编号(P/N): BAH10033-A4 材料(MATERIAL): ABS(浅灰色)PS20412 用量(QUANTITY): 1 PCS 重量(WEIGHT): 7 g</p>
	<p>产品编号(NUMBER): PA3×14 产品名称(NAME): 盲孔螺丝 TAPPING SCREW 规格(STANDARD): M3×14 材料(MATERIAL): 铁 IRON 用量(QUANTITY): 4 PCS</p>		<p>产品编号(NUMBER): BP-8 产品名称(NAME): 脚垫 FOOTPAD 模具编号(P/N): BAH10026-A4 材料(MATERIAL): PVC(WHITE)CM7020 用量(QUANTITY): 4 PCS 重量(WEIGHT): 0.258 g</p>
	<p>产品编号(NUMBER): 50001-F1 产品名称(NAME): 墙挂 WALL ACCESSORIE 模具编号(P/N): BAH10096-A5 材料(MATERIAL): ABS(浅灰色)PS20412 用量(QUANTITY): 1 PCS 重量(WEIGHT): 12 g</p>		<p>产品编号(NUMBER): PWA3×25 产品名称(NAME): 盲孔螺丝 TAPPING SCREW 规格(STANDARD): M3×25 材料(MATERIAL): 铁 IRON 用量(QUANTITY): 2 PCS</p>
	<p>产品编号(NUMBER): S-5 产品名称(NAME): 墙钉 WALL NAIL 模具编号(P/N): BAH10032-A1A2 规格(STANDARD): 5×5 φ3-4 材料(MATERIAL): PP(GREY)CM1906 用量(QUANTITY): 2 PCS</p>		



T/T, WESTERN UNION, MONEY
GRAM AND PAYPAL ACCPETED.

Skype: 13691908154

Tel: +86 13691908154

E-mail: galaxie@szomk.net

[Contact Us](#)