

Quick Details:

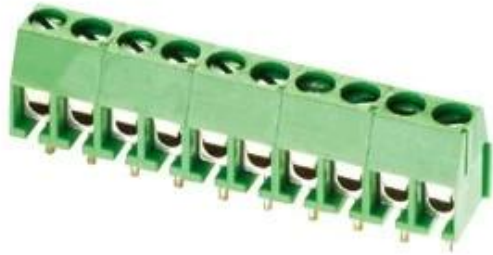
- 1 Place of Origin: Zhejiang, China (Mainland)
- 2 Packaging Details: Box length: 260mm , Width: 200mm Depth: 100mm
.1000pcs/box
- 3 Delivery Detail: normally 3-5 days after payment
- 4 Top quality products with certification of CE, UL, ROHS
- 5 Prompt reponse for your inquiry

Characterization

PCB terminal block is mainly characterized by the monomer and the circuit board soldering and wiring easy, and reliable screw connection. The pitch is 3.5, 3.81, 5.0, 5.08, and so on. The terminal blocks can be combined with 3P and 2P. The products without stitching are also available. The wiring directions are front, side, slope and other different styles.

Technical Parameters for Screw Terminal Block/Connector :

Electrical Specification	Mechanical Specification	Part & Material
Related: 300V 10A	Temp.Range: -30C-+120 C	Body: PA66,UL94V-0
Contact resistance: 20mΩ Max	Max Soldering: +250 C,5s	Screw: Steel,Zn plating
Withstanding:AC1500V/1min	Wire range: 24-18AWG	Wire Protector: Bronze,Ni plating
Torque:0.2Nm(1.8lb.in)	Strip Length: 4.5 -5mm	Terminal: Brass,Tin plating



Pitch:

5.0mm

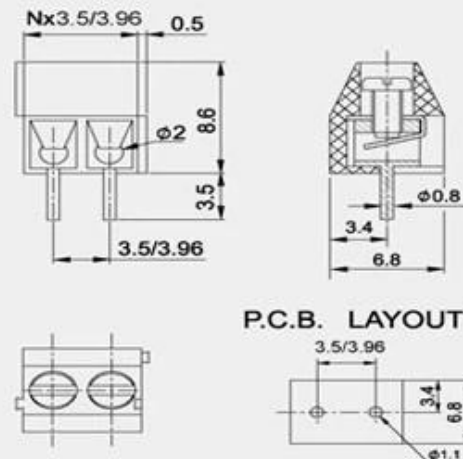
Poles:

2pole 3pole to any poles

SZOMK

- **Top quality products with certification of CE,UL,ROHS**
- **Short lead time, normally 3-5 days after payment**
- **Prompt reponse for your inquiry**

Pitch=3.5/3.96
Unit:mm
N=Poles



Company Information



Shenzhen Futian Huaqiang Electronic World OMK Electronic Sales Departmen

This complex, during long years of efforts with it's own experienced group and sole facilities for improvement of productions and promotion of products quality, is now one of the largest suppliers of all kinds of metallic and plastic enclosures in different fields of electronic, electrical, communication, medical, industrial and research projects purposes.

In today's industrial world and with the rapid development of all industries, the need of these products is sensed more than ever. Therefore by offering the best quality and service, we try to meet these needs and help you to reach your ideals.

Exhibition



Factory and showroom



Certificate



Packaging & Shipping

This section features a central illustration of a white airplane, a red truck, a cargo ship, and a white van. To the right of the illustration are logos for TNT (sure we can), UPS (WE LOGISTICS), SF EXPRESS (顺丰速运), FedEx Express, EMS, and DHL. Below the illustration and logos is a horizontal bar containing logos for PayPal, WESTERN UNION, VISA, ESCROW, MasterCard, and HSBC.



Shenzhen Futian Huaqiang Electronic World OMK
Electronic Sales Department

Tel: +86-755-83222882 E-mail: ivy@szomk.com.cn

