

We are pleased to offer you:

- 1 Drilling, punching, etc. Welcome customized drawings.
- 2 drilling, screen printing, laser engraving, stickers and so on.
- 3 short delivery time, usually 3-5 days after payment (according to the number)
- 4 for a timely response to your inquiry

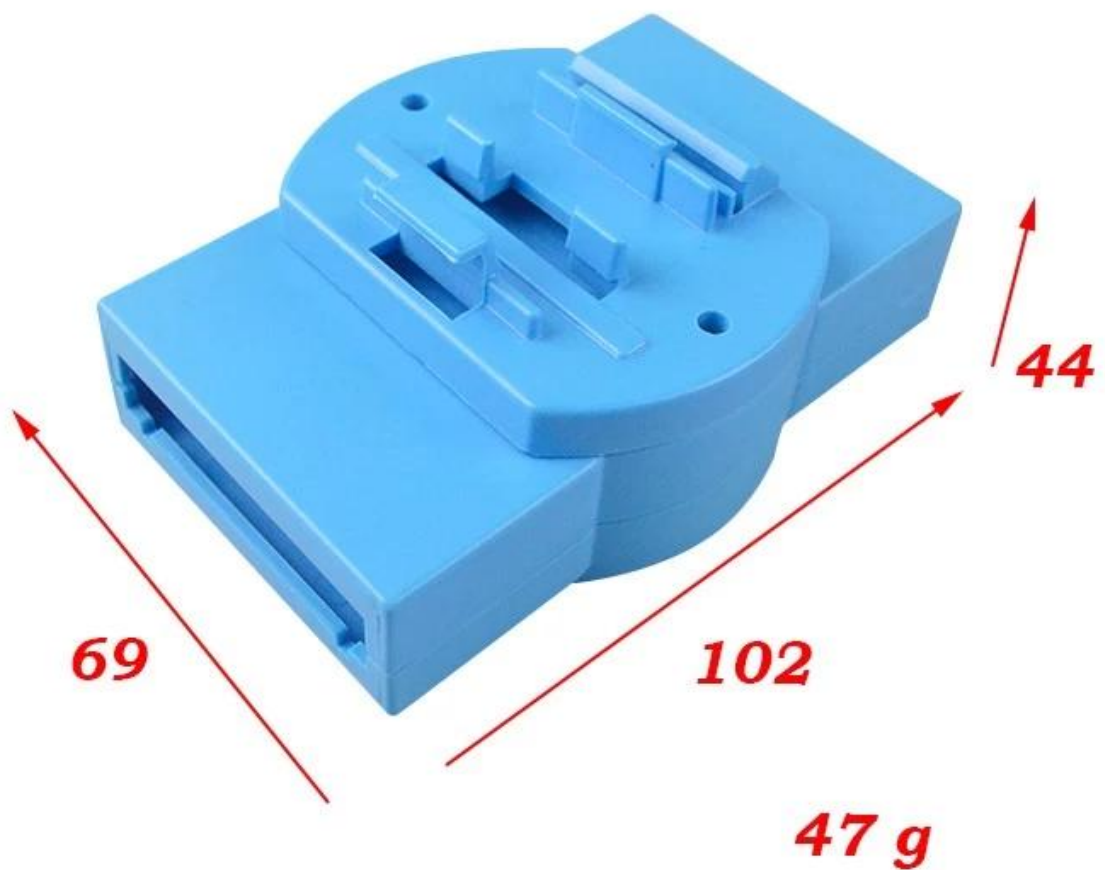
Applications:

It is widely used in electronics, instrumentation, automation, Communications, power supply units, student projects, amplifiers, Health care equipment, test and measurement equipment, Industrial control, peripherals and interfaces, the switch box.

Tips:

Welcome to contact us for more details and quotes electrical box Your inquiry will get prompt reply within 24 hours!

SZOMK





Email

paul@szomk.com.cn



skype

szomk-004



Tel

86-755-83222882

86 18979588642



Add

628Room,505 Building ,Shangbu industry,
Hangtian road ,Futian district ,Shenzhen,
China,518031



QQ

2804842423