

APPLICATION FIELDS

Universal use as installation case

Corresponding to the regulations of the machine-building and motorcar industry

Smart Factory / Industry 4.0

Especially for the control equipment for example lighting systems

About this item

1. 100 % ABS FR Flame Retardant UL94V-0 plastic material. With corrosion resistance, strong weather resistance, strong corrosion resistance.
2. Packing :Equipped with cover and side baffle plate. All accessories are packaged in small plastic bags.
3. The surface can be formed in a variety of colors to maximize your needs. Hardness, can protect your electronic products.
4. Customization service on request: drilling, changing the colour. silk screen logo ,CNC ,build Mold , engineering

What can we do for you?

1. MOQ: 30 pcs
2. Customized service : like cutting holes, print logo ,engraving ,sticker, and ect.
- 2 Change the abs plastic material to different ,such as ABS ,PC ,and change any color as you want.
- 3 delivery time is short, usually 3-5 days after payment (by quantity)
- 4 tips for your inquiry

ABS plastic enclosure

Transparent cover





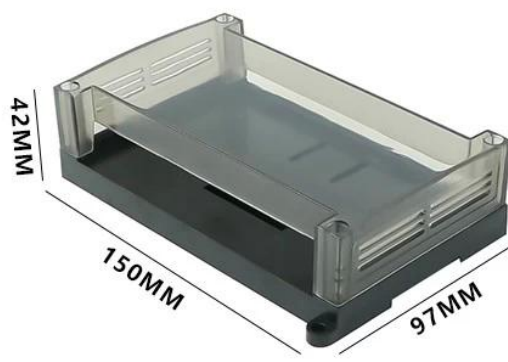
AK-P-35



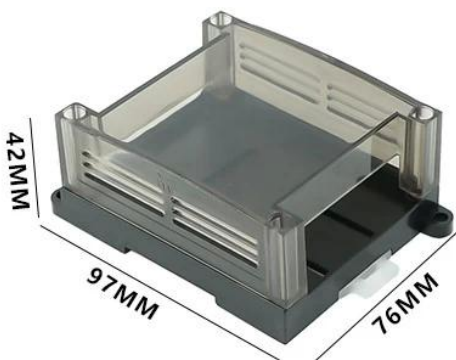
AK-P-36



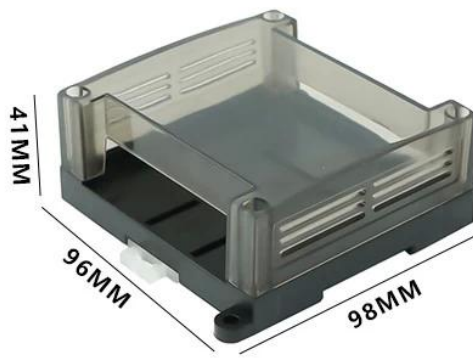
AK-P-37



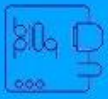
AK-P-38



AK-P-39



AK-P-40



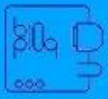
SZOMK

Size:65*54*18mm



Weight:25g

AK-P-41



SZOMK

Size:65*54*18mm



Weight:25g

AK-P-41