

It is widely used in electronic, instrumentation, automation, communications, power supply units, student projects, amplifiers, Medical and wellness devices, test and measurement equipment, industrial control, peripheral devices and interfaces, switch boxes.



Advantages of abs plastic control GPS tracker enclosure box

1. Has a strong resistance to abrasion, weathering, corrosion.
2. Can be formed on the surface of a variety of colors, to maximize fit your requirements.
3. Have a strong hardness, can be well protected your electronics.

What we can do for you

- 1 Drilling, Punching, etc. Welcome to provide drawings custom.
- 2 Powder Coating, Brush, Polish, Silkscreen, Laser Carve, Sticker, Engraving, Acrylic Sheet.
- 3 Short lead time, normally 3-5 days after payment (according to quantity)
- 4 Prompt response for your inquiry

Detailed pictures of abs plastic control GPS tracker enclosure box

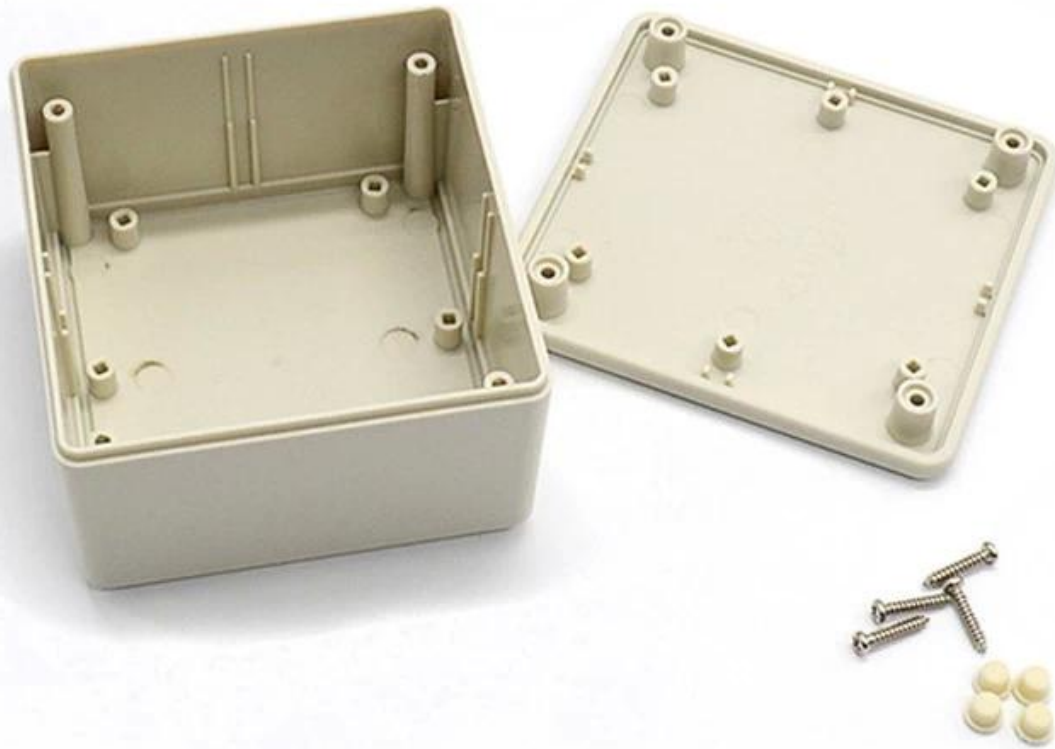
SZOMK



▶ **Enclosure Manufacturer**
www.chinaenclosure.com

SZOMK

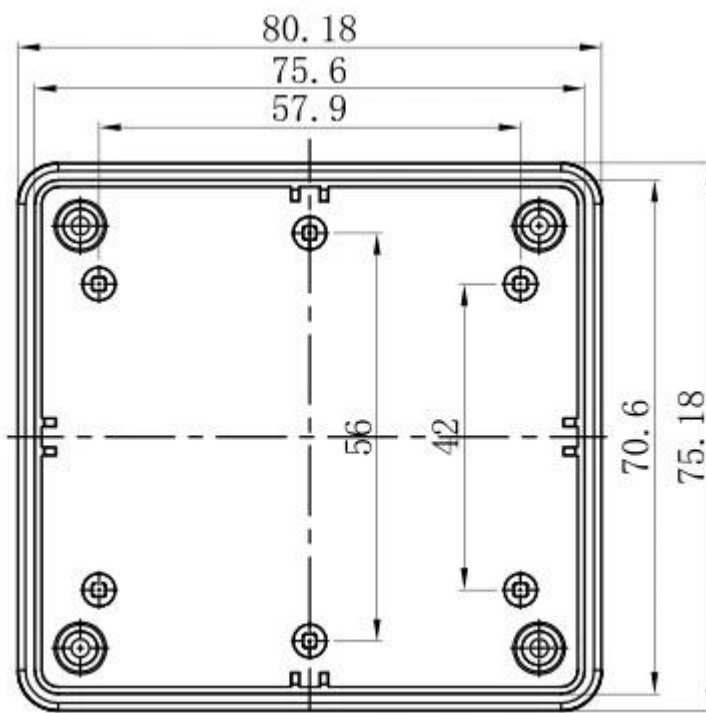
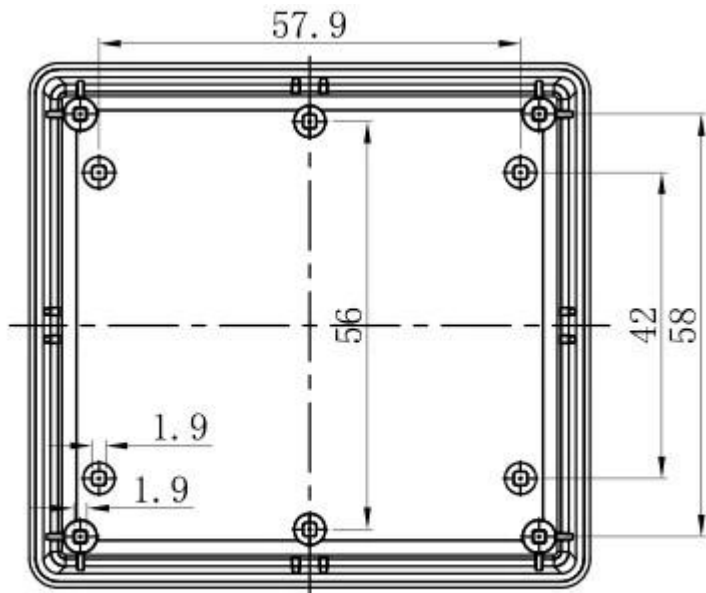
Customizable
cutout, sticker
silkscreen, color

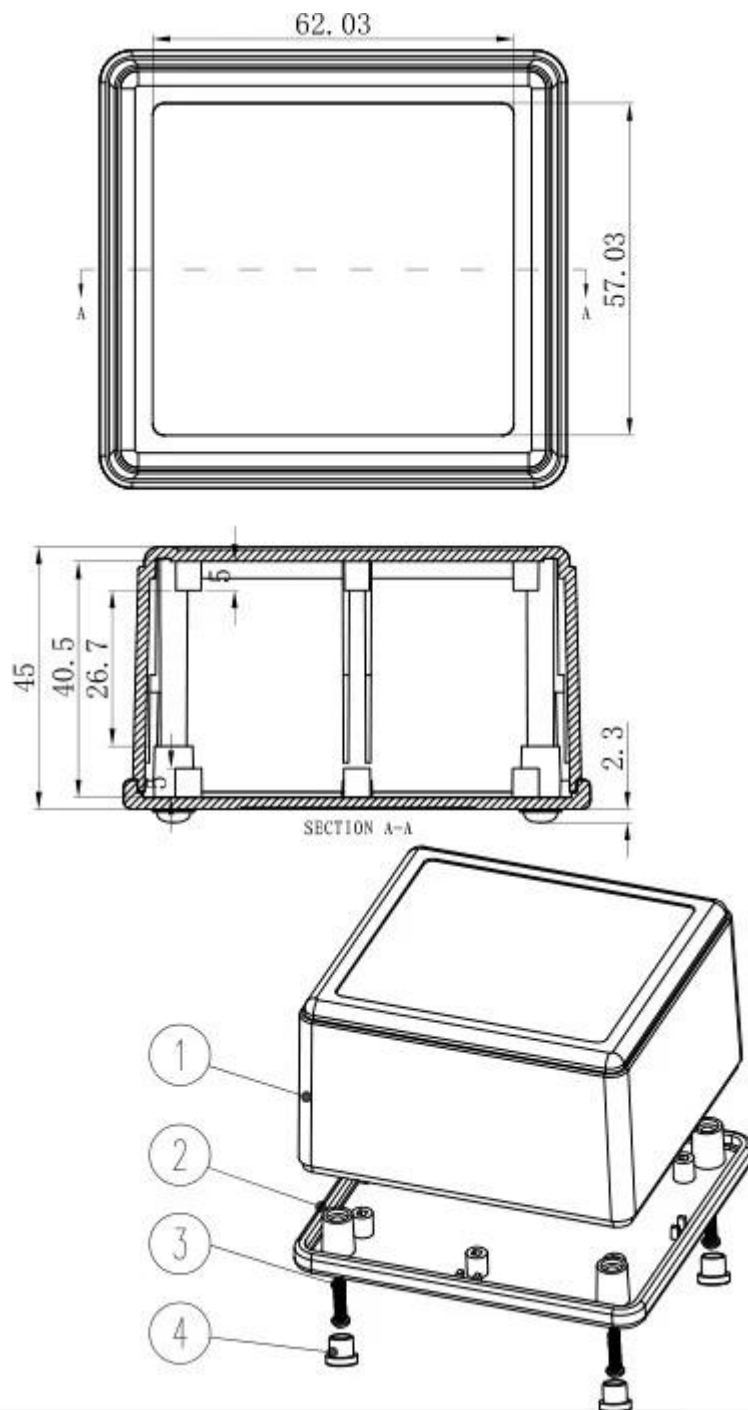


Weight: 55g
Model No. AK-S-10

Size: 3.14*2.95*1.77 inch
80*75*45 mm

Detailed drawings





Other customization



SZOMK

WE CAN DO

- ✓ *Provide thousands of public enclosure* MOQ: 1 piece
- ✓ *Small order custom* MOQ: 20-30 pcs
- ✓ *Design private custom enclosure (provide PCB)*
- ✓ *Molding, tooling (provide sample / STEP file)*



cutout, laser engrave, screen printing, sticker, acrylic plate, pvc label, color, silica gel rings, etc.

WE CAN DO

For **HOUSING** some of the Processing,
Openings, Screen, Stickers, PVC LABEL



Packing and shipping methods



Our packaging

Plastic foam packaging



Metal shell packaging



Plastic box packaging



Packaging & Shipping



Contact us



Email

jamila@szomk.com.cn



skype

szomk-004



Tel

86-755-83222882

86-18684887280



QQ

2804842423



WhatsApp

86-18684887280



Add

616Room,505 Building ,Shangbu industry,
Hangtian road ,Futian district ,Shenzhen,
China,518031