

Punching small size plastic enclosure project case junction box DIY for PCB circuit board Split box 25 \* 36 \* 77mm

[Punching small size plastic enclosure](#) show:

SZOMK

*Customizable  
Cutout, sticker  
Silkscreen, color*



Weight: 17g

Size: 25\*36\*77 mm

Model No. AK-W-57

0.98\*1.42\*3.03 inch

SZOMK

*Customizable  
Cutout, sticker  
Silkscreen, color*



Weight: 17g

Size: 25\*36\*77 mm

Model No. AK-W-57

0.98\*1.42\*3.03 inch

SZOMK

*Customizable  
Cutout, sticker  
Silkscreen, color*



Weight: 17g

Size: 25\*36\*77 mm

Model No. AK-W-57

0.98\*1.42\*3.03 inch

SZOMK

Customizable  
Cutout, sticker  
Silkscreen, color



Weight: 17g

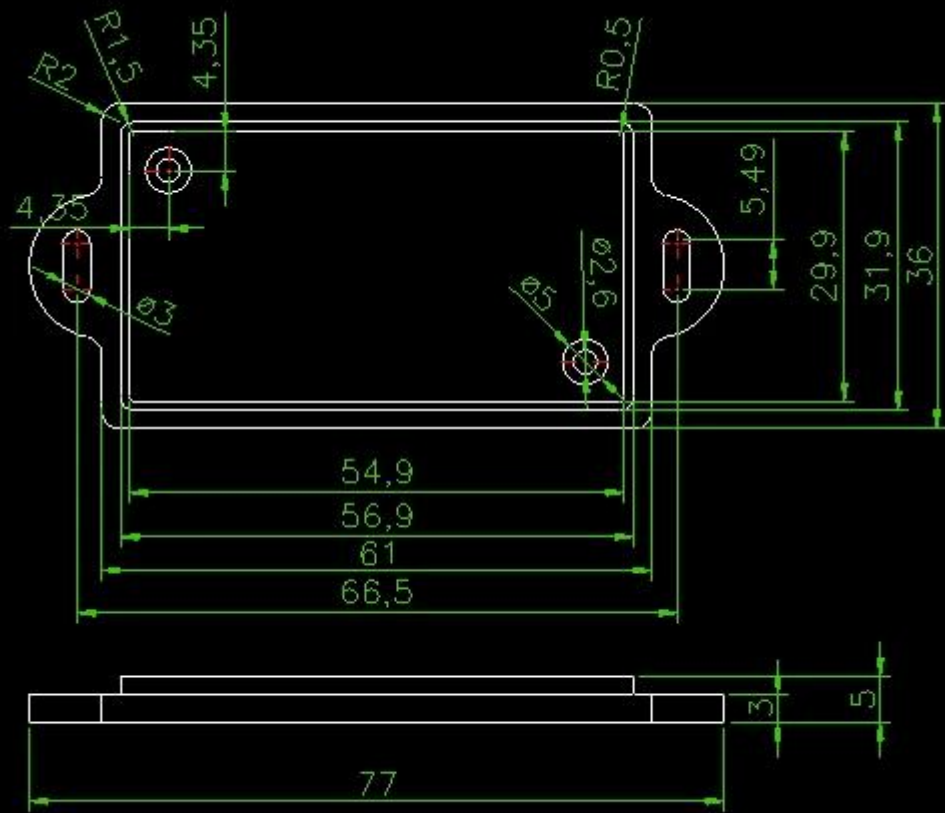
Size: 25\*36\*77 mm

Model No. AK-W-57

0.98\*1.42\*3.03 inch

Type	Wall mount plastic enclosure
Model.No	AK-W-57
Size	25X36X77mm
Weight	17g
Color	black&custom other colors

[Project case junction box](#) drawing:



We are pleased to offer you:



- 1 Drilling, punching, etc. Welcome any drawings
- 2 drilling, screen printing, laser engraving, stickers and so on
- 3 short delivery time, usually 3-5 days after payment (according to the number)
- 4 for an accepted response to your inquiry

Applications:



It is widely used in electronics, instrumentation, automation, communication, power supply units, student projects, amplifiers, health care equipment, test and measurement equipment, industrial control, peripherals, interfaces.

### [Plastic junction box enclosure](#) delivery:

Standard stock product	1-3working days
Custom product in stock	3-10working days
Custom product out of syock	10-20working days

### Tips:

Welcome to contact us for more details and quotes electrical box Your inquiry will get prompt reply within 24 hour.