

SZOMK abs plastic enclosure waterproof plastic boxes hand held enclosures manufacturers

Product Show



Product Specifications:

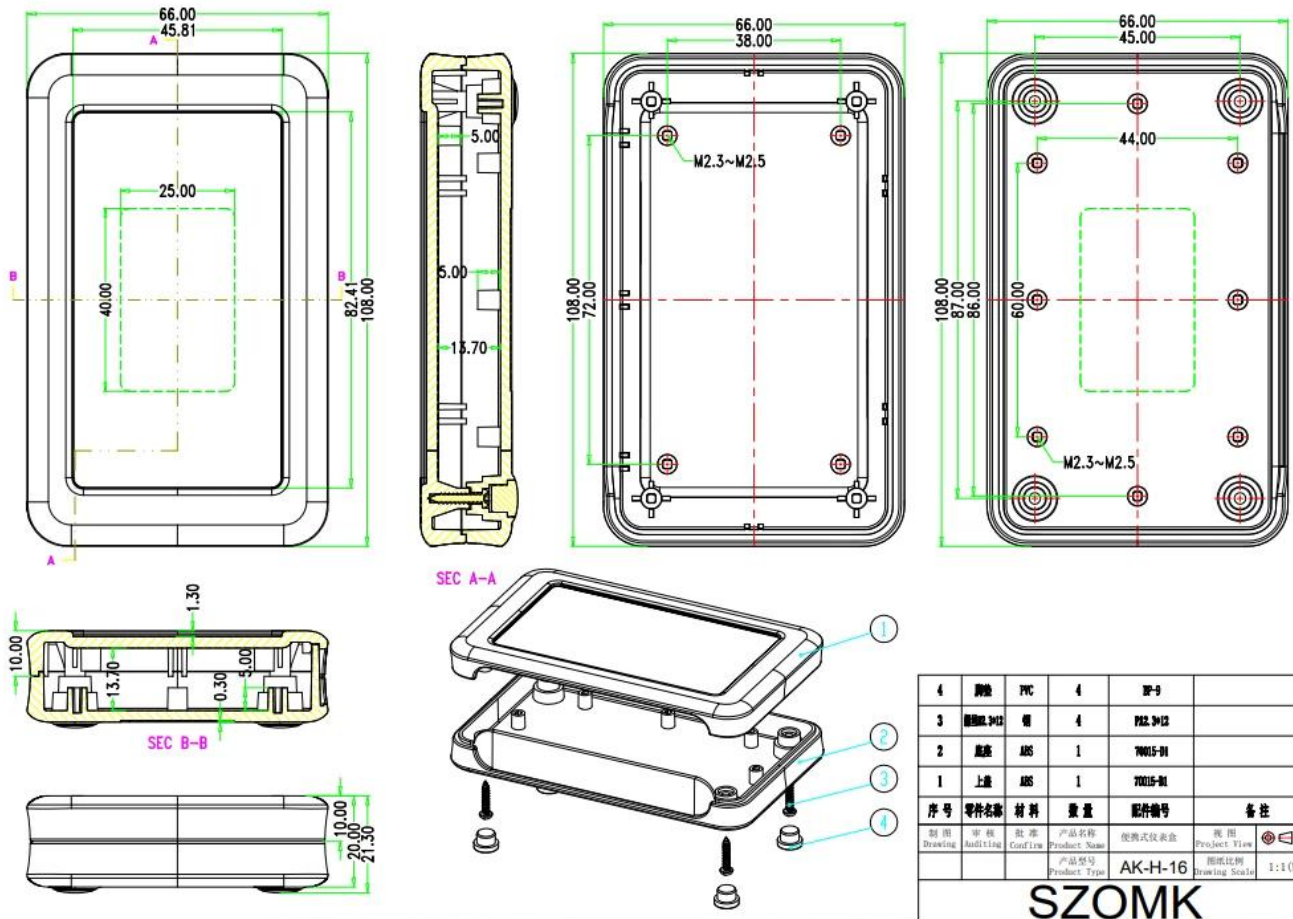
ENCLOSURE PROVIDE ONE-STOP SERVICES

Type	plastic handheld enclosures
Model No.	AK-H-16
Size	108X66X20 mm/4.25*2.6*0.79 inch
Weight	49g
Body Color	Black/White/Transparent and can be customized
Side Color	Orange/green/gray and also can be customized
Material	ABS Plastic
Customized Service	cut-out/silkscreen/laser engraving/sticker/Tapping/Laser cutting and so on
Drawing	PDF/CAD/3D
Advantage	can do small order DIY customized

Advantages for hand held plastic enclosure

1. Has a strong resistance to abrasion, weathering, corrosion.
2. Can be formed on the surface of a variety of colors, to maximize fit your requirements.
3. Have a strong hardness, can be well protected your electronics.

Drawing Show



What we can do for you?About abs plastic enclosure manufacturers



1. We provide thousands of public enclosure and we have some goods in our stock.

MOQ:1 pcs

2. We can do DIY small order custom service-----MOQ:20-50 pcs

3. We can design private custom enclosures(if you provide PCB)

4. To private mold customization (Provide sample or STEP file)

6. Customized service: cutout/mold/Acrylic plate/PVC label/Silkscreen/laser engraving/sticker/silicone/change color and so on.

Who we are?



Company Profile



High Quality Enclosure One-stop Service

SHENZHEN OMK ELECTRONICS CO.,LTD is now one of the largest suppliers of all kinds of plastic and metallic enclosures in different fields of electronic, electrical, communication, medi-cal, industrial and research projects purposes, we have more than 1000 moulds, and we can do cutout, silkscreen, lable, sticker, laser carve and creat a new mould for you in today's industrial world and with the rapid development of all indus-tres, the need of these products is sensed more than ever, meet these needs and help you to reach your ideals.

SZOMK ADVANTAGE:



R&D
CUSTOMIZE



Advanced
TECHNOLOGY



Strictly
QUALITY CONTROL



Excellent
SERVICE TEAM



Certificated iso,quality assurance
Certificated FCC &CE

Small order	It's no problem MOQ=1
QTY order	High quality short delivery time
Urgent order	Urgent order no problem how many pcs finished we will sending to you at once

Packing&delivery for waterproof plastic boxes

Packing:

- 1) enclosure industrial packing by poly bag
- 2) then by export standard carton
- 3) as customer request

Delivery:

Standard stock product	1-3 working days
Custom product in stock	3-10 working days
Custom product out of stock	10-20 working days

Remarks: Every customer situation is different, please contact our sales confirmation for details.