

We are pleased to provide you with:

- 1 Drilling,Punching ,etc. Welcome to provide drawings custom.
- 2 Silkscreen ,Laser Carve, Sticker ,etc.
- 3 Short lead time,normally 3-5 days after payment(according to quantity)
- 4 Prompt response for your inquiry

Applications:

It is widely used in electronic, instrumentation, automation, communications, power supply units, student projects, amplifiers, Medical and wellness devices, test and measurement equipment, industrial control, peripheral devices and interfaces, switch boxes.

Warm Prompt:

Welcome to contact us for more details and quotations for electrical box ,your inquiry will surely get prompt response in 24 hours!

Here are more pictures for electrical box :

SZOMK



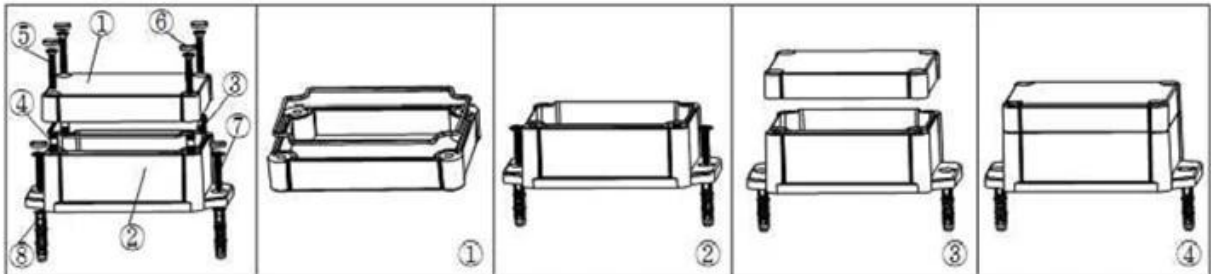
SZOMK



SZOMK



SZOMK



①



Epitheca (1PCS)
Material:ABS
Color:Light Grey(FS20412)

②



Hypotheca (1PCS)
Material:ABS
Color:Light Grey(FS20412)



Gasket (1PCS)
Material:Rubber



Copper Nut(6PCS)
Material:Copper
Standard:M4*10
Color:Copper



Grub Screw(6PCS)
Material:Stainless Steel
Standard:M4*25



Screw Lid(6PCS)
Material:ABS
Color:Light Grey(FS20412)

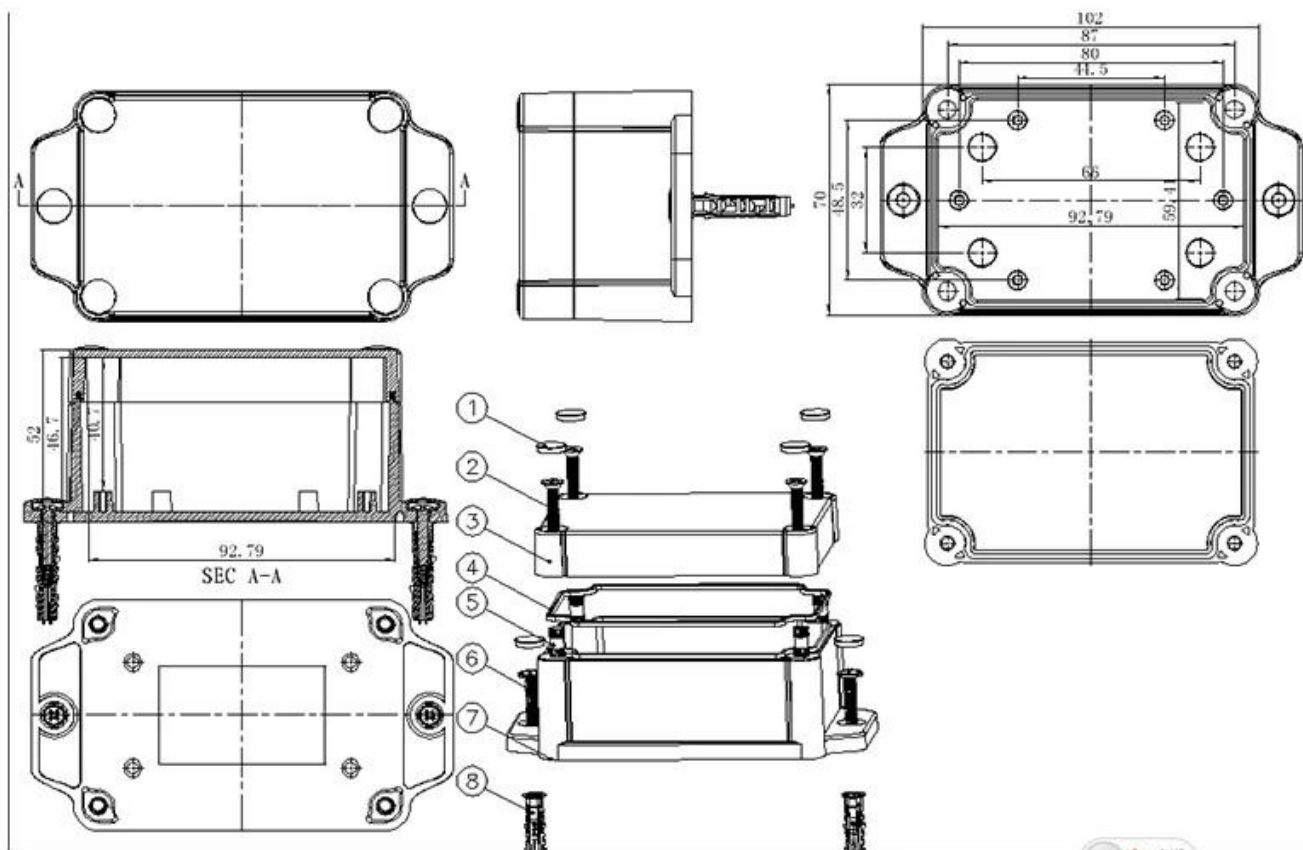


Self-Tapping Screw(4PCS)
Material:Iron
Standard:M4*30



Wall Nail(4PCS)
Material:PP
Color:Light Grey(CM906)

SZOMK



[Contact us](#)



T/T, WESTERN UNION, MONEY
GRAM AND PAYPAL ACCPETED.

Skype: 13691908154

Tel: +86 13691908154

E-mail: galaxie@szomk.net

[Contact Us](#)