

## Features:

- 1, the product has a separate boxes and cartons.
- 2, the wall and the shell wall screw, the decorative sheet (grinding screw position).
- 3, with a simple (client) to match the screw
- 4, all of pouch packaging.
- 5, the product is made of a plastic material
- 6, respectively, according to their needs and drilling.

## Main purpose:

In the wall-mounted meter boxes and geographical differences in the different names are used for different industrial main junction boxes, meter boxes, electronic products, such as Shell, is mainly used for indoor and outdoor electrical, communications, fire fighting equipment, iron, electronics, electricity, railways, construction sites, cocks, airports, hotels, large factories, pollution range.

## Customization service we offer

- 1, cutout / cut holes
- 2, Silk screen / Print Logo
- 3, Sticker
- 4, Make new abrasives
- 5, Change color

**SZOMK**



▶ **Enclosure Manufacturer**  
[www.chinaenclosure.com](http://www.chinaenclosure.com)

**SZOMK**

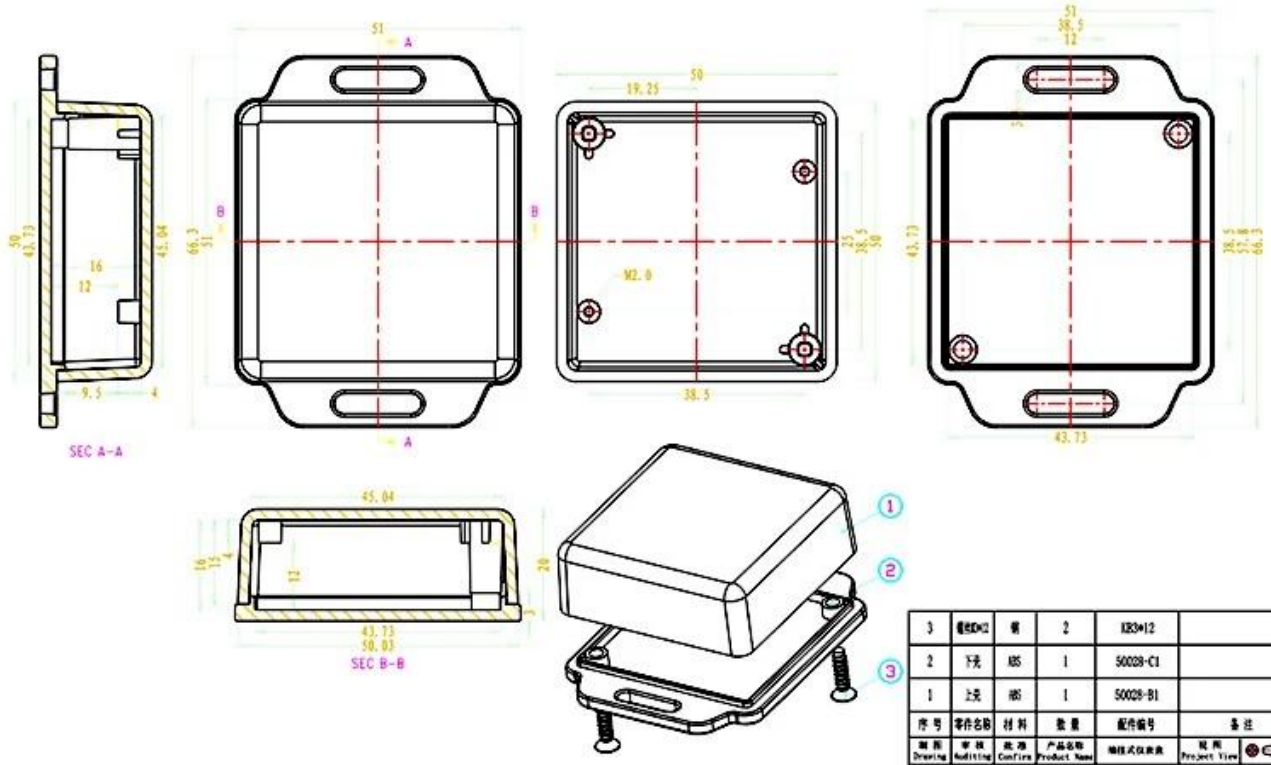


**SZOMK**



**SZOMK**





3	螺丝M2	颗	2	X20*12	
2	下壳	ABS	1	S0028-C1	
1	上壳	ABS	1	S0028-B1	
序号	零件名称	材料	数量	配件编号	备注
制图	审核	批准	产品名称	规格式样标准	规格
Drawing	Authiting	Confine	Product Name		Project Type
			产品型号	品牌	规格比例
			Product Type	EMW S0028	Drawing Scale
					1:1.000

emily@szomk.com.cn



QQ

2406659781



Tel

86-755-83222882

86-18598241813



Add

628Room,505 Building ,Shangbu industry,  
Hangtian road ,Futian district ,Shenzhen,  
China,518031



Email

emily@szomk.com.cn



skype

szomk1010