

It is widely used in electronic, instrumentation, automation, communications, power supply units, student projects, amplifiers, Medical and wellness devices, test and measurement equipment, industrial control, peripheral devices and interfaces, switch boxes.



Advantages of abs standard housing box custom plastic instrument enclosure

1. Has a strong resistance to abrasion, weathering, corrosion.
2. Can be formed on the surface of different colors, to meet your requirements as well as possible.
3. Have a strong hardness, can protect your electronics well.

What we can do for you

- 1 Drilling, punching, etc. Welcome to provide tailor-made drawings.
- 2 powder coating, brush, polish, screen printing, laser cutting, sticker, engraving, acrylic sheet.
- 3 short lead time, normally 3-5 days after payment (according to quantity)
- 4 Quick response for your request

Detailed pictures of abs standard housing box custom plastic instrument enclosure

SZOMK



▶ **Enclosure Manufacturer**
www.chinaenclosure.com

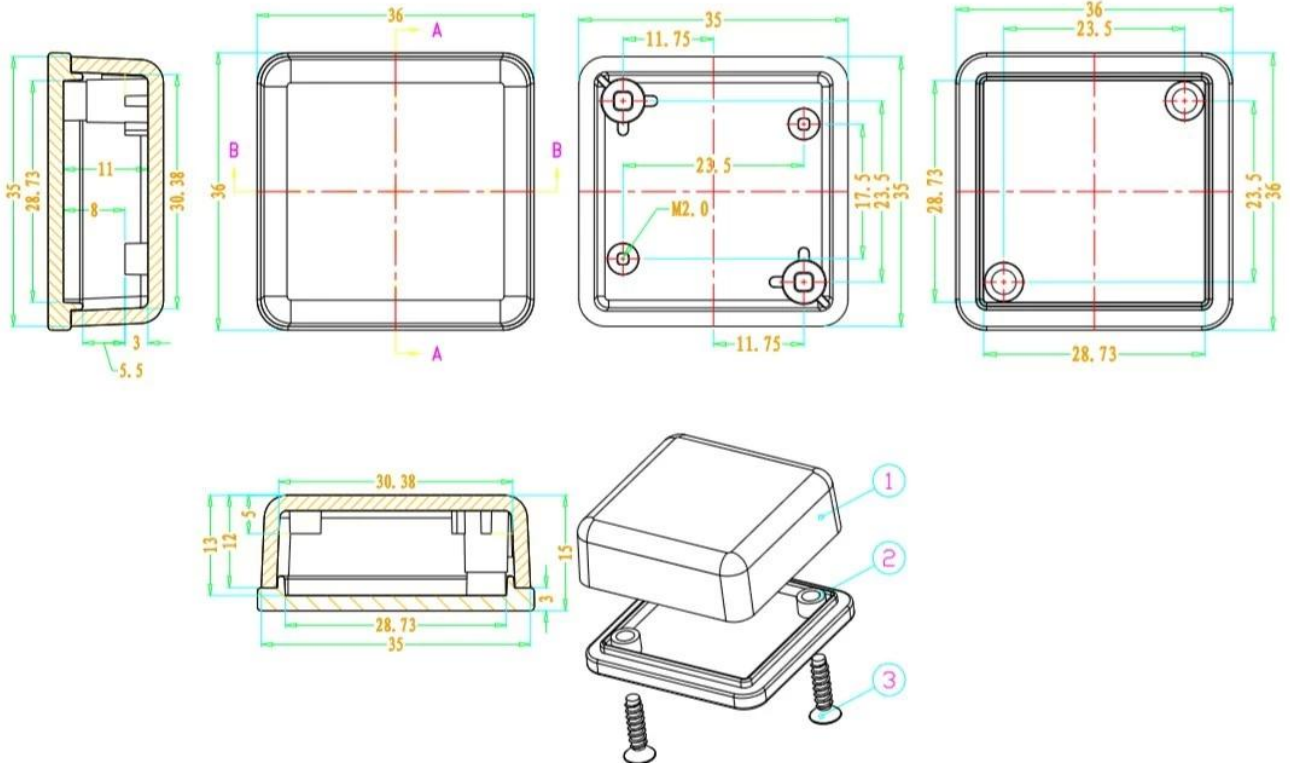
SZOMK

Customizable
cutout, sticker
silkscreen, color



Weight: 9g
Model No. AK-S-107

Size: 1.42*1.42*0.59 inch
36*36*15 mm



Other customization



WE CAN DO

- Provide thousands of public enclosure** MOQ: 1 piece
- Small order custom** MOQ: 20-30 pcs
- Design private custom enclosure (provide PCB)**
- Molding, tooling (provide sample / STEP file)**

cutout, laser engrave, screen printing, sticker, acrylic plate, pvc label, color, silica gel rings, etc.



WE CAN DO

**For HOUSING some of the Processing,
Openings, Screen, Stickers, PVC LABEL**





Packaging and shipping methods

SZOMK

Our packaging

Plastic foam packaging



Metal shell packaging

Plastic box packaging



Packaging & Shipping



Contact us



QQ

2110283100



Tel

81-755-83222882
+86 18819074698



Add

16-6Floor, 505Building ,Shangbu Industry
Area, Hangtian RD, Futian District ,Shenzhen
China



Email

teddy@szomk.net



skype

teddy@szomk.net



WeChat

teddy07277