

Here is our customize service:

1. Change the length
2. Change color
3. Polishing
4. Sandblasting
5. Brushed aluminum foil
6. Cut hole
7. Laser carve
8. PVC label
9. Acrylic plate
10. Screen

Use:

It is widely used in electronics, instrumentation, automation, communication, power supply unites, student projects, amplifiers, healthcare equipment, test and measurement equipment, industrial control, peripherals devices and interfaces, switch boxes.

Attention:

Welcome to contact us for more details and quotations of our enclosure, your inquiry will surely get prompt response in 24 hours. :-)

**SZOMK**

**Customizable  
Cutout, sticker  
Silkscreen, color**



**Weight: 67 g    Size: 5.12\*2.87\*0.91 inch  
Model No. AK-H-51    130\*73\*23 mm**

**SZOMK**



**SZOMK**



**SZOMK**

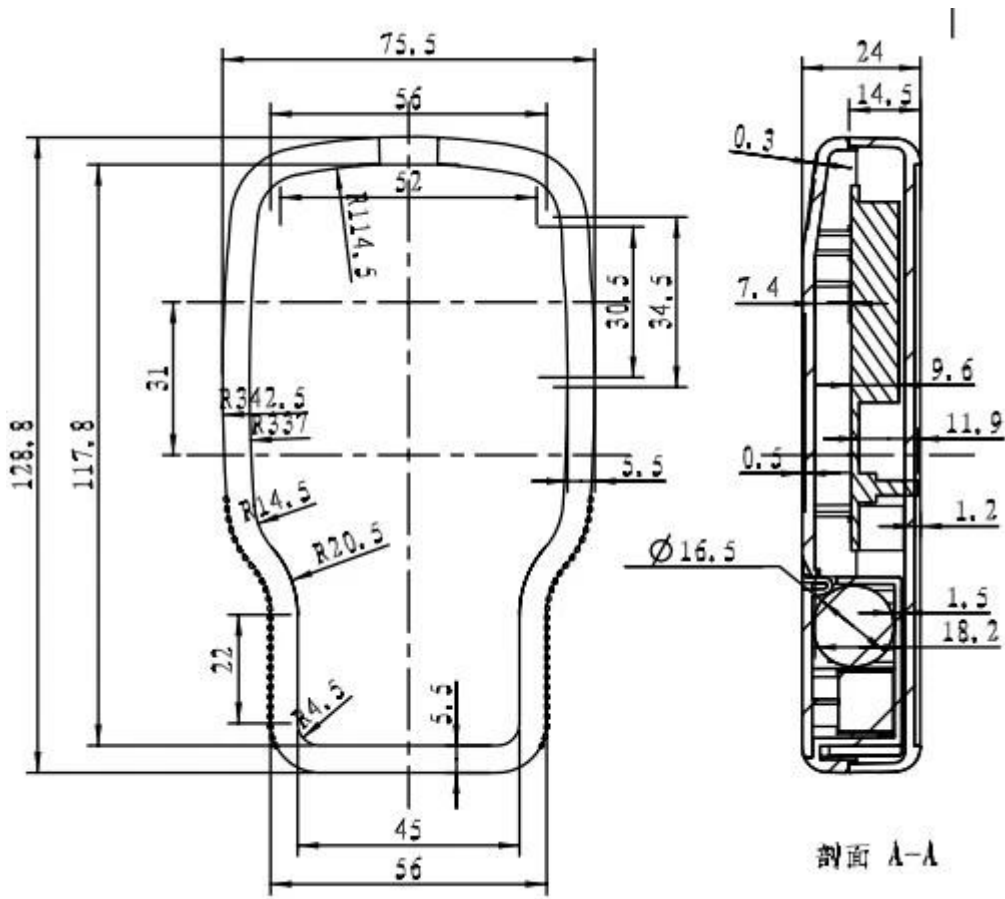


**SZOMK**



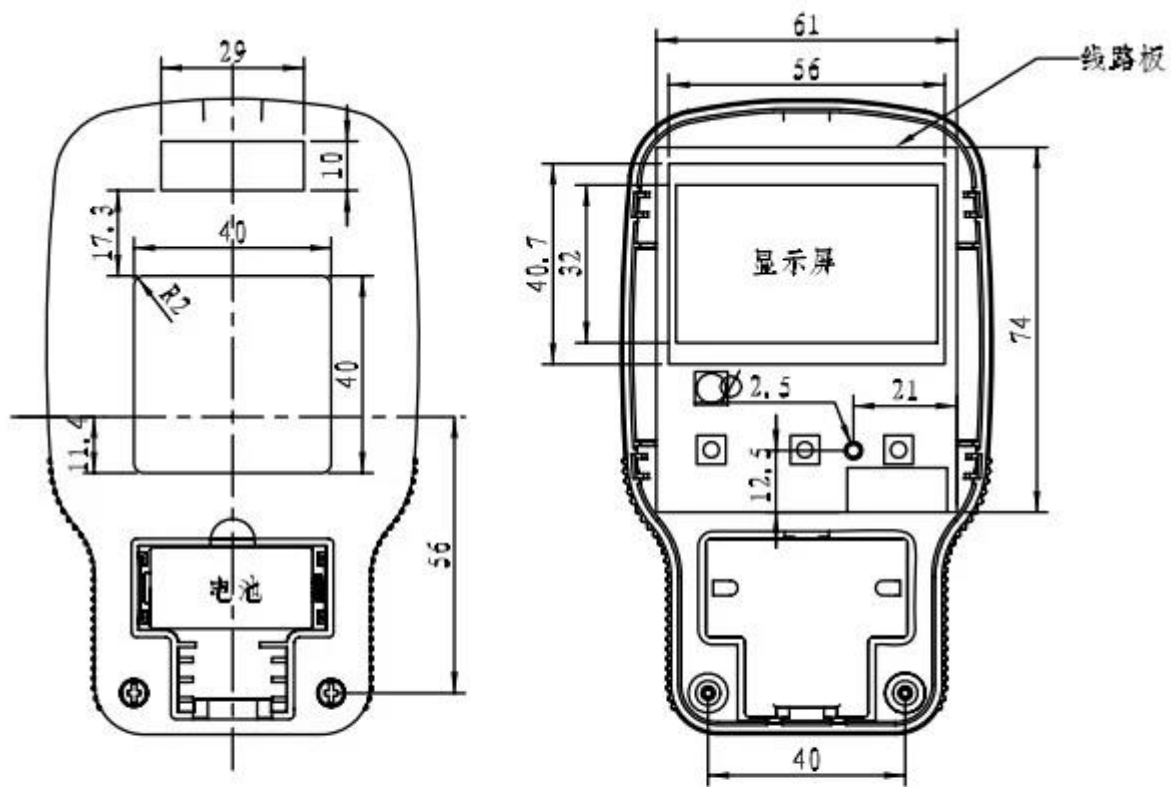
**SZOMK**





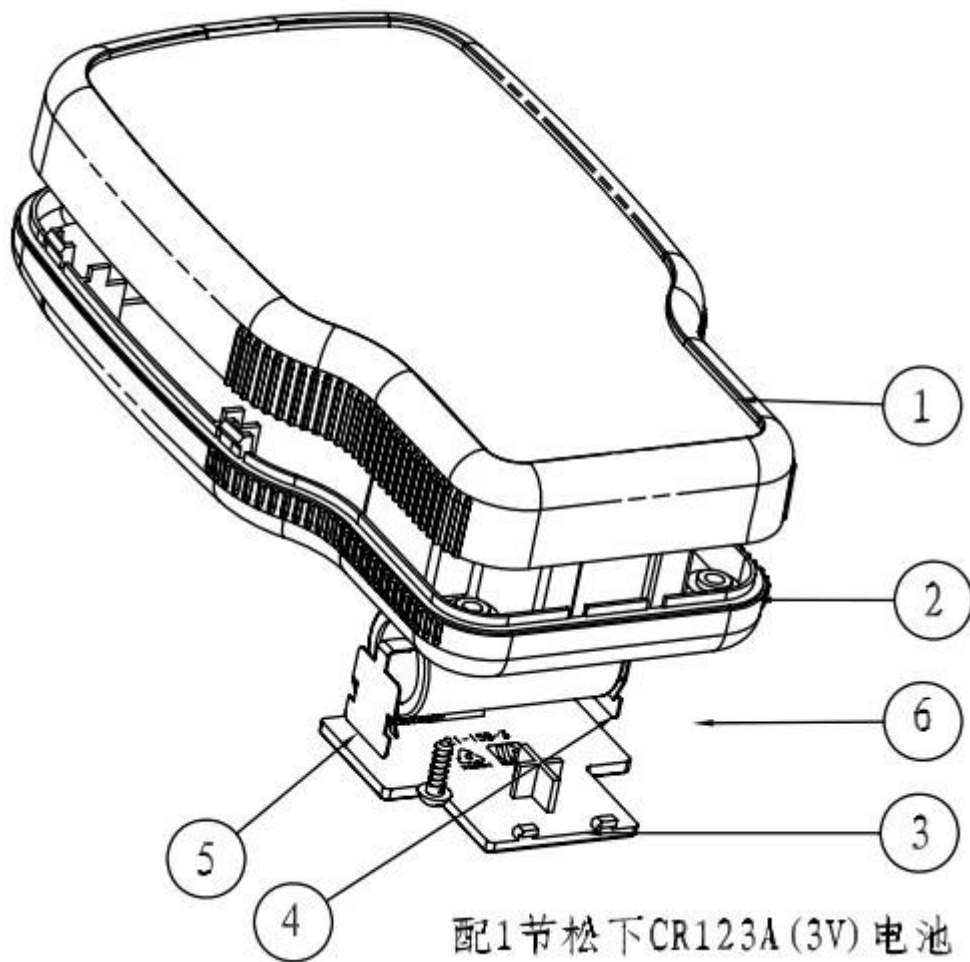
剖面 A-A





下盖正视图

剖面 2-2





QQ

505924585



Tel

86-755-83222882  
86-13028816914



Add

628Room,505 Building ,Shangbu industry,  
Hangtian road ,Futian district ,Shenzhen,  
China,518031



Email

[lily@szomk.net](mailto:lily@szomk.net)



skype

szomk006